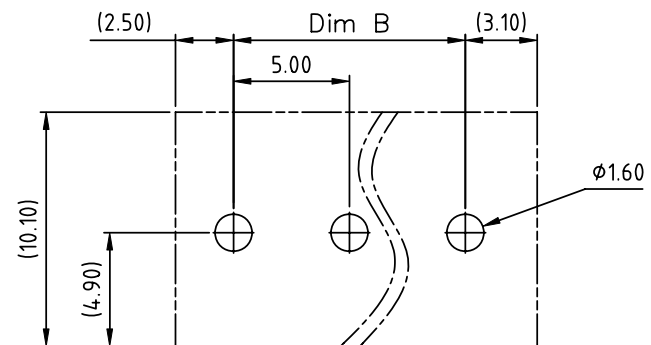
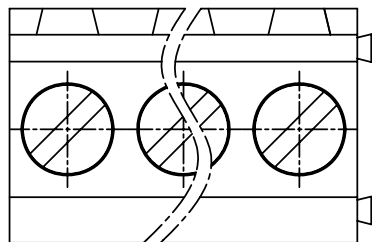
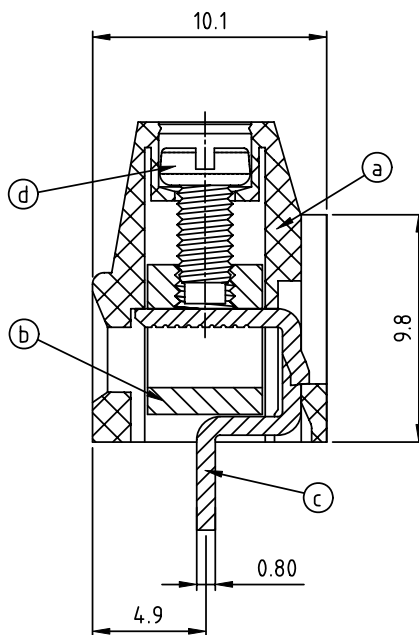
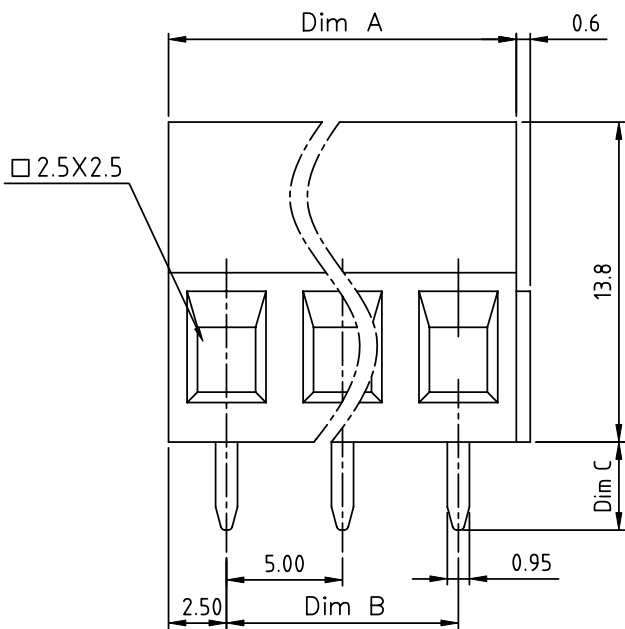


| | |
|----------------|---------|
| PRODUCT NUMBER | PITCH |
| YDxx01xx00J0G | 5.00 mm |



RECOMMENDED P.C.B LAYOUT
TOP VIEW



Material:

- Item (a) Terminal housing : Thermal plastic resin (UL 94V-0)
- Item (b) Clamp : Copper alloy ,Ni plated
- Item (c) Solder pin : Copper alloy ,Tin plated
- Item (d) Terminal screw: Steel Zinc plating"-slot type

Electrical UL

- Voltage rating: 300VAC
- Current rating: 10A
- Wire range:
- Solid wire(AWG): 12-24
- Stranded wire(AWG): 12-24
- Torque(Lb-In): 3.5
- Screw: M2.5
- Wire strip length: 6-7mm
- Withstanding Voltage: 1.6KV
- Operating temperature: -40°C to +115°C
- Soldering temperature: 260°C±5°C/5 Sec
- Safety Approval:

PART NO.: YD xx 0 1 x x 00J0 G

N=NUMBER OF POLES

| |
|------------------|
| Dim A=N×5.00 |
| Dim B=(N-1)×5.00 |

| POLES | Dim L & B Tolerance |
|---------|---------------------|
| 2P-6P | ±0.15 |
| 7P-12P | ±0.20 |
| 13P-18P | ±0.30 |
| 19P-24P | ±0.40 |

| End stackable | No. of poles | Color | Dim C | RoHS compliant |
|---------------|--------------|-------------------|-------|-----------------|
| 0 | 2 | Black (RAL9005) | 0 | (lead<4%) |
| 02 | 3 | Red (RAL3001/D) | 1 | In copper Alloy |
| 03 | 4 | Orange(RAL2011/P) | 3.8mm | |
| ... | ... | Yellow(RAL1018/A) | 3.5mm | |
| 24 | 5 | Green(RAL6018/T) | | |
| | 6 | Blue (RAL5015/A) | | |
| | 8 | Grey(RAL7035/D) | | |
| | 9 | White(RAL1102) | | |
| | C | Green(RAL6018/U) | | |

| mat'l. code | | | | surface | tolerance | projection | product family | |
|-------------|----------|---|-------|---------------------------------------|-------------------|------------|--|--|
| | | | | ASME Y14.5 | ASME Y14.5 | | TERMINAL BLOCK | |
| | | | | tolerances unless otherwise specified | | MM | title | |
| | | | | angles | X.±0.5 | | TERMINAL BLOCK | |
| | | | | ± | X.X±0.3 | | RISING CLAMP, 180D WIRE INLET, END STACKABLE | |
| | | | | X*±1" | X.XX±0.1 | scale | dwg no | |
| | | | | dr | EVIN ZHONG 040914 | | sheet 1 of 1 | |
| | | | | enr | EVIN ZHONG 040914 | | size | |
| | | | | chr | HANKE FENG 040914 | | A4 | |
| | | | | appd | SHI JUN 040914 | type | CUSTOMER Drawing | |
| sheet index | revision | A | sheet | 1 | | | | |