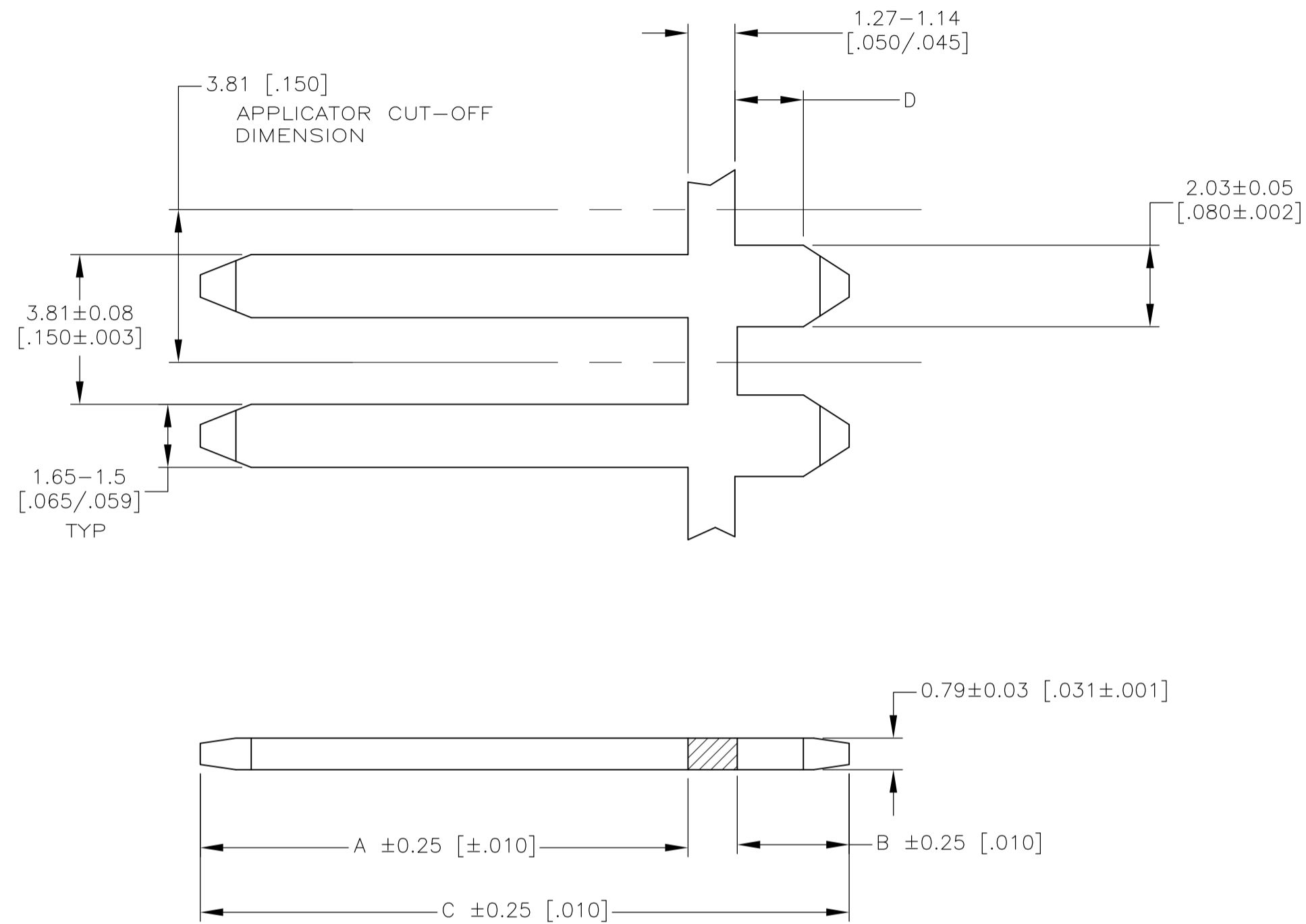


THIS DRAWING IS UNPUBLISHED. RELEASED FOR PUBLICATION
 © COPYRIGHT BY TYCO ELECTRONICS CORPORATION. ALL RIGHTS RESERVED.

LOC	DIST	REVISIONS				
P	LTR	DESCRIPTION	DATE	DWN	APVD	
AD	00	E	ECO-07-020237	11SEP07	MB	JO



1. RECOMMENDED HOLE SIZE 1.98 ± 0.05 [.078 ± .002] DIA.
2. THIS POST IS NOT COMPATIBLE WITH TERMI-POINT APPLICATIONS
3. $0.00254 - 0.00508$ [.000100 - .000200] BRIGHT TIN OVER 0.000762 [.000030] NICKEL
4. THE ENDS OF THE CONTACT STRIP SHALL NOT BE PHYSICALLY ATTACHED TO EACH OTHER AT THE LOCATION OF ANY REQUIRED SPLICES.

	1.78-1.52 [.070-.060]	3	16.20 [.638]	2.79 [.110]	12.19 [.480]	147506-2
OBSOLETE	2.03-1.88 [.080-.074]	3	18.16 [.715]	4.75 [.187]	12.19 [.480]	147506-1
	D	FINISH	C	B	A	STRIP PART NUMBER

THIS DRAWING IS A CONTROLLED DOCUMENT.		DWN B. HAYMAKER	31AUG00	Tyco Electronics Tyco Electronics Corporation Harrisburg, PA 17105-3608		
DIMENSIONS: INCHES		CHK M. ZITTO	17NOV00	NAME		
TOLERANCES UNLESS OTHERWISE SPECIFIED:		APVD M. ZITTO	17NOV00	CONTACT, MOD I, MALE, .031 X .062		
0 PLC ± -		PRODUCT SPEC		APPLICATION SPEC		
1 PLC ± -		APPLICATION SPEC		SIZE	CAGE CODE	DRAWING NO
2 PLC ± -		MATERIAL		A2	00779	C=147506
3 PLC ± -		FINISH		RESTRICTED TO		
4 PLC ± -		SEE TABLE		CUSTOMER DRAWING		
ANGLES ± -		WEIGHT		SCALE	SHEET	REV
				8:1	1 of 1	E