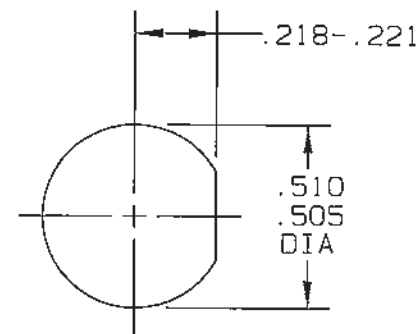
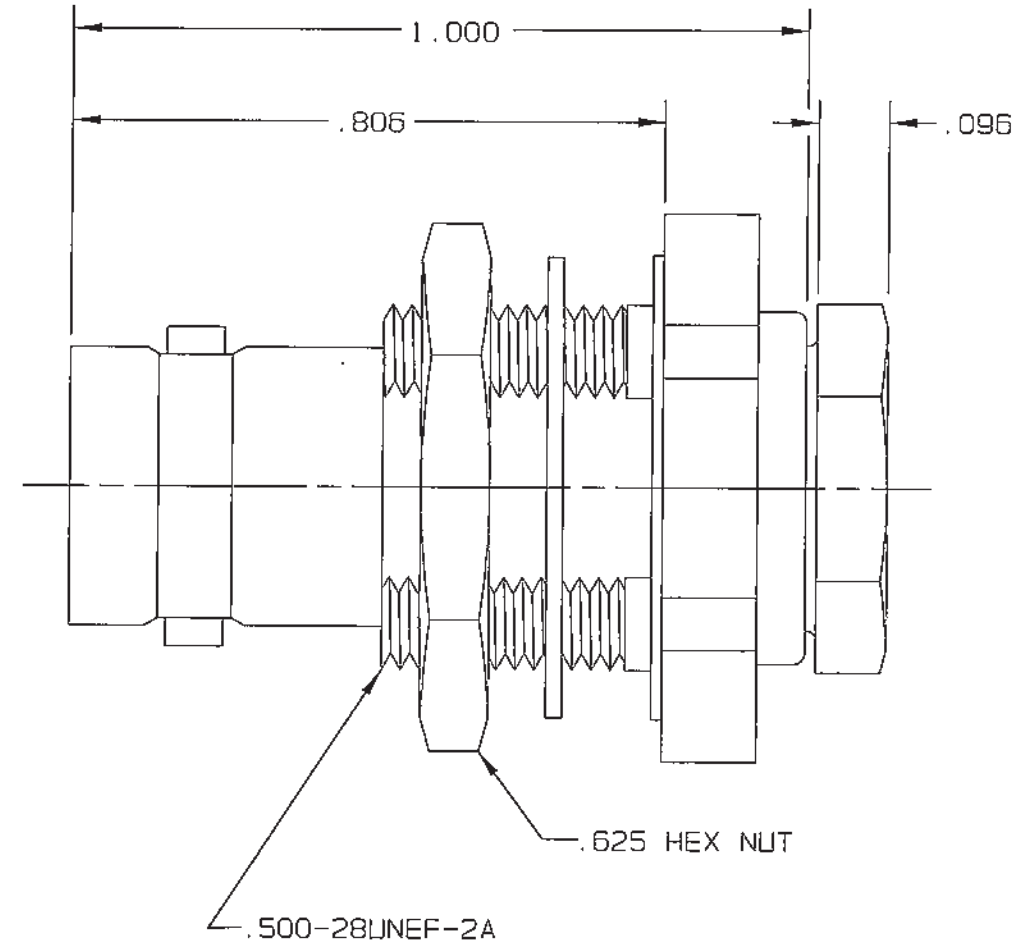
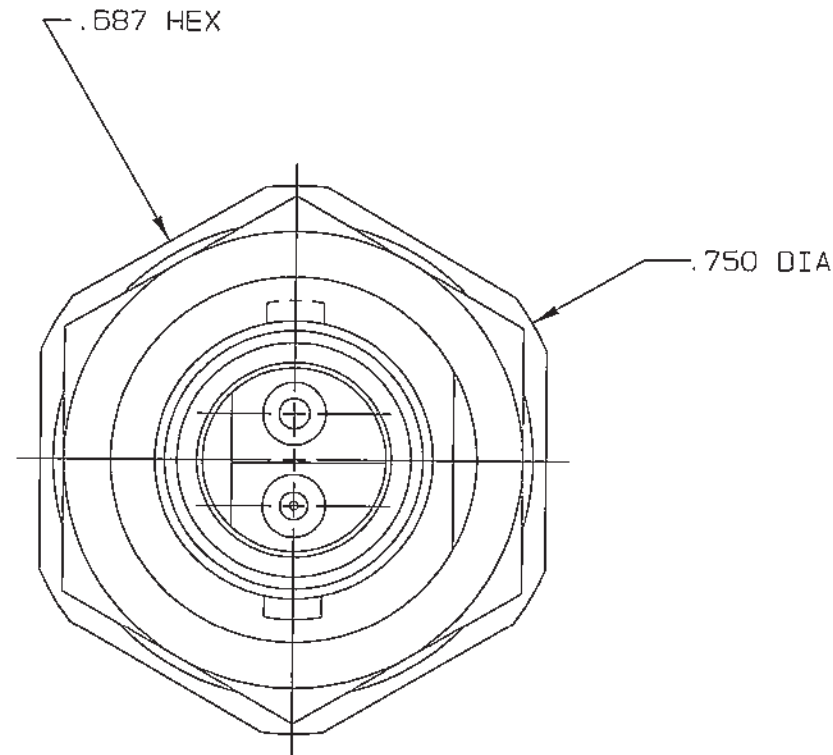


| DASH NO | CABLES ACCOMMODATED | ASSEMBLE PER |
|---------|---------------------|--------------|
| -9 | TWC-78-2/TWC-124-2 | TAI-121 |
| -25 | T-43M GENERAL | |
| -27 | 202-3927 MICRODOT | |
| -29 | TWC-78-1/TWC-124-1A | |
| -35 | TWC-124-1 | |
| -47 | MIL-C-17/176-00002 | |
| -49 | TWAC-78-1F2 | |
| -55 | 89272, BELDEN | |

DATA CONTAINED IN THIS DOCUMENT IS PROPRIETARY TO TROMPETER ELECTRONICS INC. AND SHALL NOT BE DISCLOSED, COPIED OR USED FOR PROCUREMENT OR MANUFACTURE WITHOUT EXPRESS WRITTEN PERMISSION OF TROMPETER ELECTRONICS INC.


| REVISIONS | | 2-0006 | SH 1 |
|-----------|-----------------------|---------|-----------|
| REV | DESCRIPTION | DATE | APPROVED |
| N | REVISED PER ECO 15074 | 6/13/03 | <i>WJ</i> |



RECOMMENDED
PANEL CUTOUT

RED INDICATES ORIGINAL

4. MINIATURE TWCNC TYPE DUAL CONTACT BULKHEAD MT CABLE RECEPTACLE
3. MAX PANEL THICKNESS .218
2. FINISH: TFS-1A (NICKEL)
1. ALL DIM ARE IN INCHES

| | | | | | |
|--|---|---|-----------------------------|---|--------------------------|
| <small>INTERPRET DRAWING PER MIL-STD-100 DIMENSIONS ARE IN INCHES AND INCLUDE FINISH THICKNESS UNLESS OTHERWISE SPECIFIED</small> | | <small>TOL: UNLESS SPECIFIED .XX .XXX ±.005 .XXXX</small> | |  | |
| <small>DRAWN</small> AAH <small>CHECKED</small> JCM <small>QUALITY</small> WJ <small>MANUF</small> New <small>APPROVED</small> WJ | <small>DATE</small> 6-10-03 6-10-03 6/13/03 6/10/03 | <small>MATERIAL:</small> | <small>ANGLES</small> | | |
| <small>NEXT ASSY</small> | <small>DATE</small> 6-0006N | <small>DO NOT SCALE DWG</small> | <small>SCALE</small> 4/1 | <small>DRAWING NO.</small> 2-0006 | <small>REV.</small> N |
| | | <small>DATE:</small> 2-7-86 | <small>SHEET</small> 1C | | |