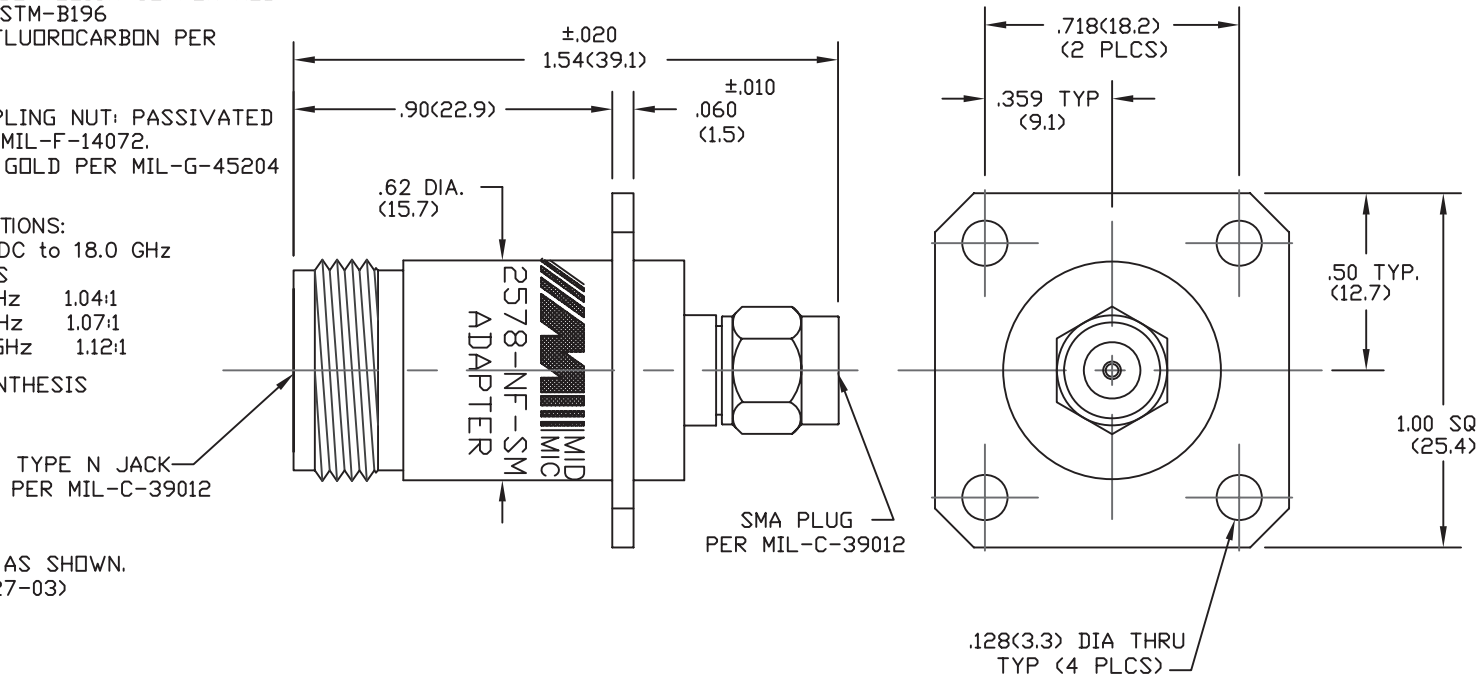


MODEL NUMBER
ADT-2578-NF-SMM-02

NOTES:

- 1.0 MATERIALS:
 - 1.1 HOUSINGS AND COUPLING NUT: STAINLESS STEEL PER ASTM-A582, TYPE 303.
 - 1.2 CENTER CONTACTS: BERYLLIUM COPPER ROD ALLOY C172, PER ASTM-B196
 - 1.3 DIELECTRIC: PTFE FLUOROCARBON PER ASTM-D1457.
- 2.0 PLATING:
 - 2.1 HOUSINGS AND COUPLING NUT: PASSIVATED PER QQ-P-35 AND MIL-F-14072.
 - 2.2 CENTER CONTACTS: GOLD PER MIL-G-45204 TYPE II, CLASS 2
- 3.0 ELECTRICAL SPECIFICATIONS:
 - 3.1 FREQUENCY RANGE: DC to 18.0 GHz
 - 3.2 IMPEDENCE: 50 OHMS
 - 3.3 VSWR: DC to 4.0 GHz 1.04:1
4.0 to 8.0 GHz 1.07:1
8.0 to 18.0 GHz 1.12:1
- 4.0 DIMENSIONS IN PARENTHESIS ARE MILLIMETERS.
- 5.0 MARKING: MARK UNIT AS SHOWN. (REF.: INK-02669-27-03)




DWG NO. WAS: 02393-01-00

REV.	DESCRIPTION	DATE
I	RELEASED	7/1/80
A	ECR 2393	4/21/83
B	ECR 6545	6/29/89
C	ECN 10356	4/19/91
D	ON CHG/UPDATE SPEC&MARK	12/28/92
D1	ADDED TITLEBLOCK	3/9/05

NOTICE: The information contained in this drawing is proprietary and must not be used without the permission of Cinch Connectivity Solutions.

UNLESS OTHERWISE NOTED DIMENSIONS ARE IN INCHES AND TOLERANCES ARE:

3 PLACE DECIMALS ±.005
2 PLACE DECIMALS ±.02
FRACTIONS ±1/64
PARALLELITY: T.I.R.
FLATNESS: T.I.R.
CONCENTRICITY: T.I.R.
ANGLES AND PERPENDICULARITY: ±1°

CAGE CODE 34078		MIDWEST MICROWAVE	
		TITLE TYPE N FEMALE TO SMA MALE ADAPTER OUTLINE DRAWING	
		DRAWN/DATE A.BEATTY 12/28/92	ENG./DATE A.OSGA 12/29/92
CHECKED/DATE M.HOLLMAN 12/29/92		APPROVED/DATE	
SCALE: 5=1		SHEET 1 of 1	