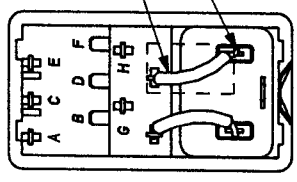
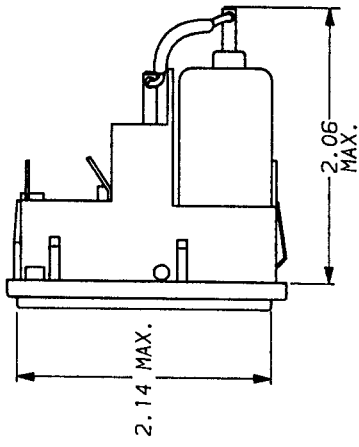
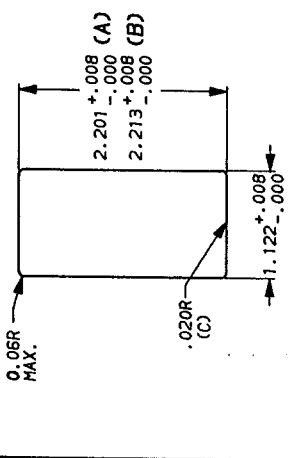


**RECOMMENDED PANEL CUTOUT**  
(NOT TO SCALE)

- NOTES:  
 (A) FOR PANEL TH'K. OF .031 --.079  
 (B) FOR PANEL TH'K. OF .083 --.126  
 (C) FOR SNAP-IN APPLICATION, THE SIDES OF THE CUTOUT MUST HAVE A .020R. ON THE INSTALLATION SIDE.



NOTE: ALL BACKPLATE TERMINALS ARE .110 FASTONS.

**SAFETY ORGANIZATION(S).**  
 THIS FILTER HAS BEEN FORMALLY RECOGNIZED, CERTIFIED OR APPROVED BY THE LISTED AGENCY. THEREFORE, ALL TEST/REQUIREMENTS SPECIFIED IN THE LATEST REVISION OF THE FOLLOWING AGENCY STANDARDS HAVE BEEN MET.

- UL 1283
- CSA 22.2, NO.0,0,4,8
- VDE 565-3, 625
- SEN 432901
- SEV 1055/1P1977/S.1.1

**OPERATING SPECIFICATIONS:**

- LINE VOLTAGE/CURRENT: 6 AMP., 120/250 VAC
- 6 AMP./40°C, 250 VAC
- 50-60Hz
- LINE FREQUENCY: .25mA @ 120V 60Hz
- MAX. LEAKAGE CURRENT, EACH
- LINE TO GROUND: .40mA @ 250V 50Hz
- OPERATING AMBIENT TEMP. RANGE: -10°C TO +40°C @ RATED CURRENT, I<sub>r</sub>

IN AN AMBIENT, I<sub>0</sub>, HIGHER THAN 40°C, THE MAXIMUM OPERATING CURRENT, I<sub>0</sub>, IS AS FOLLOWS:

$$I_0 = I_r \sqrt{\frac{95 - I_0}{45}}$$

**RELIABILITY SPECIFICATIONS:**

- STORAGE TEMPERATURE: -25°C TO +40°C
- HUMIDITY: 21 DAYS @ 40°C 95% RH
- CURRENT OVERLOAD TEST: 6 TIMES RATED CURRENT FOR 8 SECONDS

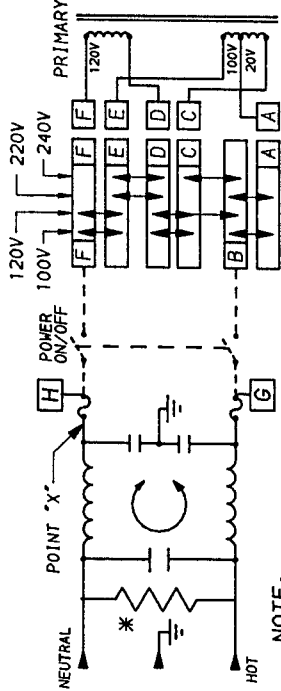
**TEST SPECIFICATIONS:**

- INDUCTANCE: .27mH NOMINAL
- CAPACITANCE, (MEASURED @ 1 KHz, 0.25 VAC MAX., 25°C ±1°C): .0028µF ±20%
- LINE TO GROUND: .047µF ±20%
- LINE TO LINE: 1.5 MΩ
- DISCHARGE RESISTOR: 6000 MΩ (MIN) AT 100 VDC
- LINE/GROUND AND LINE/LINE: 20°C AND 50% RH
- INSULATION RESISTANCE (M/0 DISCHARGE RESISTOR)

**RECOMMENDED RECEIVING INSPECTION HIPOUT.**

- 2250 VDC FOR 1 MINUTE
- 1450 VDC FOR 1 MINUTE

**FILTER APPROVAL:**  
 THE BEST WAY TO SELECT AND QUALIFY A FILTER IS FOR YOUR ENGINEERING TO TEST THE UNIT IN YOUR EQUIPMENT.



- NOTE:  
 1.) PROVISION FOR DUAL EUROPEAN STYLE FUSING 6EDL4CM ONLY.  
 2.) 6EDL4C CONNECT JUMPER OR SWITCH FROM POINT X TO F AND FROM G TO B.

50Ω - 50Ω (MINIMUM) INSERTION LOSS	
FREQUENCY MHz	COMMON dB
.05	1
.15	6
.50	13
1.0	17
3.0	26
5.0	31
10	37
30	45
45	45
50	45

This document is proprietary to CORCOM INC. and is not to be reproduced nor used for manufacturing purposes except on CORCOM's order or prior written consent.

TOLERANCE EXCEPT AS NOTED  
 DECIMAL: .XXX .XX .X ANGLES  
 ENGLISH: ±.025  
 METRIC: ±

MATERIAL: AS SUPPLIED

**FINISH:**

SCALE	DATE	DRG. NO.	REV.
NTS	2-9-87	6EDL4C & 6EDL4CH	5
DRP. BY	DESIGNATOR		
LJD	CFW		

**corcom**  
 LIBERTYVILLE, IL 60048  
**POWER LINE FILTER**

\*RESISTOR ADDED TO PRODUCT BUILT AFTER 3-30-92 (9212).