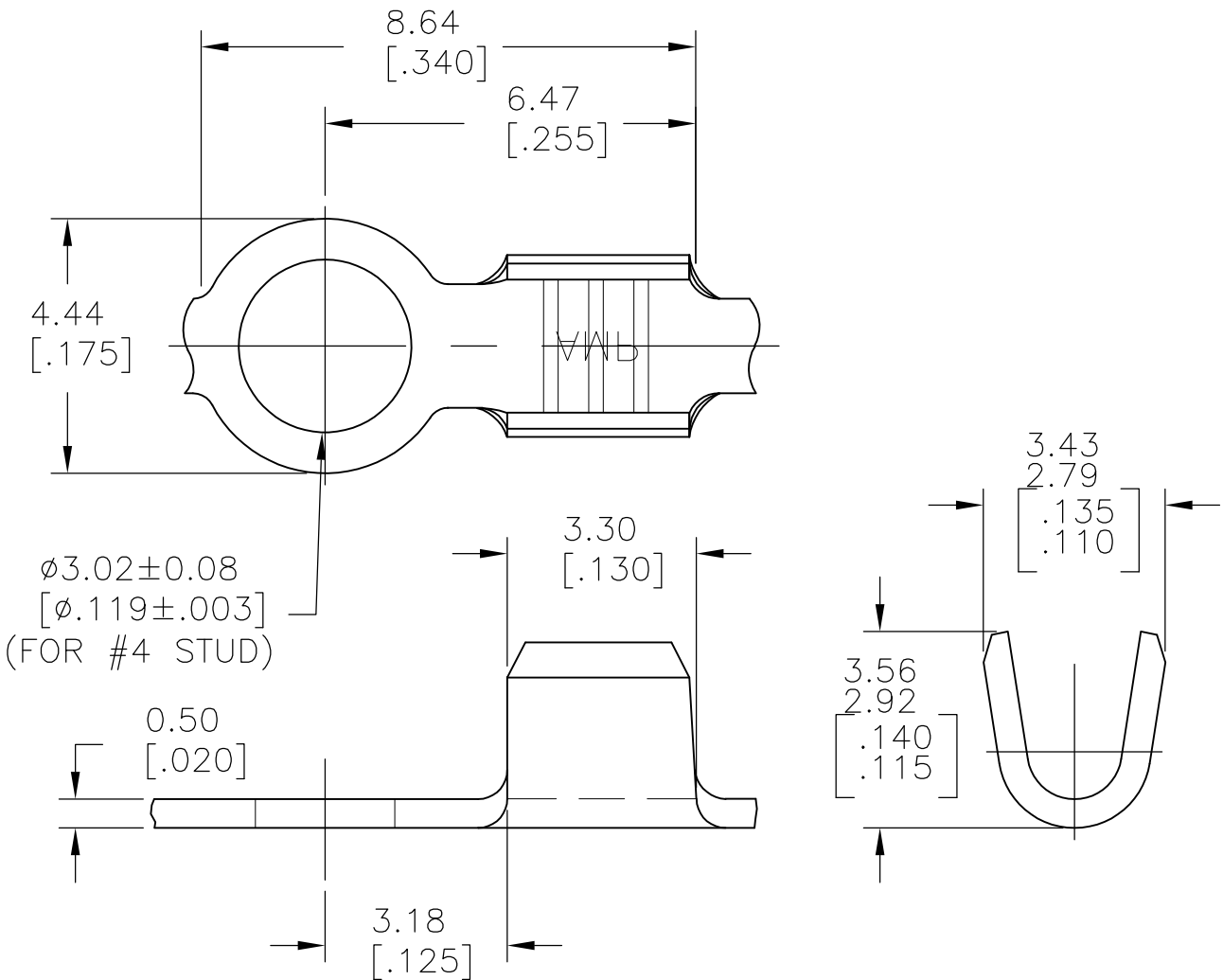


LOC	DIST	REVISIONS					
—	—	P	LTR	DESCRIPTION	DATE	DWN	APVD
		A		REDRAWN PER ECR-10-019776	22OCT10	HMR	PD

- 1 REVERSE REEL FOR ARTOS MACHINE
- 2 CONTINUOUS STRIP, ON REELS
- 3 WIRE SIZE: #20-16 AWG



THIS DRAWING IS UNPUBLISHED.

ALL INTERNATIONAL RIGHTS RESERVED.

COPYRIGHT BY TYCO ELECTRONICS CORPORATION.

40777
PART NUMBER

DIMENSIONS: mm [INCHES]	DWN	22OCT10	MATERIAL	BRASS	FINISH	—
	CHK	22OCT10	Tyco Electronics Corporation Harrisburg, PA 17105-3608			
TOLERANCES UNLESS OTHERWISE SPECIFIED:	APVD	22OCT10	NAME RING			
	PRODUCT SPEC	—	SIZE	A4	CAGE CODE	00779
0 PLC ± —	APPLICATION SPEC	—	DRAWING NO	C-40777		RESTRICTED TO
1 PLC ± —	WEIGHT	—	SCALE 8:1			SHEET 1 OF 1
2 PLC ± —	CUSTOMER DRAWING		REV A			
3 PLC ± .015						
4 PLC ± —						
ANGLES ± 1°						