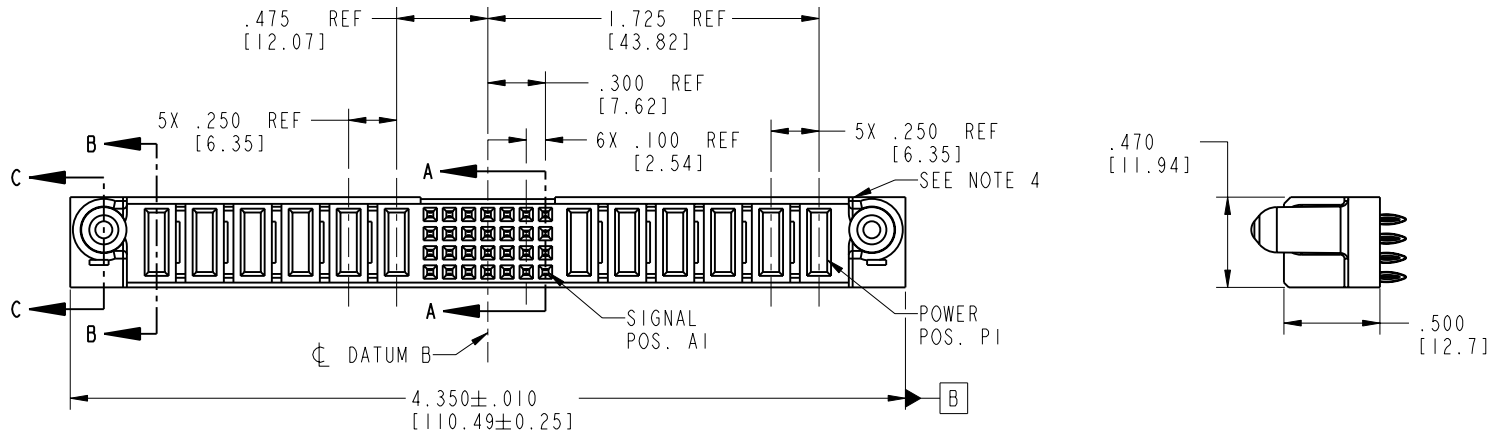


Tous droits strictement réservés. Reproduction ou communication o des liens interdité sous quelque forme que ce soit sans autorisation écrite du propriétaire. Propriété de c FCI. Droits de reproduction FCI.

All rights strictly reserved. Reproduction or issue to third parties in any form, whenever is not permitted without written authority from the proprietor. Property of FCI. Copyright FCI.

PRODUCT NO.	ROWS	POWER						SIGNAL					POWER									
		E2	P12	P11	P10	P9	P8	P7	7	6	5	4	3	2	1	P6	P5	P4	P3	P2	P1	E1
51750-053-- NOTE: 3	D C B A		PF	PF	PF	PF	PF	PF	F	F	F	F	F	F	F	PC	PC	PC	PC	PC	PC	



CODE	DIM "M" MATING LENGTH	CONTACT TYPE
F	N/A [N/A]	SIGNAL
PC	.042 [1.07]	POWER
PF	.092 [2.34]	POWER

mat'l code				SEE NOTE 2		tolerances unless otherwise specified		CUSTOMER		 www.fciconnect.com	
ltr	ecn no.	dr	date	linear	.XX±.01/0.X±0.3		COPY		 INCH/MM	title	
A	V03-1343	TAB	12/17/03		.XXX±.005/0.XXX±0.13		projection			6P + 28S + 6P	
B	V04-0024	TAB	01/12/04		.XXX±.0020/0.XXX±0.051		 scale			VERTICAL PRESS-FIT RECEPT	
C	DG05-0504	GuoJM	11/29/05	angles	0°±?		 1:1		product family		
				dr	T. BRUNGARD	12/17/03			PwrBlade		code
				engr	M. GRAY	12/17/03			size		213
				chr	M. GRAY	12/17/03			dwg no		sheet
				appd	M. GRAY	12/17/03			A 51750-053		1 of 4
sheet index		revision sheet		C	C	C	C				
				1	2	3	4				

1 | 2

Pro/E

3 |

cage code 22526

4

PDM: Rev:C

STATUS: Released

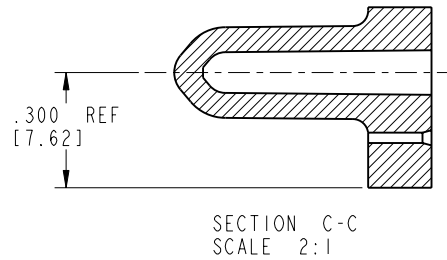
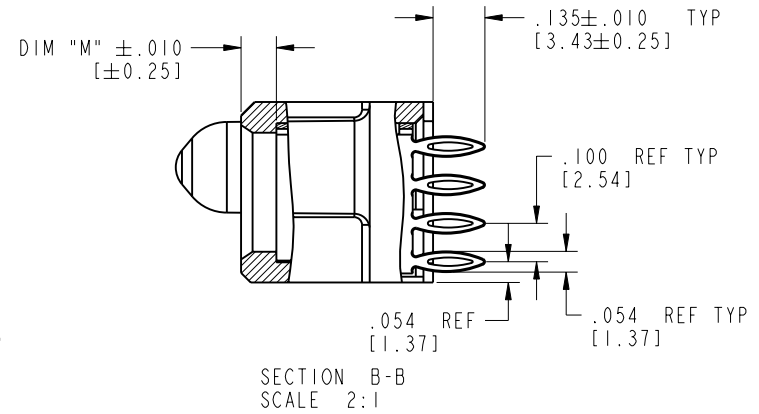
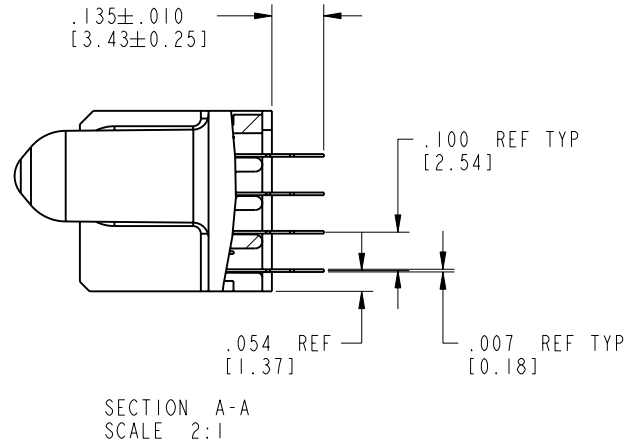
Printed: Dec 20, 2010

Tous droits strictement réservés. Reproduction ou communication o des liers interdite sous quelque forme que ce soit sans autorisation écrite du propriétaire. Propriete de c FCI. Droits de reproduction FCI.

All rights strictly reserved. Reproduction or issue to third parties in any form whatever is not permitted without written authority from the proprietor. Property of FCI. Copyright FCI.

PRODUCT NUMBER

51750-053__
NOTE: 3



mat'l code		SEE NOTE 2		tolerances unless otherwise specified		CUSTOMER		 www.fciconnect.com	
lfr	ecn no.	dr	date	linear	.XX±.01/0.X±0.3	COPY			
C				projection	.XXX±.005/0.XX±0.13			title	6P + 28S + 6P
				angles	.XXX±.0020/0.XXX±0.051			VERTICAL PRESS-FIT RECEPT	
				dr	T. BRUNGARD 12/17/03	INCH/MM		product family	PwrBlade
				engr	M. GRAY 12/17/03	scale		code	213
				chr	M. GRAY 12/17/03	1:1		size	dwg no
				appd	M. GRAY 12/17/03			A	51750-053
sheet index	revision sheet							sheet	2 of 4

cage code 22526

Pro/E

PDM: Rev:C

STATUS: Released

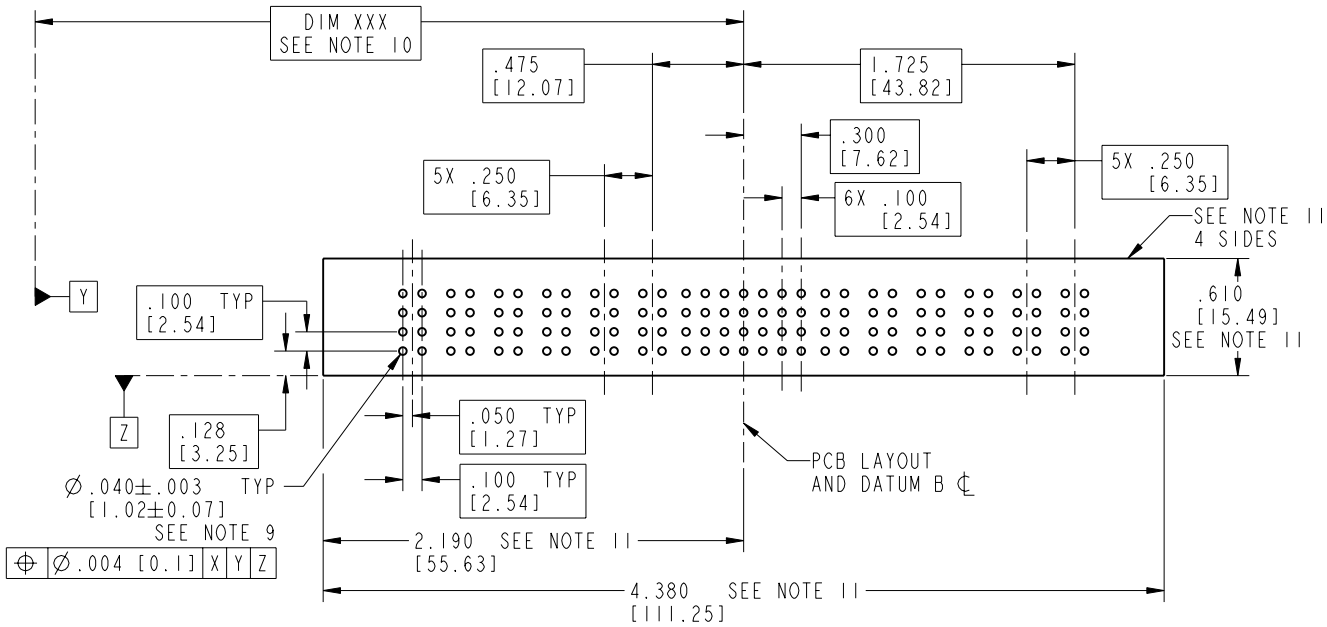
Printed: Dec 20, 2010

Tous droits strictement réservés. Reproduction ou communication o des liers interdite sous quelque forme que ce soit sans autorisation écrite du propriétaire. Propriete de c FCI. Droits de reproduction FCI.

FCI

All rights strictly reserved. Reproduction or issue to third parties in any form, whenever is not permitted without written authority from the proprietor. Property of FCI. Copyright FCI.

PRODUCT NUMBER
51750-053--
NOTE: 3



mat'l code				SEE NOTE 2		tolerances unless otherwise specified		CUSTOMER		FCI www.fciconnect.com	
ltr	ecn no.	dr	date	linear	.XX±.01/0.X±0.3	projection	COPY		title 6P + 28S + 6P		
C				angles	.XXX±.005/0.XXX±0.13 .XXX±.0020/0.XXX±0.051		INCH/MM		VERTICAL PRESS-FIT RECEPT		
				dr	T. BRUNGARD 12/17/03	scale	1:1		product family PwrBlade		code 213
				engr	M. GRAY 12/17/03				size		sheet 3 of 4
				chr	M. GRAY 12/17/03				A 51750-053		
				appd	M. GRAY 12/17/03						
sheet index	revision sheet										

cage code 22526

Pro/E

PDM: Rev:C

STATUS: Released

Printed: Dec 20, 2010

Tous droits strictement réservés. Reproduction ou communication o des liers interdite sous quelque forme que ce soit sans autorisation écrite du propriétaire. Propriete de c FCI. Droits de reproduction FCI.

A
FCI

All rights strictly reserved. Reproduction or issue to third parties in any form, whomever is not permitted without written authority from the proprietor. Property of FCI. Copyright FCI.

B

PRODUCT NUMBER

51750-053__
NOTE: 3

NOTES:

1. DIMENSIONS AND TOLERANCES ARE IN ACCORDANCE WITH ASME Y14.5M, 1994 UNLESS OTHERWISE SPECIFIED.

CONNECTOR NOTES:

2 HOUSING MATERIAL: UL 94 V-0 GLASS FILLED

HIGH-TEMP THERMOPLASTIC
POWER CONTACT MATERIAL: COPPER ALLOY
SIGNAL PIN MATERIAL: COPPER ALLOY

3. PLATING:

51750-053 Singal Pin:30u"/0.76um Au OVER 50u"/1.27um Ni ON THE CONTACT AREA.
AND 100u"/2.54um SnPb PLATING OVER 50u"/1.27um Ni ON THE TERMINATION SECTION.
Power Pin:30u"/0.76um Au OVER 50u"/1.27um Ni ON THE CONTACT AREA,
AND 100u"/2.54um SnPb PLATING OVER 50u"/1.27um Ni ON THE TERMINATION SECTION.

51750-053LF Singal Pin:30u"/0.76um Au OVER 50u"/1.27um Ni ON THE CONTACT AREA.
AND 78u"/2.00um Sn PLATING OVER 50u"/1.27um Ni ON THE TERMINATION SECTION.
Power Pin:30u"/0.76um Au OVER 50u"/1.27um Ni ON THE CONTACT AREA,
AND 78u"/2.00um Sn PLATING OVER 50u"/1.27um Ni ON THE TERMINATION SECTION.

PART NUMBER 51750-053LF MEETS EUROPEAN UNION DIRECTIVE AND OTHER COUNTRY REGULATIONS AS DESCRIBED IN GS-22-008.

THE HOUSING WILL WITHSTAND EXPOSURE TO 260° PEAK TEMPERATURE FOR 10 SECONDS IN A WAVE SOLDER APPLICATION WITH A CIRCUIT BOARD.

4 MANUFACTURER'S NAME, P/N, AND DATE CODE TO APPEAR ON THIS SURFACE.

5. PRODUCT SPECIFICATION GS-12-149.
APPLICATION SPECIFICATION BUS-20-067.

6. PACKAGED IN TRAYS.

PCB NOTES:

7. ALL HOLE DIAMETERS ARE FINISHED HOLE SIZE.

8 MOUNTING HOLES, WHERE APPLICABLE, ARE UNPLATED.

9 $\varnothing .0453 \pm .0010$ [1.151 ± 0.025] DRILLED HOLES PLATED WITH .0003 [0.008] MIN SnPb OVER .001 [0.03] TO .003 [0.08] Cu PLATING TO ACHIEVE $\varnothing .040 \pm .003$ [1.02 ± .07] HOLE.

10 "DIM XXX" TO BE DETERMINED BY THE CUSTOMER.

11 CONNECTOR KEEP-OUT ZONE.

mat'l code		SEE NOTE 2		tolerances unless otherwise specified		CUSTOMER		A FCI www.fciconnect.com	
lfr	ecn no.	dr	date	linear	.XX±.01/0.X±0.3	projection	COPY	title	6P + 28S + 6P
C				angles	.XXX±.005/0.XX±0.13			VERTICAL PRESS-FIT RECEPT	
				dr	.XXX±.0020/0.XXX±0.051		INCH/MM	product family	PwrBlade
				engr	0° ± 2°	scale	1:1	code	213
				chr	T. BRUNGARD 12/17/03			size	dwg no
				appd	M. GRAY 12/17/03			A	51750-053
					M. GRAY 12/17/03			sheet	4 of 4
sheet index	revision sheet								

1 | 2

Pro/E

3 |

coge code 22526

4