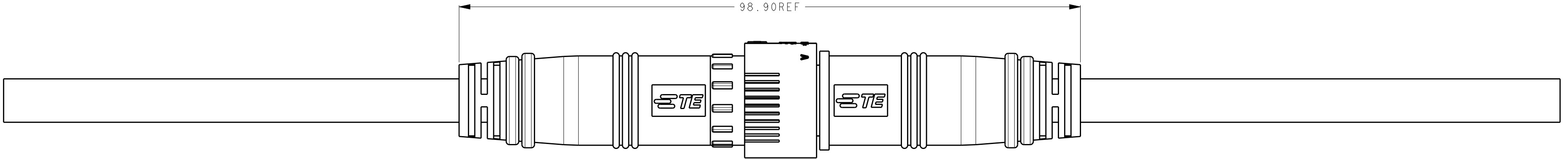
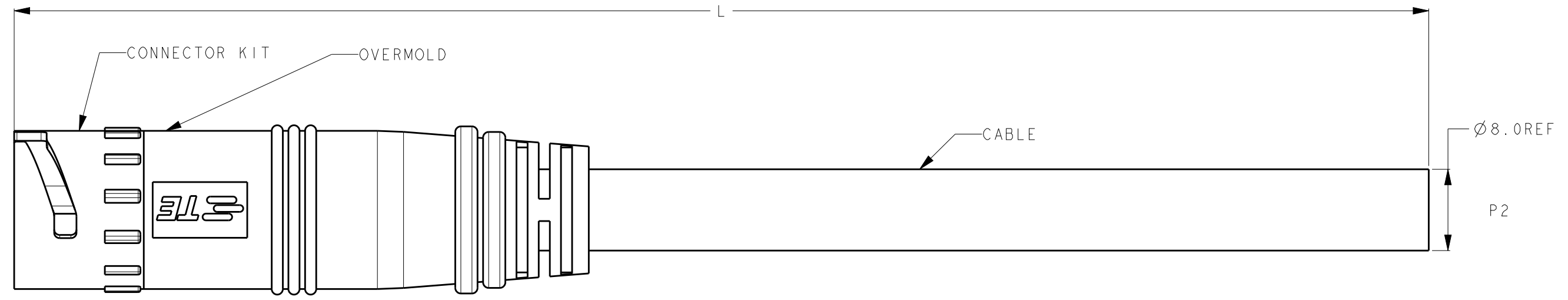
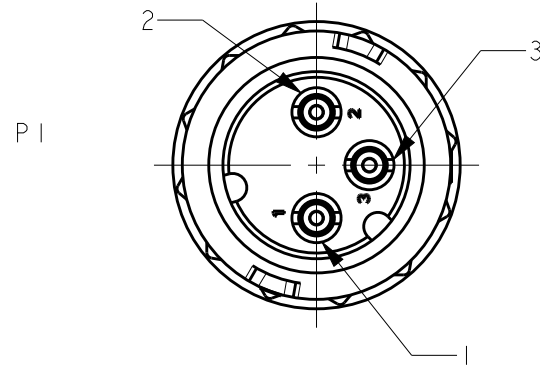


THIS DRAWING IS UNPUBLISHED. RELEASED FOR PUBLICATION 20
 © COPYRIGHT 20 BY - ALL RIGHTS RESERVED.

LOC	DIST	REVISIONS			
P	LTR	DESCRIPTION	DATE	DWN	APVD
-	-	A	RELEASE	02APR2015	M.S X.X
-	-	AI	UPDATE TABLE	16APR2015	M.S X.X
-	-	B	ECR-16-015004	25OCT2016	M.S X.X



MATE WITH 2834002 SERIES

WIRING DIAGRAM		
P1	WIRE COLOR	P2
PI-1	RED	-
PI-2	BLACK	-
PI-3	BROWN	-

NOTES:
 1. MATE WITH 2834002 SERIES.
 2. RATINGS:
 VOLTAGE: 300V AC/DC
 CURRENT: 6A MAX.
 TEMPERATURE: 80°C

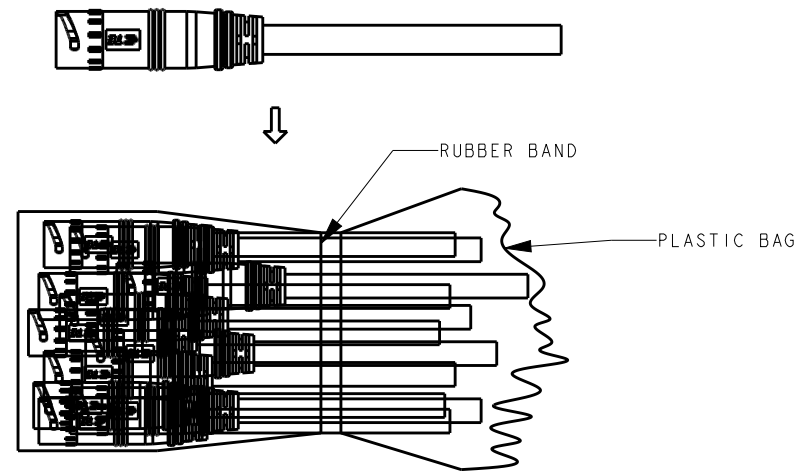
P/N	CABLE	DIM A	L (mm)
9-2834003-1	RUBBER (THERMOPLASTIC ELASTOMER TYPE)	Ø8.0	150±5
9-2834003-2			250±10
9-2834003-3			500±15
9-2834003-4			1000±15

THIS DRAWING IS A CONTROLLED DOCUMENT.		DWN SHI MING 10SEP2014	TE Connectivity	
DIMENSIONS: mm		CHK SHI MING 10SEP2014		
TOLERANCES UNLESS OTHERWISE SPECIFIED:		APVD XU XIANG 10SEP2014	NAME 3P FEMALE CABLE ASSEMBLY CIRCULAR LIGHTING SEALED CONN.	
0 PLC ± 1 PLC ±0.5 2 PLC ±0.5 3 PLC ± 4 PLC ± ANGLES ± FINISH ±		PRODUCT SPEC 108-173041	SIZE A2	
MATERIAL		APPLICATION SPEC 114-173041	CAGE CODE -	DRAWING NO C-2834003
-		WEIGHT -	RESTRICTED TO -	
-		Customer Drawing		SCALE 1:2 SHEET 1 OF 2 REV B1

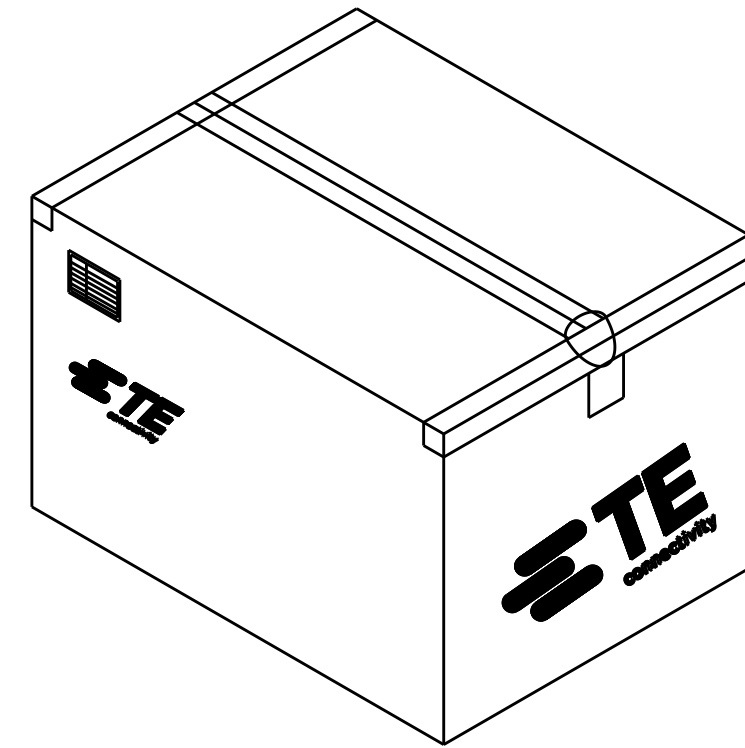
THIS DRAWING IS UNPUBLISHED. RELEASED FOR PUBLICATION 20
 © COPYRIGHT 20 BY - ALL RIGHTS RESERVED.

LOC	DIST	REVISIONS			
P	LTR	DESCRIPTION	DATE	DWN	APVD
-	-	SEE SHEET 1	-	-	-

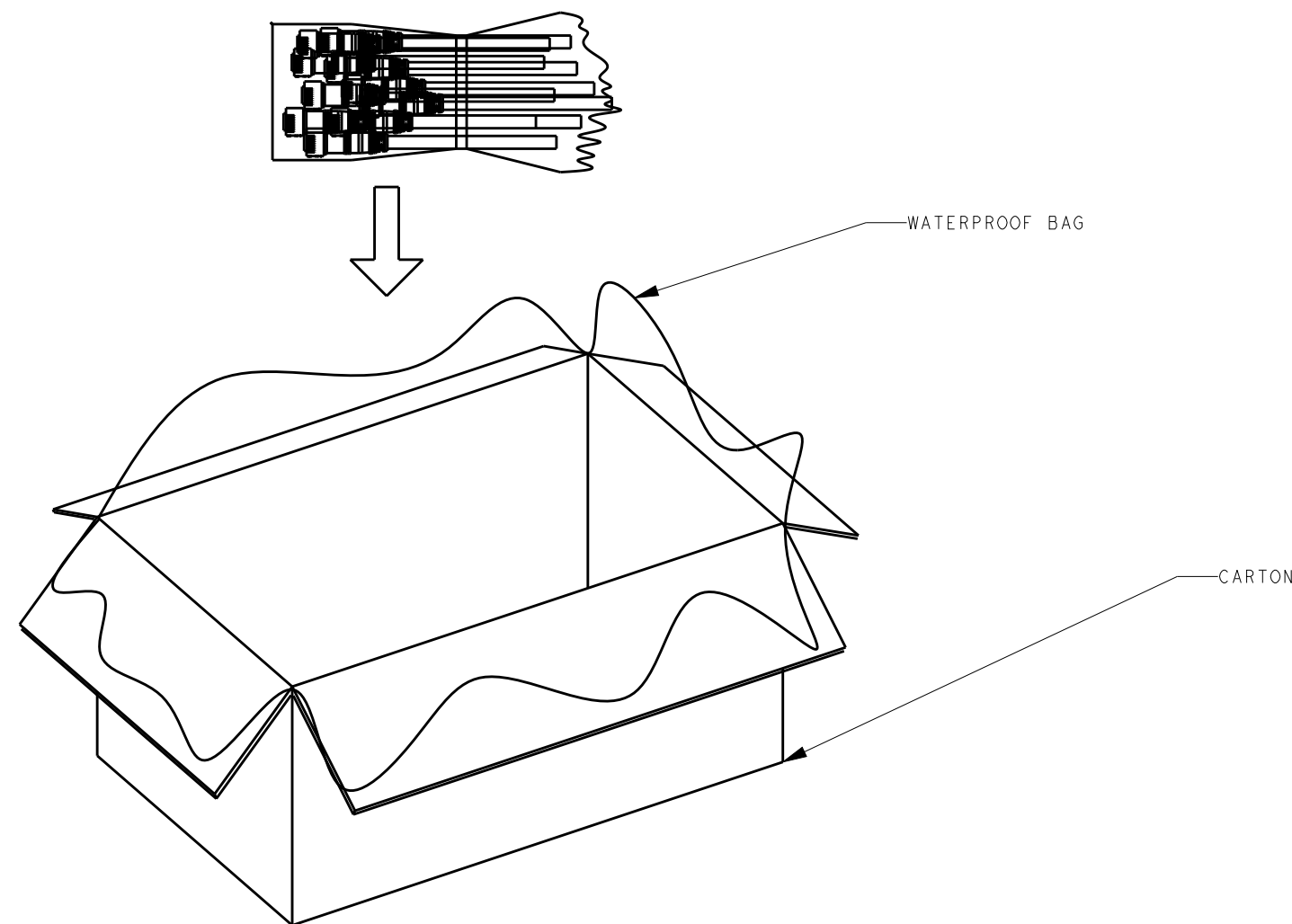
1. PUT PIECES OF PARTS INTO THE PLASTIC BAG, AND SEALED WITH RUBBER BAND AS 1 BUNCH.



3. SEAL THE CARTON.



2. PUT BUNCHES OF PARTS INTO CARTON.



4. PACKAGING QUANTITIES (REFER SHEET 1 FOR PN DEFINITION):

P/N	PARTS PER CARTON (PCS)
9-2834003-1	500
9-2834003-2	260
9-2834003-3	90
9-2834003-4	60

THIS DRAWING IS A CONTROLLED DOCUMENT.		DWN SHI MING 10SEP2014	STE TE Connectivity	
DIMENSIONS: mm		CHK SHI MING 10SEP2014		
TOLERANCES UNLESS OTHERWISE SPECIFIED:		APVD XU XIANG 10SEP2014	NAME 3P FEMALE CABLE ASSEMBLY CIRCULAR LIGHTING SEALED CONN.	
0 PLC ±-		PRODUCT SPEC 108-173041	SIZE A2	
1 PLC ±0.5		APPLICATION SPEC 114-173041	CAGE CODE -	DRAWING NO C-2834003
2 PLC ±0.5		WEIGHT -	RESTRICTED TO -	SCALE 1:2
3 PLC ±-		MATERIAL -	SHEET 2 OF 2	REV B1
4 PLC ±-		Customer Drawing		
ANGLES ±-				
FINISH ±-				