

Model No: PMT-20N12AL04-04  
Product Line: Tymphany

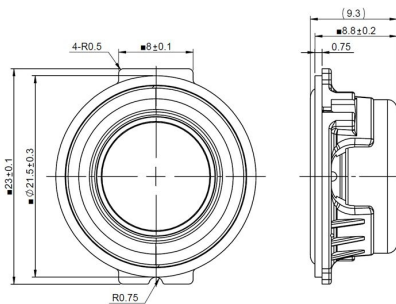
Rev: 1  
Last Update: 2017-04-21 12:39:42

### Product Description

This 20 mm 4 ohm compact Premium Micro Transducer is designed for computer, television array, and similar applications. It features a neodymium-iron-boron magnet, a light aluminium cone, and a high-temperature polycarbonate frame. The PMT family's transducers feature low resonant frequencies and a full range bandwidth.



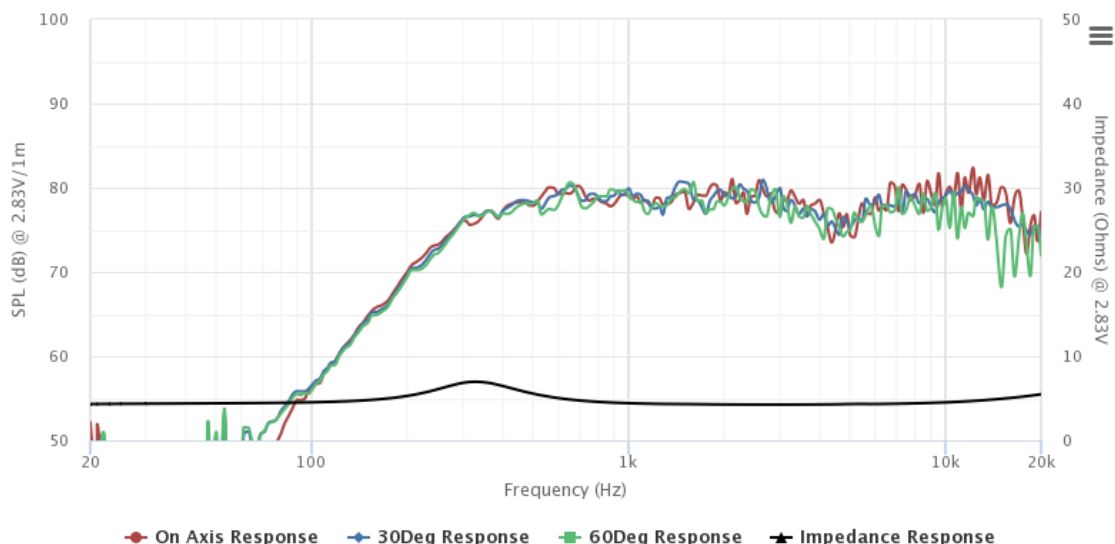
### Mechanical Drawing



### Specifications

DC Resistance	Revc	Ohms	3.48	5.0%	Energy Bandwidth Product	EBP	(1/Qes)*fs
Minimum Impedance	Zmin	Ohms	4.25	7.5%	Moving Mass	Mms	g
Voice Coil Inductance	Le	mH	0.03		Suspension Compliance	Cms	um/N
Resonant Frequency	Fs	Hz	378.1	15%	Effective Cone diameter	D	cm
Mechanical Q Factor	Qms		1.14		Effective Piston Area	Sd	cm^2
Electrical Q Factor	Qes		1.98		Effective Volume	Vas	L
Total Q Factor	Qts		0.72		Motor Force Factor	BL	Tm
Ratio Fs/Qts	F	Fs/Qts	522.24		Motor Efficiency Factor	β	(T*M^2)/Ohms
Half Space Sensitivity @2.83V	db@2.83V/1M	dB	78.47	+/- 1.0db	Voice coil former Material	VCfm	KSV
Half Space Sensitivity @1W/1M	db@1W/1M	dB	75.7	+/- 1.0db	Voice coil inner diameter	VCd	mm
Gap Height	Gh	mm	1		Rated Noise Power	P	W
Maximum Linear Excursion	Xmax	mm	0.4		Test Spectrum Bandwidth		350-20K
Ferrofluid Type	FF		APG 834		Driver Size	Inch	20 mm
Driver Mass	Kg		0.01				

### Frequency and Impedance Response



Highcharts.com