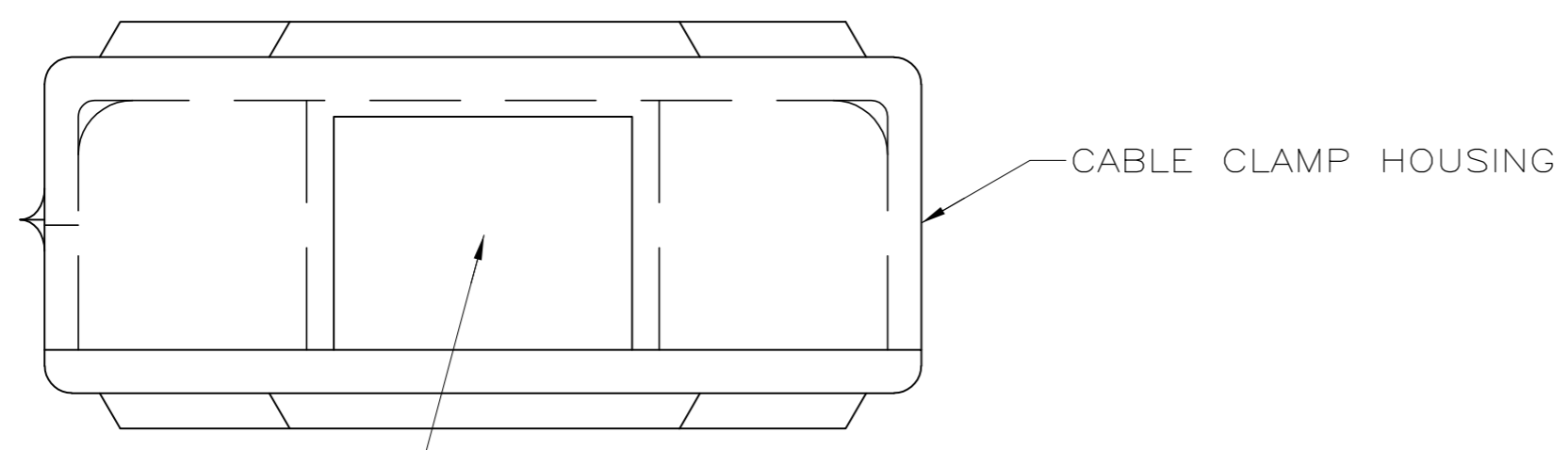


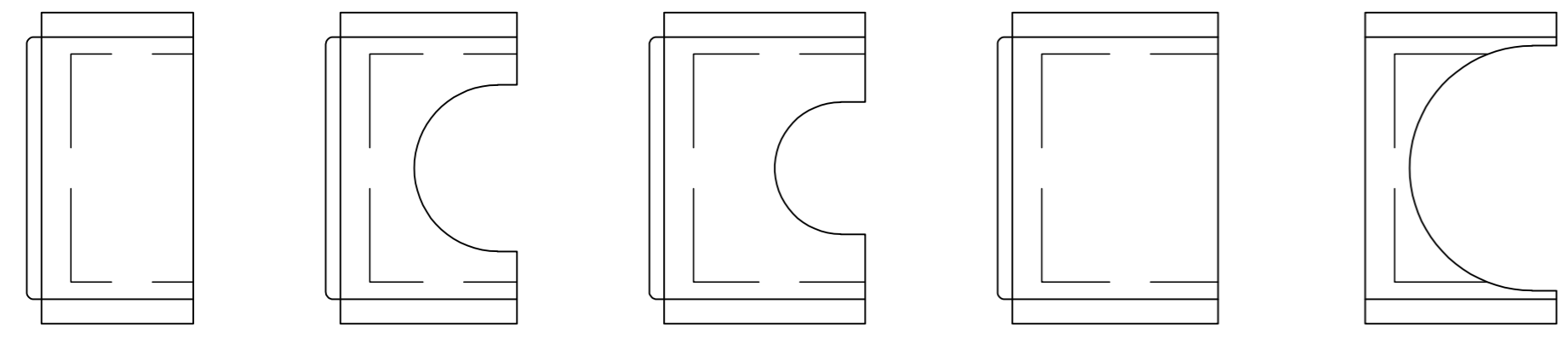
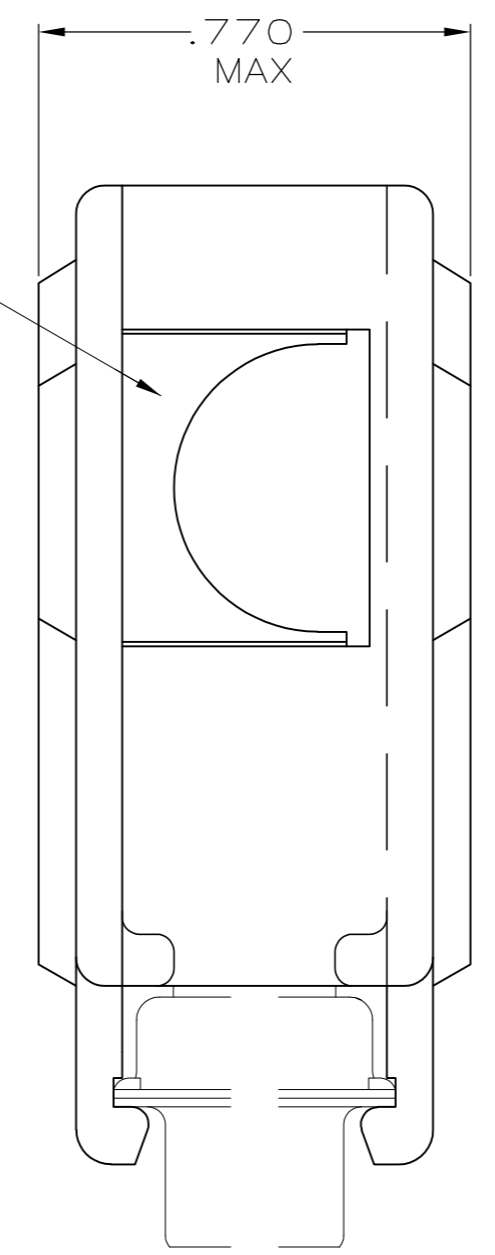
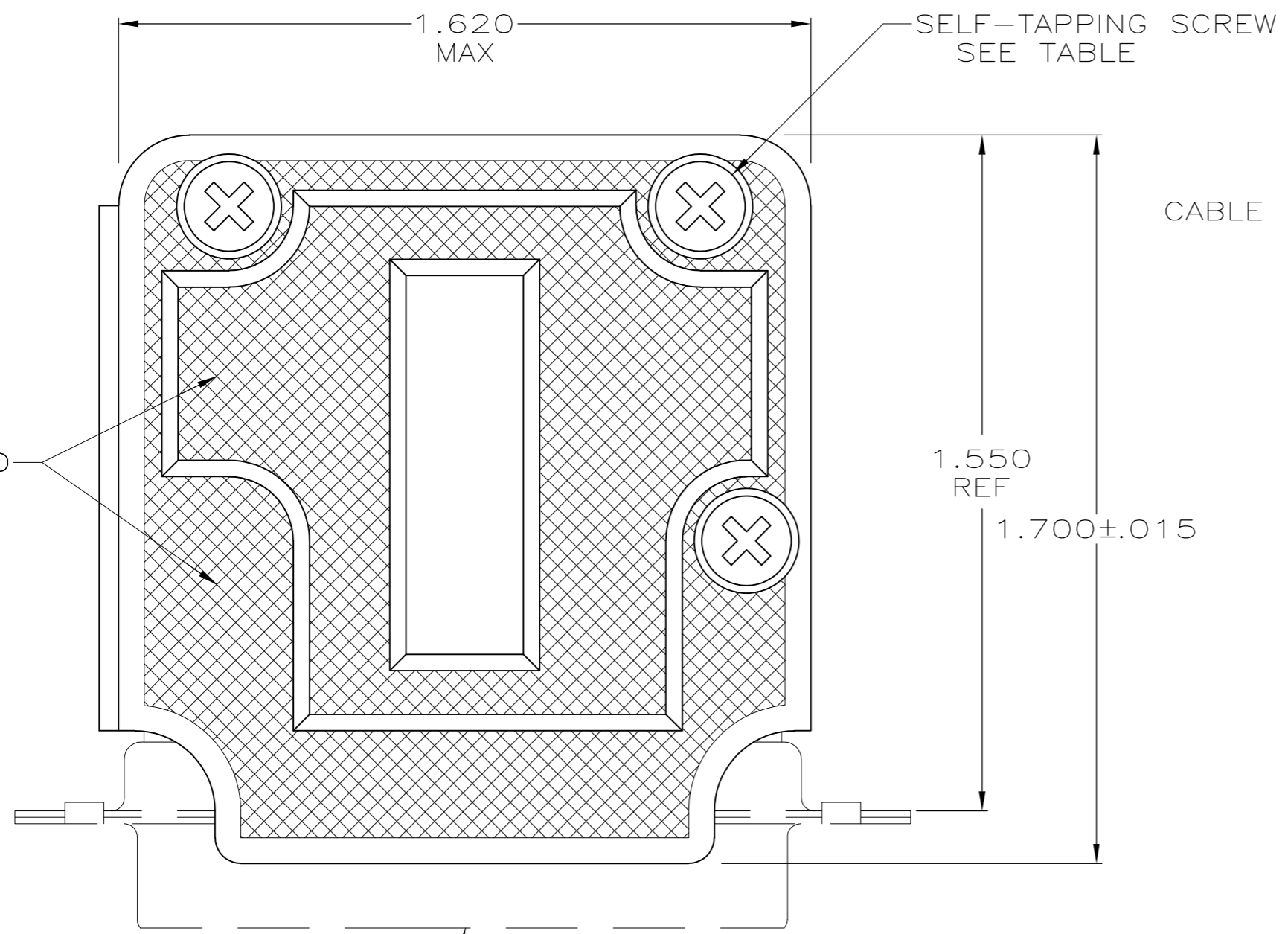
THIS DRAWING IS UNPUBLISHED. RELEASED FOR PUBLICATION
 © COPYRIGHT - By - ALL RIGHTS RESERVED.

LOC		DIST		REVISIONS			
P	LTR	DESCRIPTION		DATE	DWN	APVD	
	F1	REVISED PER ECO-11-004835		11MAR11	RK	HMR	



BLANK GATE

- 1. PARTS PACKAGED UNASSEMBLED.
- 2. CABLE GATES ARE INTERCHANGEABLE ALLOWING 90° & 180° CABLE EXIT.
- ⚠ COMPONENTS INDIVIDUALLY BULK PACKED AND SHIPPED AS A UNIT PACKAGE KIT.



3-A .195 DIA CABLE REF
 3-B .360 DIA CABLE REF
 3-C .215 DIA CABLE REF
 3-D BLANK GATE
 3-E .390 DIA CABLE REF
GATES

OBSOLETE	SLOTTED	⚠	207345-4
	SLOTTED	AS SHOWN	207345-3
OBSOLETE	CROSS-RECESSED	⚠	207345-2
	CROSS-RECESSED	AS SHOWN	207345-1
	SCREW VERSION	PACKAGING	PART NUMBER

THIS DRAWING IS A CONTROLLED DOCUMENT.

DWN	S. WELDON	9-16-86
CHK	C. RICHARD	9-16-86
APVD	S. SCHUFERLY	9-16-86

TE Connectivity

CABLE CLAMP KIT, SIZE 3,
 ONE PIECE, 90DEG & 180DEG EXIT,
 AMPLIMITE®

SIZE	CAGE CODE	DRAWING NO	RESTRICTED TO
A2	00779	C-207345	-

MATERIAL: MOLDED PARTS: POLYPROPYLENE, COLOR: BLACK, SCREWS: STEEL PER ASTM A108
 FINISH: SCREWS: ZINC PHOSPHATE PER MIL-P-16232

WEIGHT: -

CUSTOMER DRAWING

SCALE: NTS SHEET: 1 OF 1 REV: F1