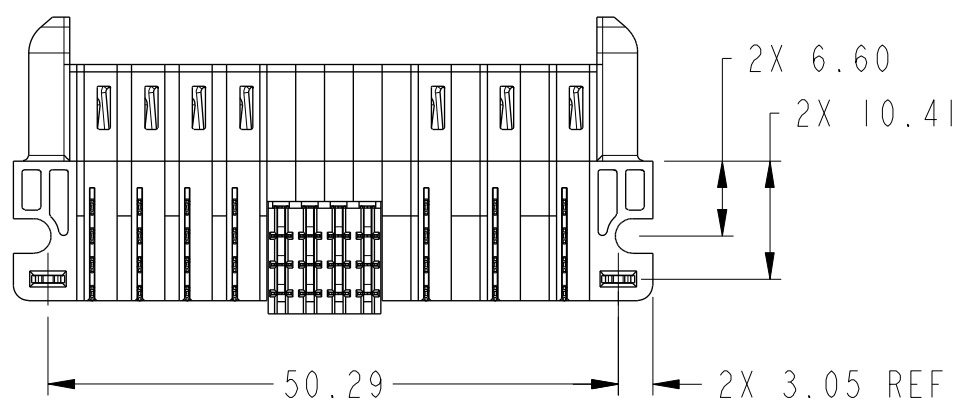
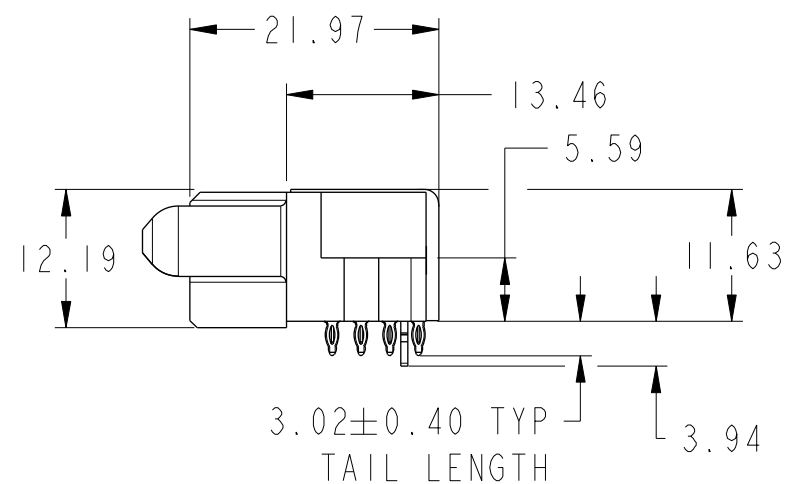
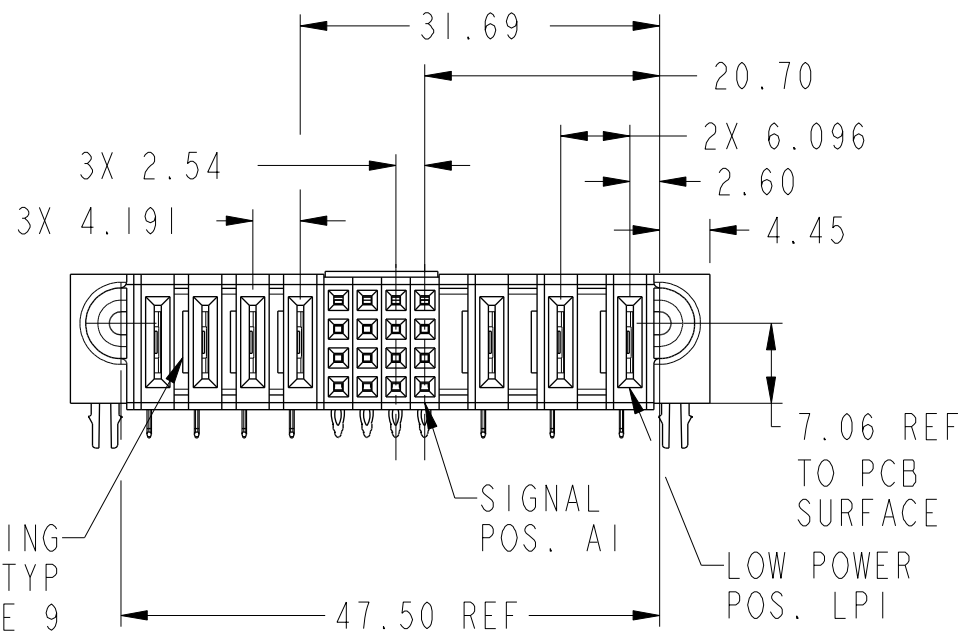
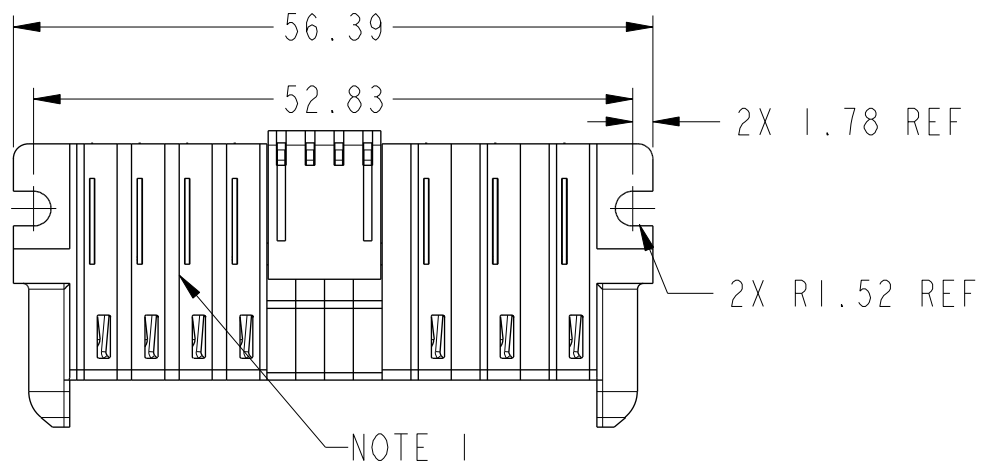


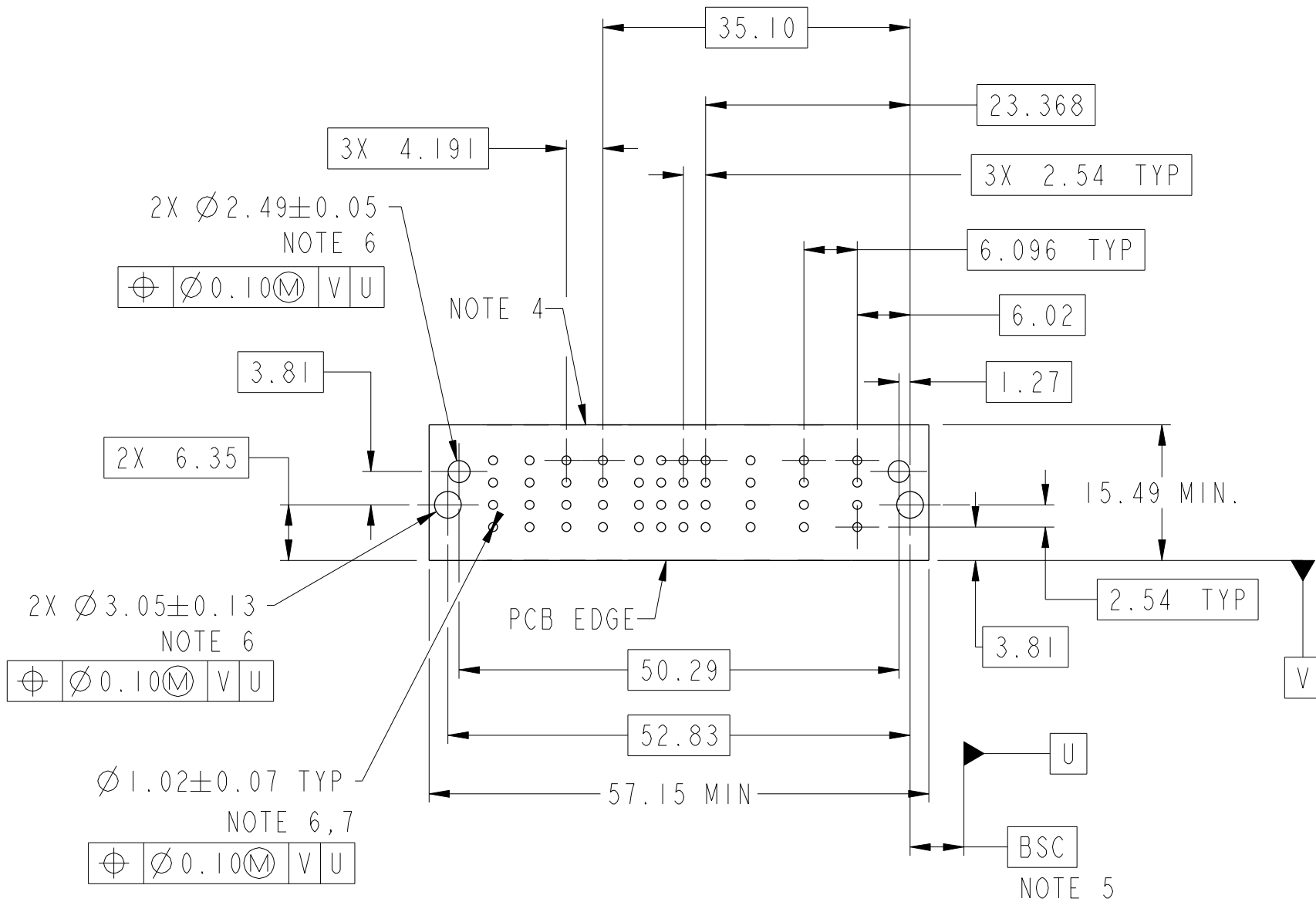
PRODUCT NUMBER SEE SHEET 2



spec ref	*	dr	Rainbow Zhan	2014/05/19	projection	MM	size	A3	scale	3:2										
tolerance std	ASME Y14.5	eng	Rainbow Zhan	2015/01/07			ecn no	-	rel level	Released										
TOLERANCES UNLESS OTHERWISE SPECIFIED		chr	-	-																
surface	<table border="1"> <tr> <td>linear</td> <td>0.X</td> <td>±0.5</td> </tr> <tr> <td></td> <td>0.XX</td> <td>±0.25</td> </tr> <tr> <td></td> <td>0.XXX</td> <td>±0.10</td> </tr> <tr> <td>angular</td> <td>0°</td> <td>±2°</td> </tr> </table>	linear	0.X	±0.5		0.XX	±0.25		0.XXX	±0.10	angular	0°	±2°	appr	Pei-Ming Zheng	2015/01/07	product family	PwrBlade+	rel level	Released
linear	0.X	±0.5																		
	0.XX	±0.25																		
	0.XXX	±0.10																		
angular	0°	±2°																		
ASME Y14.5		www.fci.com	cat. no.	3LP + 16S + 4LP RA PF RECEPTACLE	dwg no	10106265_0704001	rev	A												
			Product - Customer Drw			sheet 1 of 3														

PRODUCT NO.	ROWS	LP				SIGNAL				LP				
		E1	P7	P6	P5	P4	4	3	2	1	P3	P2	P1	E2
10106265_0704001LF	D C B A		LT	LT	LT	LT	S	R	S	S	LT	LT	LT	

CODE	DESCRIPTION
HA	METAL HOLD DOWN
LT	STD LOW POWER CONTACT(3.02)
N	STD SIGNAL CONTACT, ROW A
P	STD SIGNAL CONTACT, ROW B
R	STD SIGNAL CONTACT, ROW C
S	STD SIGNAL CONTACT, ROW D



dr	Rainbow Zhan	2014/05/19	projection	MM	size	A3	scale	3:2			
eng	Rainbow Zhan	2015/01/07		←→	ecn no	-	rel level	Released			
chr	-	-									
appr	Pei-Ming Zheng	2015/01/07	product family	PwrBlade+							
			title		3LP + 16S + 4LP		dwg no		10106265_0704001	rev	A
www.fci.com			cat. no.		Product - Customer Drw			sheet 2 of 3			

Copyright FCI.

NOTES:

- 1) "FCI", PART NUMBER AND DATE CODE TO BE MARKED ON THIS SURFACE.
THE MARK CAN BE OMITTED IF THERE IS NOT ENOUGH SPACE ON THIS SURFACE.
- 2) MATERIALS:
-HOUSING - GLASS FILLED WITH HIGH TEMP THERMOPLASTIC, UL94V-0.
-SIGNAL CONTACT - COPPER ALLOY.
-POWER CONTACT - HIGH CONDUCTIVITY COPPER ALLOY.
- 3) PLATING SPECIFICATION REFER TO FCI 10116351
- 4) DENOTES CONNECTOR KEEP OUT ZONE.
- 5) DATUM AND BASIC DIMENIONS WERE ESTABLISHED BY CUSTOMER.
- 6) ALL HOLE DIAMETERS ARE FINISHED HOLE SIZES.
- 7) 1.15 ± 0.025 MM DRILLED HOLE PLATED WITH 0.00762MM MIN Sn
OVER 0.0254-0.0762MM Cu PLATING TO ACHIEVE A 1.02 ± 0.07 MM HOLE.
- 8) PRODUCT SPECIFICATION REFER TO FCI GS-12-658.
APPLICATION SPECIFICATION REFER TO FCI GS-20-141.
PRODUCT PACKAGED IN TRAYS, REFER TO FCI GS-14-1502.
- 9) THE VOID CORING IN BETWEEN POWER MODULES, SIGNAL
MODULES AND END MODULES ARE OPTIONAL AND THE SHAPE
MAY BE DIFFERENT FOR OPTIMIZE THE MOLDING PROCESS. THE
VOID CORING WILL NOT EFFECT TO PRODUCT FUNCTION.

dr	Rainbow Zhan	2014/05/19	projection 	MM 	size	A3	scale	3:2	
eng	Rainbow Zhan	2015/01/07			ecn no	-			
chr	-	-	product family	PwrBlade+	rel level	Released			
appr	Pei-Ming Zheng	2015/01/07			title	3LP + 16S + 4LP		rev	
www.fci.com			cat. no.	Product - Customer Drw	dwg no	10106265_0704001		rev	A
			sheet 3 of 3						



Copyright FCI.