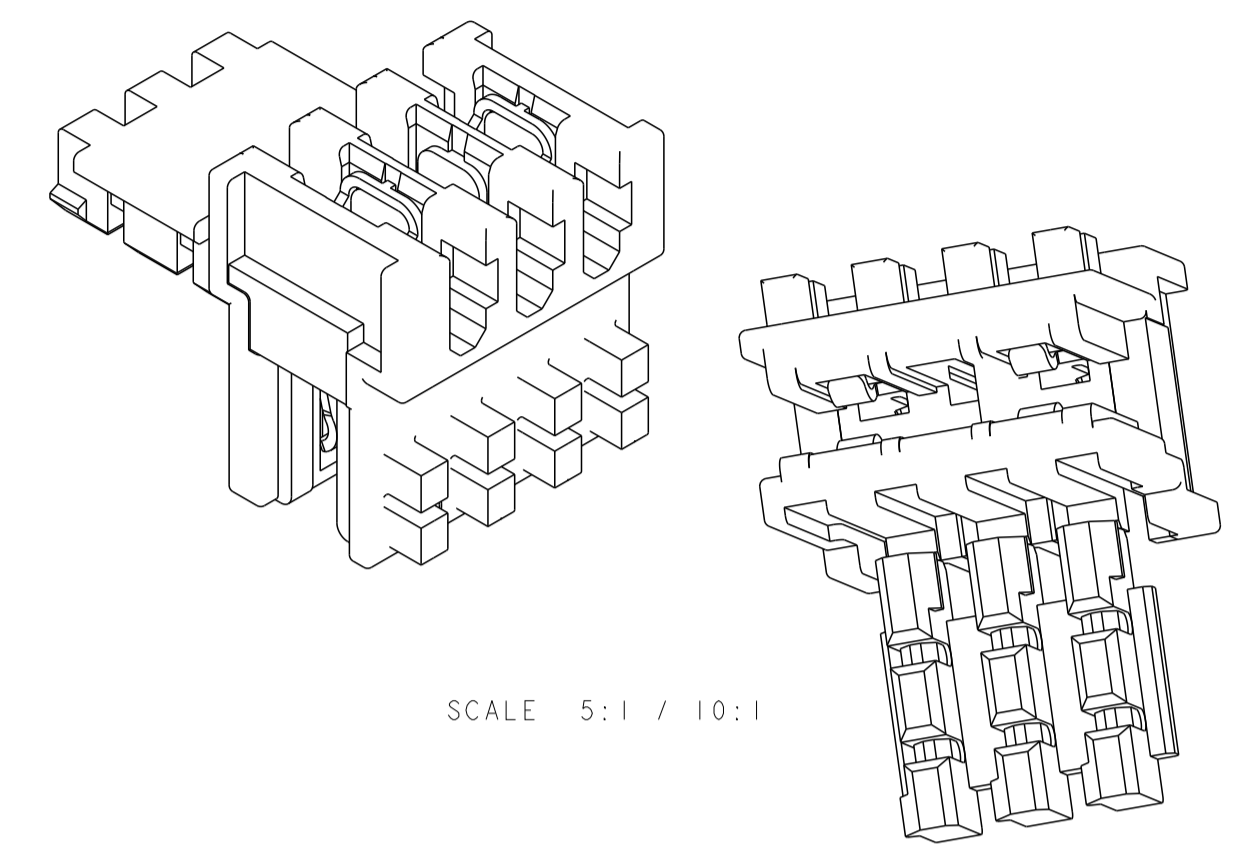
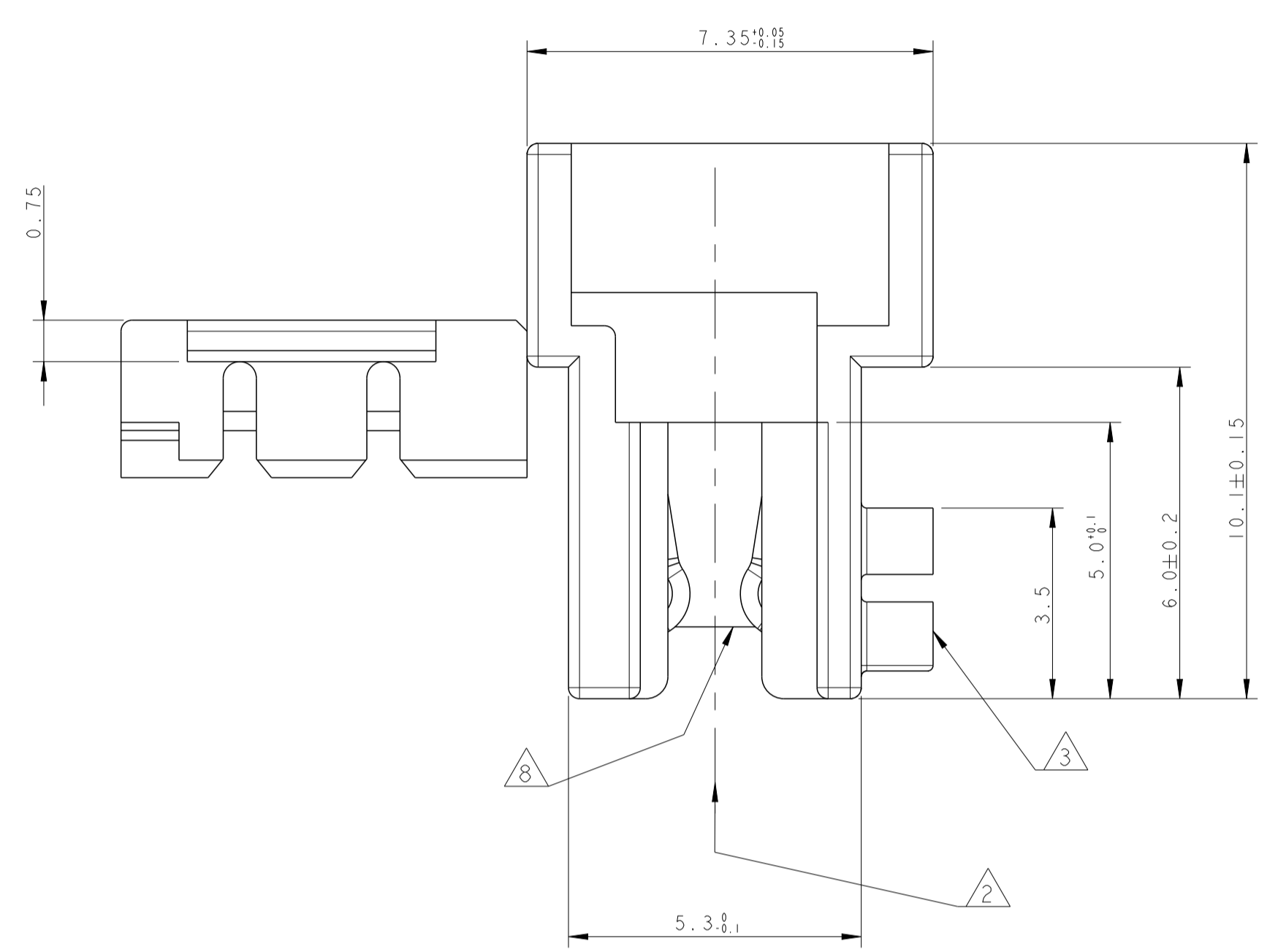
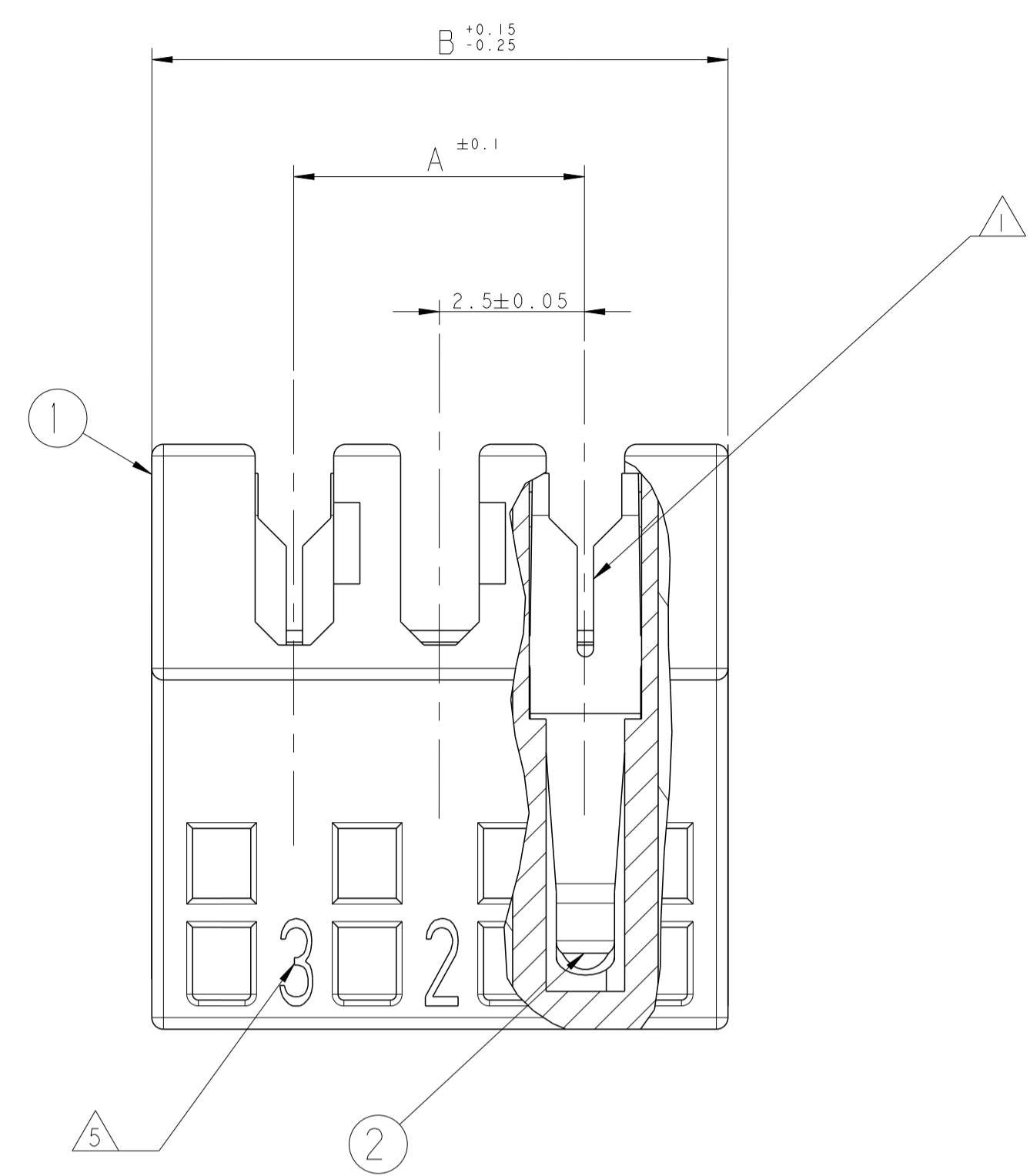
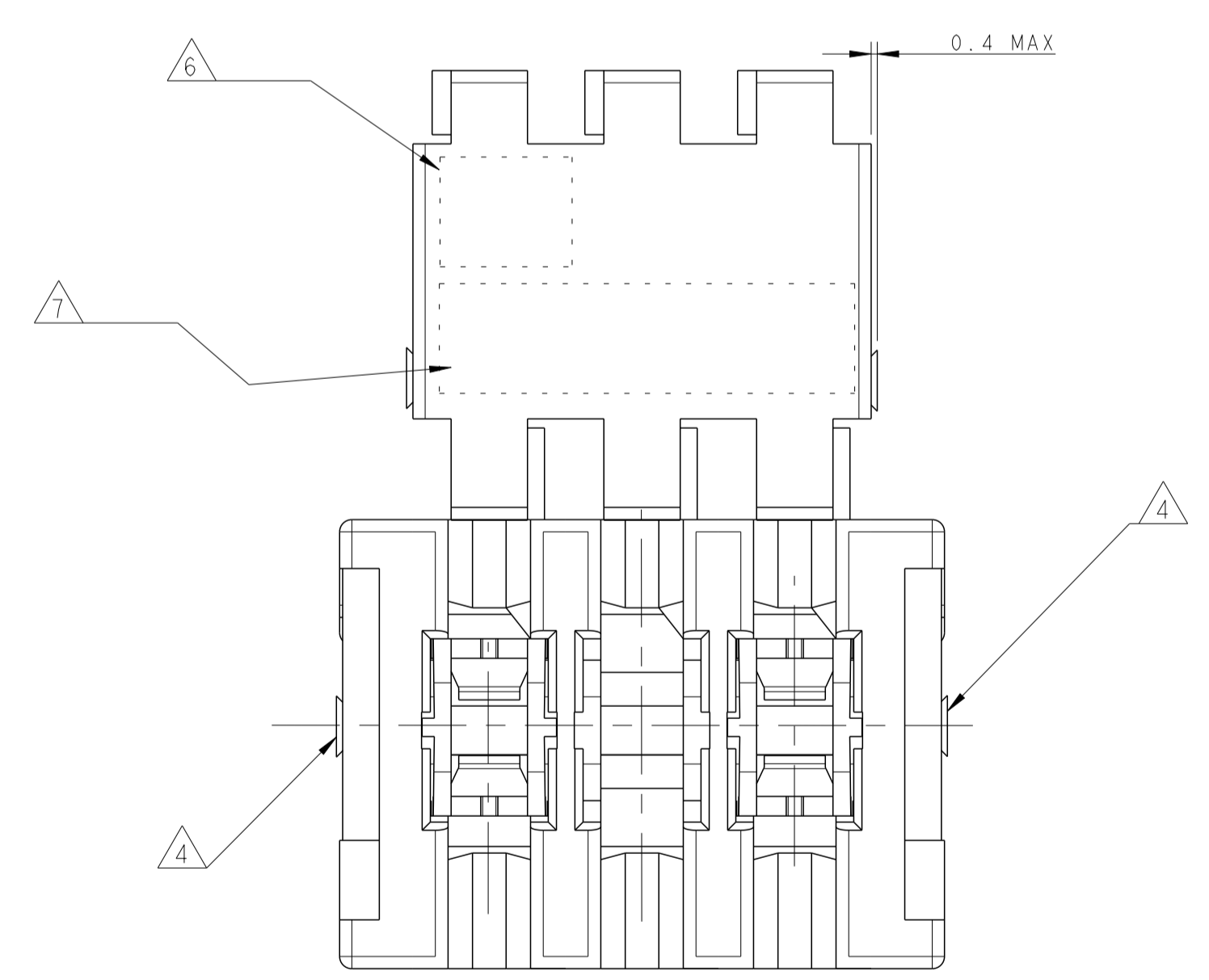


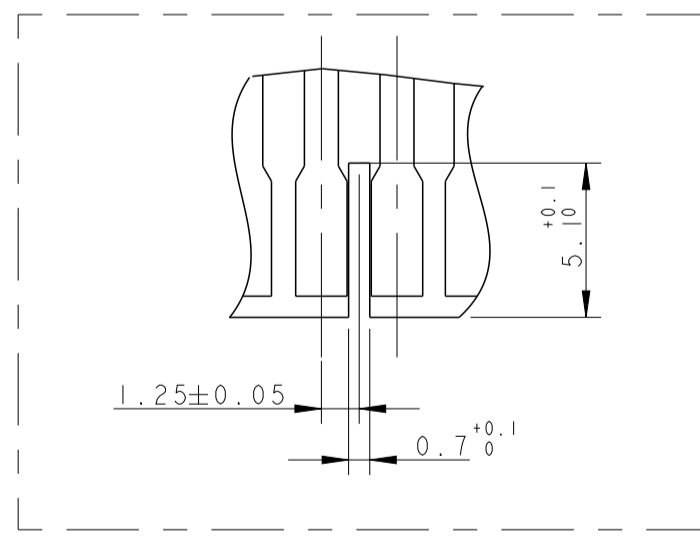
LOC		DIST		REVISIONS			
P	LTN	DESCRIPTION	DATE	DWN	APVD		
C7		REVISED PER ECR-15-012073	13AUG2015	NK	WW		



SCALE 5:1 / 10:1



- ① WIRE RANGE : STRANDED 0.22-0.35 mm<sup>2</sup> (INS. DIA. 1.30±0.1)
- ② MATING PART: TAB HEADER P/N 829866;  
PCB FRAME P/N 964575 (PCB THK 1.5±0.14 COPPER CLADDING INCLUDED)  
SEE PRODUCT SPEC. 108-18056 FOR FRAME APPLICATION
- ③ KEYING RIBS TO BE REMOVED BY TERMINATION MACHINE
- ④ CUT OFF DIMENSION DUE TO PRODUCTION PROCESS
- ⑤ CIRCUIT No. IDENTIFICATION
- ⑥ TE TRADEMARK (OPTIONAL POSITION)
- ⑦ TAMPOGRAPHIC COLOUR CODE AREA (P/Ns IDENTIFICATION BEFORE CRIMPING)
- ⑧ POLARIZATION RIB BETWEEN CAVITIES, (SEE BELOW TYPICAL POLARIZATION CUTOFF ON PCB)



P/N 0-293207-3 AS SHOWN

MATERIAL	COLOUR CODE	CONTACT LOADING	POLARIZ. RIB POS.	HSG POS.	DIM.A	DIM.B	TE P/N	REV
⑩	ORANGE	SELECTIVELY 1,2,3,5,7,9,11	-	11	25.0	29.9	2-293207-1	C
	GREEN	SELECTIVELY 1,3,5,7,9,11	-				1-293207-1	A
⑨	GREEN	SELECTIVELY 1,3,5,7,9	-	9	20.0	24.9	2-293207-9	A
	ORANGE	SELECTIVELY 1,3,4,6,8,9	2/3				0-293207-9	A
⑩	GREEN	SELECTIVELY 1,3,5,7	-	7	15.0	19.9	0-293207-7	A
	GREEN	FULLY LOADED	5/6	6	12.5	17.4	2-293207-6	A
ORANGE	FULLY LOADED	-	0-293207-6				A	
⑩	GREEN	SELECTIVELY 1,3,5	-	5	10.0	14.9	0-293207-5	B
⑨	GREEN	FULLY LOADED	-	3	5.0	9.9	1-293207-3	C
⑩	ORANGE	SELECTIVELY 1,3	-	3	5.0	9.9	0-293207-3	A

Q.TY	MATERIAL	DESCRIPTION	ITEM
	PH. BRONZE, TIN PLATED	IDC RECEPTACLE CONTACT	2
	PA66 GLASS FIBER FILLED, V0 ACC. TO IEC 60335-1 REV.4 (GWT 750°C NO FLAME) COLOR WHITE OR NATURAL 0022	FEMALE HOUSING	1
	PA66 GLASS FIBER FILLED, V0 ACC. TO IEC 60335-1 REV.4 (GWT 750°C NO FLAME) COLOR WHITE	FEMALE HOUSING	

THIS DRAWING IS A CONTROLLED DOCUMENT. DWN: R. FABRIS 22JUN2006  
 CHK: - 10SEP2012

DIMENSIONS: mm  
 TOLERANCES UNLESS OTHERWISE SPECIFIED:  
 0 PLC ±0.2  
 1 PLC ±0.2  
 2 PLC ±0.2  
 3 PLC ±0.2  
 4 PLC ±0.2  
 ANGLES ±°  
 FINISH -

MATERIAL: SEE TABLE

Customer Drawing

APVD: G. TURCO 22JUN2006  
 PRODUCT SPEC: 108-20279  
 APPLICATION SPEC: 114-18049-1

NAME: DUOPLUG 2.5 FEMALE CONN. STANDARD

SIZE: A100779  
 CAGE CODE: -  
 DRAWING NO: C=293207

RESTRICTED TO: -

SCALE: 10:1 SHEET 1 OF 1 REV: C7