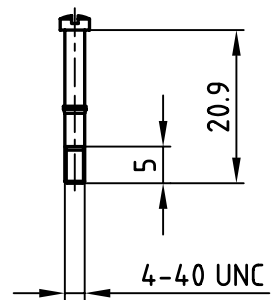
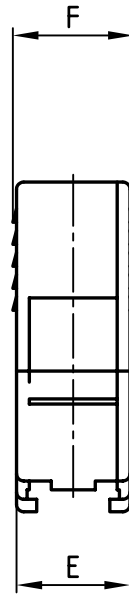
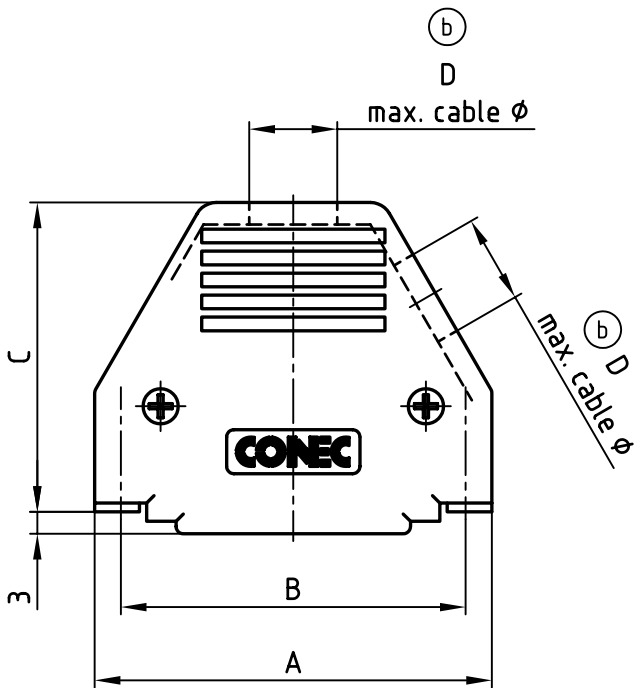


used for: D-SUB



jack screw

POS.	A	B	C	D max. cable ø	E	F	Part No: Bulk package
9	32.0	25.0	36.7	6.3	15.5	16.5	165X11239X
15	40.0	33.3	38.2	8.0	15.5	16.5	165X11249X
25	54.2	47.0	42.2	10.5	15.5	16.5	165X11259X
37	70.6	63.5	47.2	11.5	15.5	16.5	165X11269X
50	68.2	61.1	47.2	13.7	19.6	20.6	165X16539X

NOTES:

- HOOD MATERIAL: ABS UL 94 V0 BLACK
- JACKSCREW MATERIAL: BRASS NICKEL-PLATING

Directive 2002/95/EC
"RoHS"
Compliant

THIS DRAWING MAY NOT BE COPIED OR REPRODUCED IN ANY WAY, AND MAY NOT BE PASSED ON TO A THIRD PARTY WITHOUT WRITTEN PERMISSION.
 OWNERSHIP AND COPYRIGHT OF CONEC GmbH
 DO NOT ALTER CAD DRAWING BY HAND

tolerance				scale: 1:1
				material: SEE NOTES
2002	date	name		title: Plastic hood with top and side cable exit with jack screws, 9 - 50 pos.
drawn	01.03.	Schmidt		
appd.	01.03.	Mickenbecker		
norm				
d-old	KAT11Y9B			dwg no: AutoCAD 2000
4 x b	Ä 2620	06.12.2006	ES	16K1A619
rev.	description	date	name	part no: SEE TABLE



DIN-A
4
sh: 1/1