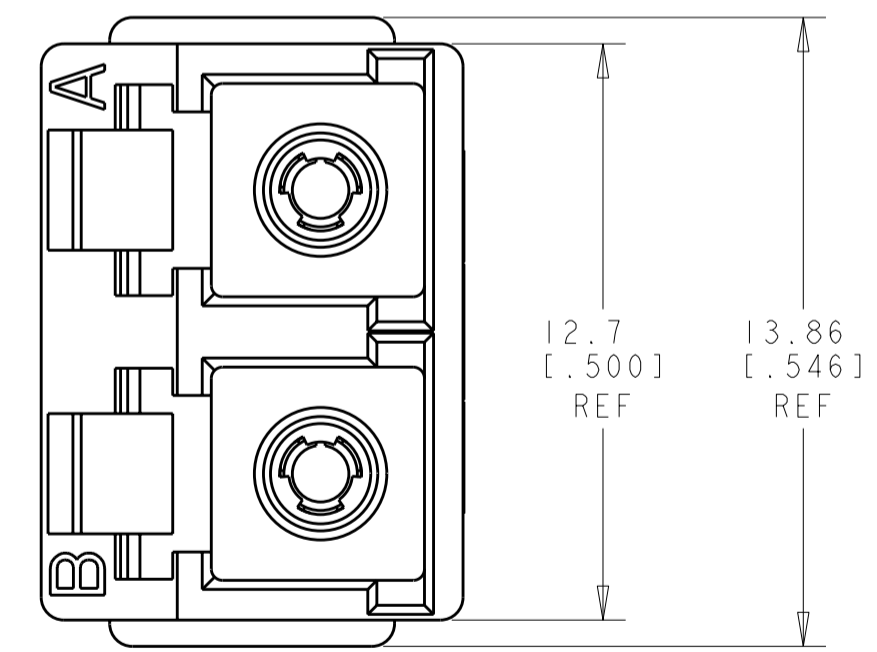
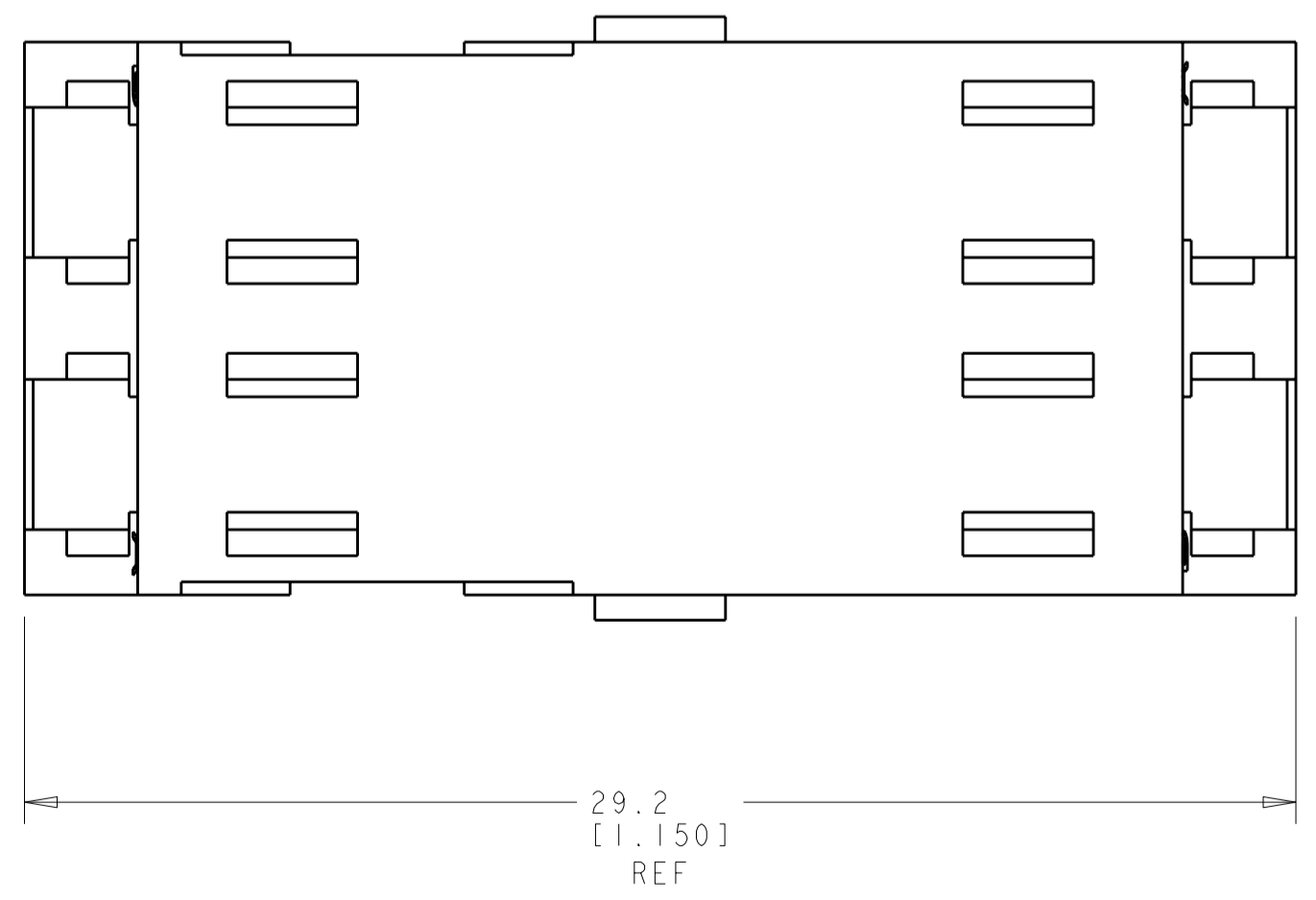
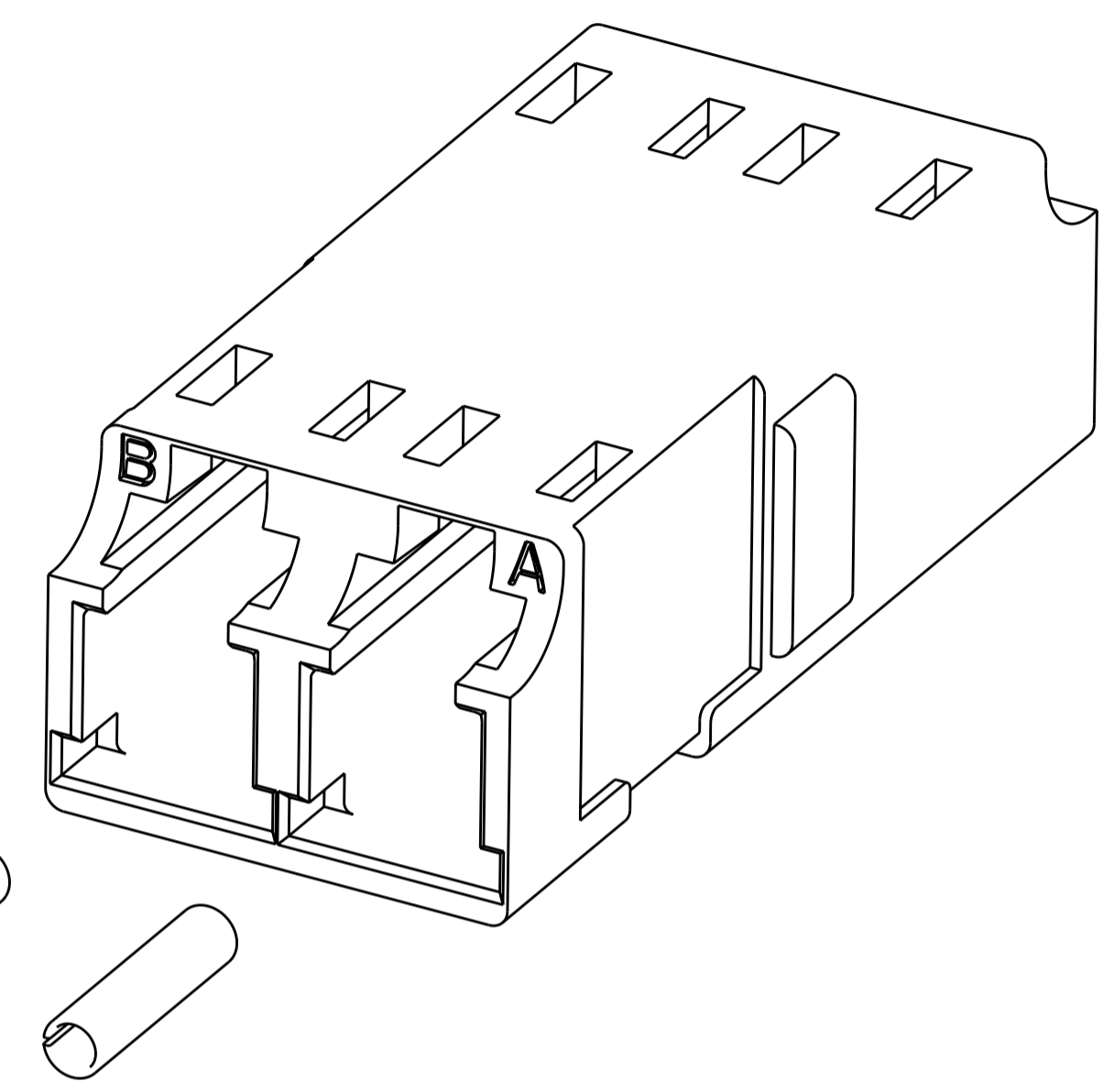
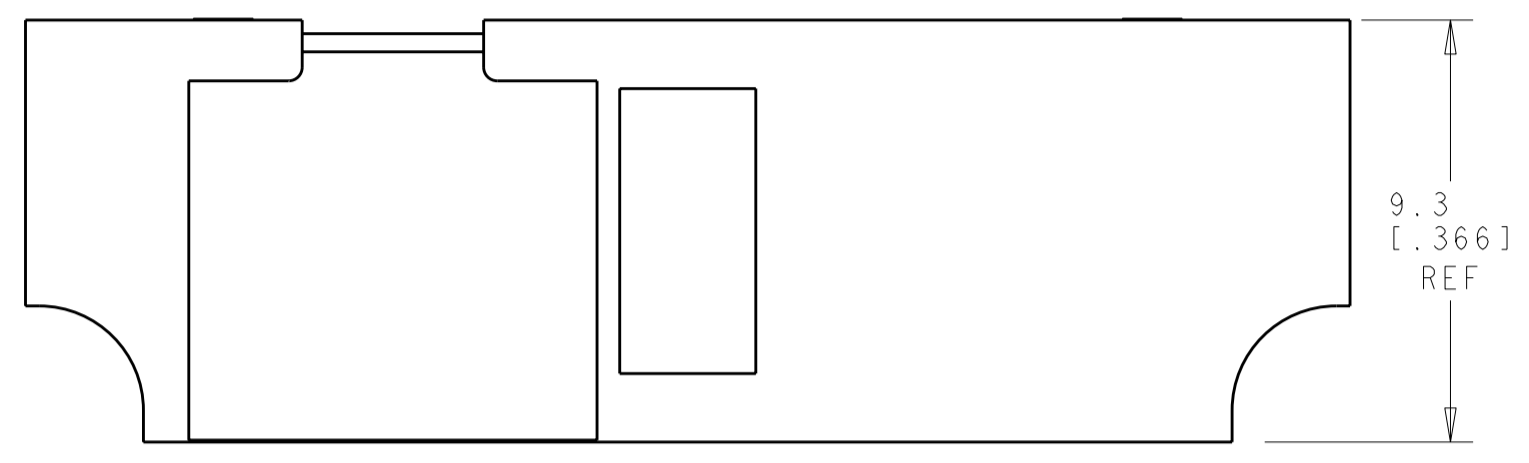


THIS DRAWING IS UNPUBLISHED. RELEASED FOR PUBLICATION 20  
 © COPYRIGHT 20 BY - ALL RIGHTS RESERVED.

LOC	DIST	REVISIONS					
HM	00	P	LTR	DESCRIPTION	DATE	DWN	APVD
		A		RLSD; ECO-11-010701	31MAY2011	GG	RA



AQUA	2111407-8
BLACK	2111407-7
BEIGE	2111407-6
GREEN	2111407-5
BLUE	2111407-2
COLOR	PART NUMBER

THIS DRAWING IS A CONTROLLED DOCUMENT.		DWN	G. GARRETT	31MAY2011	TE Connectivity				
DIMENSIONS: mm [INCHES]		CHK	R. ASHBY	31MAY2011					
TOLERANCES UNLESS OTHERWISE SPECIFIED:		APVD	R. ASHBY	31MAY2011					
0 PLC ± 1 PLC ± 2 PLC ± 3 PLC ± 4 PLC ± ANGLES ± FINISH		PRODUCT SPEC	NAME			DUPLEX, LC ADAPTER, SM-MM			
MATERIAL	-	APPLICATION SPEC	-		SIZE	CAGE CODE	DRAWING NO	RESTRICTED TO	
		WEIGHT	-		A200779	C-2111407			
CUSTOMER DRAWING					SCALE	4:1	SHEET	OF	REV
									A