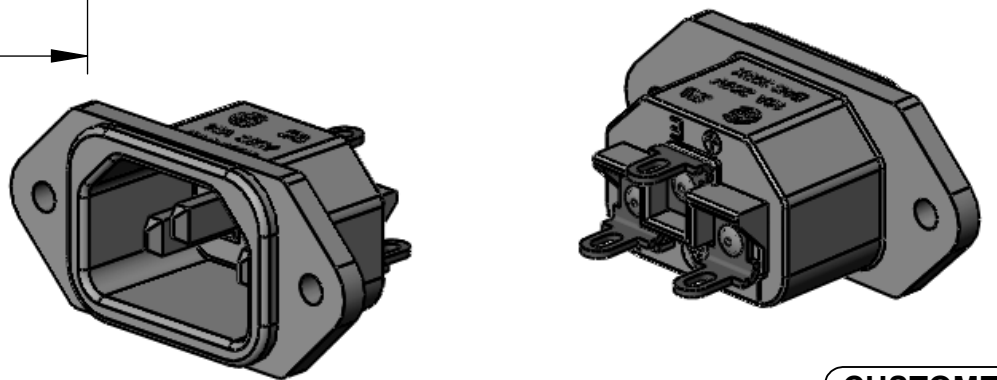


- NOTES:
1. AGENCY IDENTIFICATION & RATING:
UL & CSA: 15A 250V
VDE: 10A, 250V
 2. MEETS IEC 60320 SPECIFICATION
 3. MATERIALS:
HOUSING: BLACK POLYESTER
TERMINALS: TIN PLATED COPPER ALLOY
CONTACT PINS: TIN PLATED COPPER ALLOY
 4. THIS PRODUCT IS RoHS COMPLIANT.



CUSTOMER DRAWING

REV	ECO NUMBER	DATE	BY	APVD
A	26895	12/16/11	BL	TJK
REVISIONS				

UNLESS OTHERWISE SPECIFIED

1. ALL DIMENSIONS IN INCHES

- TWO PLACE DECIMALS ±0.02

- THREE PLACE DECIMALS ±0.005

DO NOT SCALE DRAWING

THIS DRAWING DESCRIBES A DESIGN CONSIDERED PROPRIETARY IN NATURE, DEVELOPED AND MANUFACTURED BY SWITCHCRAFT INC. AND IS RELEASED ON A CONFIDENTIAL BASIS FOR IDENTIFICATION PURPOSES ONLY.										
SIZE	WIDTH	MULT	LBS/M	TEMPER						
FINISH SPEC No.					MATERIAL SPEC No.					
FIRST USED ON				SCALE 2:1		Switchcraft [®]				
DATE DRAWN	BY	CHKD	APVD							
11/17/11	BL	BL	TJK	11/17/11		SHEET 1 OF 1				
NAME MALE AC RECEPTACLE STD SOLDER TERMINALS, RoHS								PART No. EAC309X		REV A