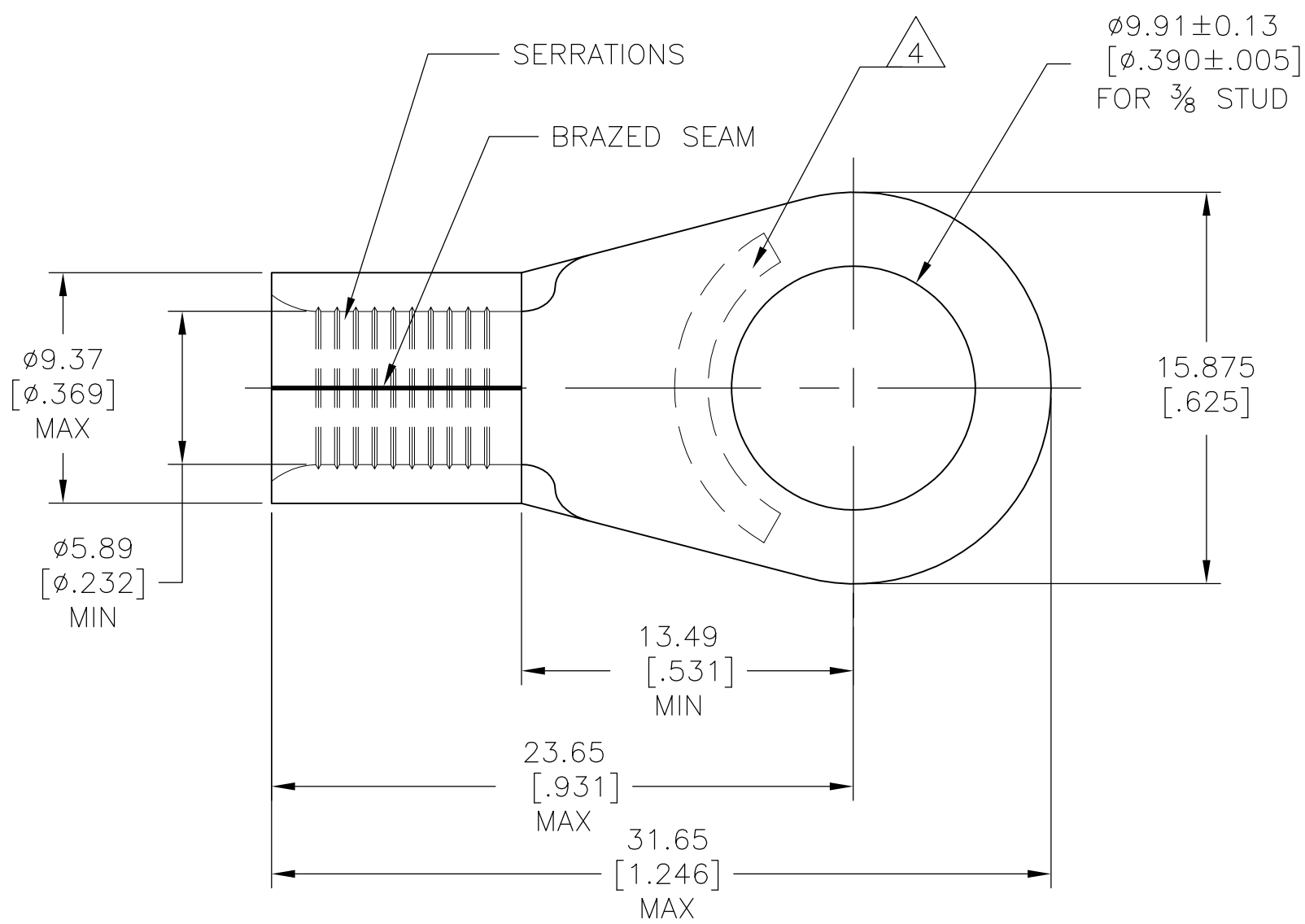


THIS DRAWING IS UNPUBLISHED. RELEASED FOR PUBLICATION
 © COPYRIGHT - By - ALL RIGHTS RESERVED.

LOC	DIST	REVISIONS			
P	LTR	DESCRIPTION	DATE	DWN	APVD
G	86	B	REVISED PER ECO-10-012870	02MAY11	HMR DR

AMP
 WIRE RANGE
 6 AWG
 SOLID OR STRANDED



- 1 THE TONGUE MATERIAL THK IS 1.45 ± 0.08 [$.057 \pm .003$]
- 2 GOLD PLATE .000050 MIN EXT THK PER ASTM B488, TYPE1 CODE C OVER .000050 MIN EXT THK NICKEL PER SAE AMS QQ-N-290. OVER Cu FLASH PER SAE AMS2418
- 3 COPPER PER ASTM B-152, ANNEALED
- 4 STAMP AMP 6* APPROX AS SHOWN.

100	LOOSE PIECE	696964-1
QTY	PACKAGING TYPE	PART NO

AMP INCORPORATED CUSTOMER SERVICE SYSTEMS		MAX RECOMMENDED OPERATING TEMPERATURE: 260°C
FOR ADDITIONAL PRODUCT INFORMATION OR COPIES OF DRAWINGS AND TECHNICAL DOCUMENTS	PRODUCT INFORMATION CENTER 1-800-522-6752	VOLTAGE RATING: NOT APPLICABLE
FOR APPLICATION TOOLING INFORMATION	TOOLING ASSISTANCE CENTER 1-800-722-1111	WIRE CROSS SECTIONAL AREA RANGE: 10.5-16.8mm ² [20,800-33,100] CMA SOLID OR STRANDED
FOR ORDER ENTRY	1-800-526-5142	THIS DRAWING IS A CONTROLLED DOCUMENT FOR AMP INCORPORATED. IT IS SUBJECT TO CHANGE AND THE CONTROLLING ENGINEERING ORGANIZATION SHOULD BE CONTACTED FOR THE LATEST REVISION.

THIS DRAWING IS A CONTROLLED DOCUMENT.	
DIMENSIONS: mm [INCHES]	TOLERANCES UNLESS OTHERWISE SPECIFIED:
	0 PLC ± -
	1 PLC ± -
	2 PLC ± -
	3 PLC ± -
	4 PLC ± -
	ANGLES ± 1°
MATERIAL	FINISH
- 3	- 2

DWN JR RUTH 01MAR10	STE TE Connectivity			
CHK TOM MICHIELUTTI 01MAR10				
APVD TOM MICHIELUTTI 01MAR10	NAME TERMINAL, RING TONGUE, SOLISTRAND, HEAT RESISTANT,STRATO-THERM			
PRODUCT SPEC	SIZE	CAGE CODE	DRAWING NO	RESTRICTED TO
APPLICATION SPEC	A3	00779	C-696964	-
WEIGHT	CUSTOMER DRAWING		SCALE	SHEET
-	4:1		1 OF 1	REV B