

## DETAILS

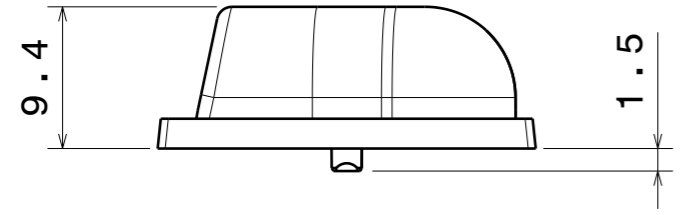
<b>Product Number</b>	C14031_STRADA-SQ-T4
<b>Family</b>	Strada
<b>Type</b>	Lens
<b>Color</b>	clear
<b>Diameter</b>	25x25 mm
<b>Height</b>	9,4 mm
<b>Style</b>	square
<b>Optic Material</b>	PMMA
<b>Holder Material</b>	
<b>Fastening</b>	screw, pin
<b>Status</b>	production ready
<b>ROHS Compliant</b>	Yes
<b>Date Updated</b>	7/06/2016



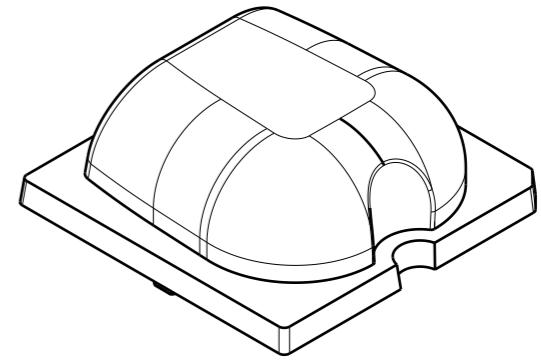
## OPTICAL PROPERTIES

LED	Viewing Angle	Light Beam	Efficiency	cd/lm	Connector
MK-R	asymmetric deg	Streetligh...	92 %	0.480	-
MHB-A	sim: Asymmetric	Streetligh...	-	-	-
XHP50	Asymmetric deg	Streetligh...	93 %	0.550	-
LUXEON M/MX	asymmetric deg	Streetligh...	92 %	0.500	-
LUXEON MZ	asymmetric deg	Streetligh...	94 %	0.680	-
NFMW48xA	Asymmetric deg	Streetligh...	93 %	0.580	-
Duris S8	sim: Asymmetric	Streetligh...	sim: 93 %	-	-
Duris P10	sim: Asymmetric	Streetligh...	sim: 92 %	sim: 0.523	-

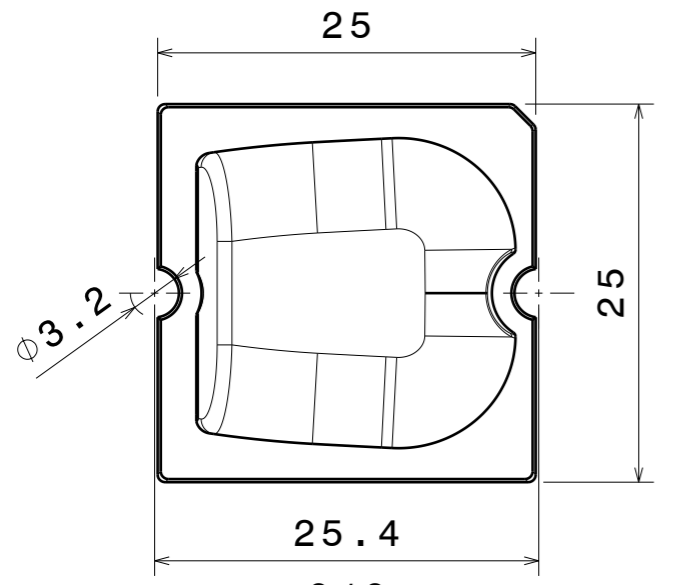
H G F E D C B A



Front view

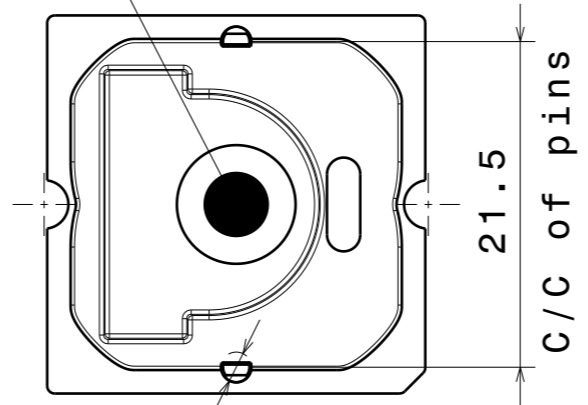


Isometric view  
Scale: 2:1



Top view

LED position



Bottom view

Tolerances if not otherwise shown  
According to DIN ISO 2768-1  
Linear measures:  
Up to 30mm class M, otherwise class C.  
According to DIN ISO 2768-2  
Form and position: class L

**LEDiL** LediL Oy  
Salorankatu 10  
FIN 24240 SALO  
Finland

THIRD ANGLE PROJECTION:

DRAWING TITLE  
**STRADA-SQ-T4 Mechanical Drawing**

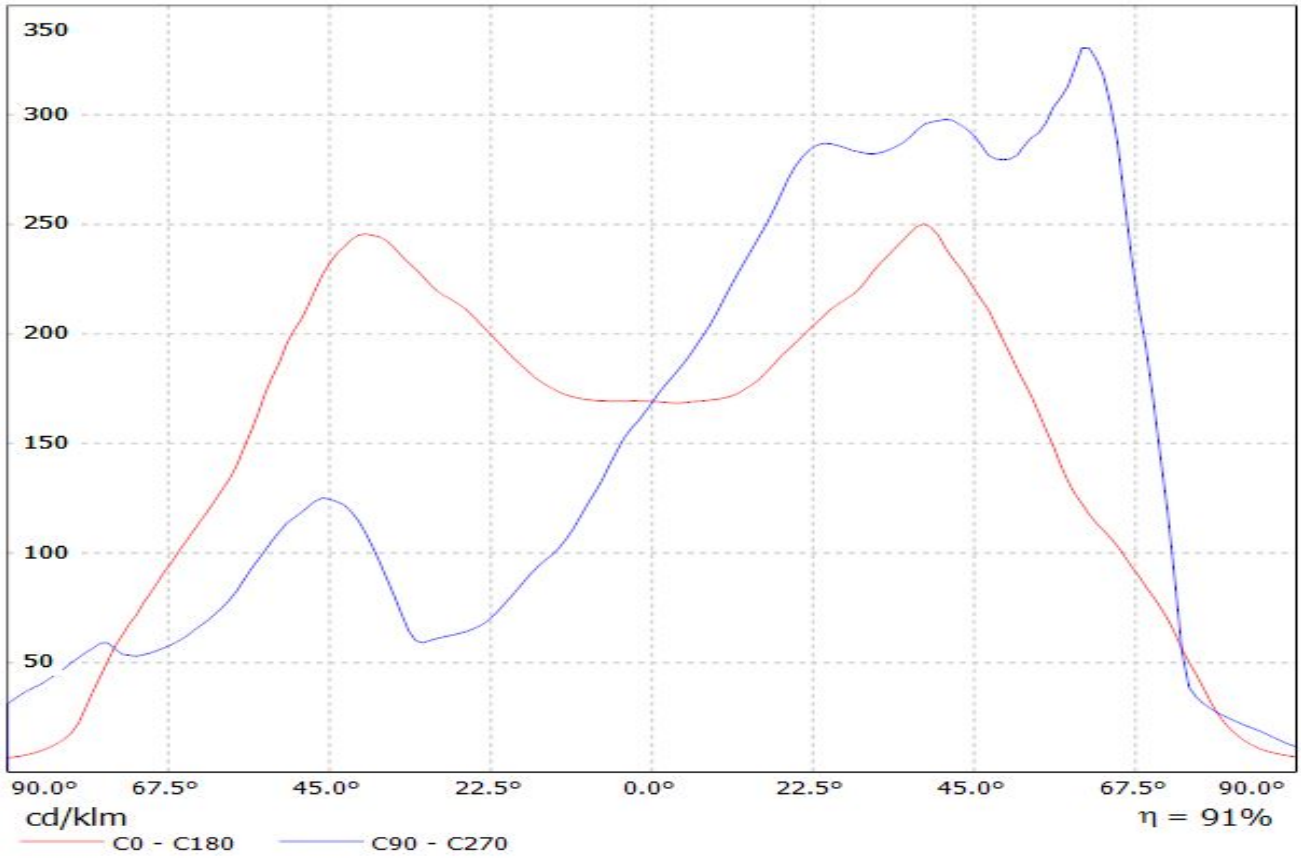
This drawing is the property of LEDiL Oy. It may not be reproduced, copied or communicated without a written agreement with LEDiL Oy."

SIZE	PART NUMBER		
A3	-		

SCALE	2:1	WEIGHT	-	SHEET	1/1
-------	-----	--------	---	-------	-----

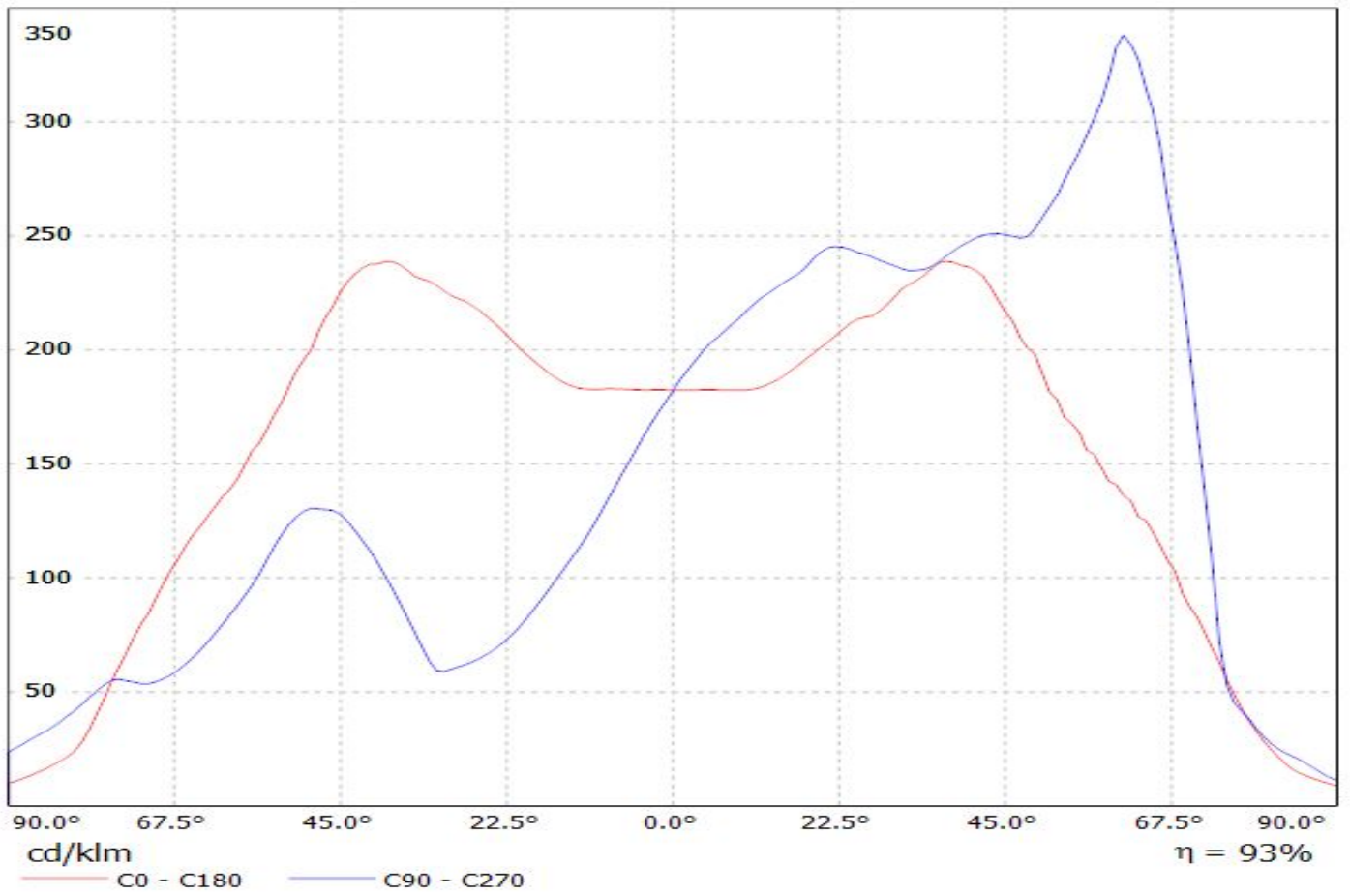
H G B A

Luminaire: LEDiL Oy STRADA-SQ-T4\_(MK-R)  
Lamps: 1 x CREE\_MK-R\_356.736lm@250mA\_P=2.83786W\_I=249.9mA

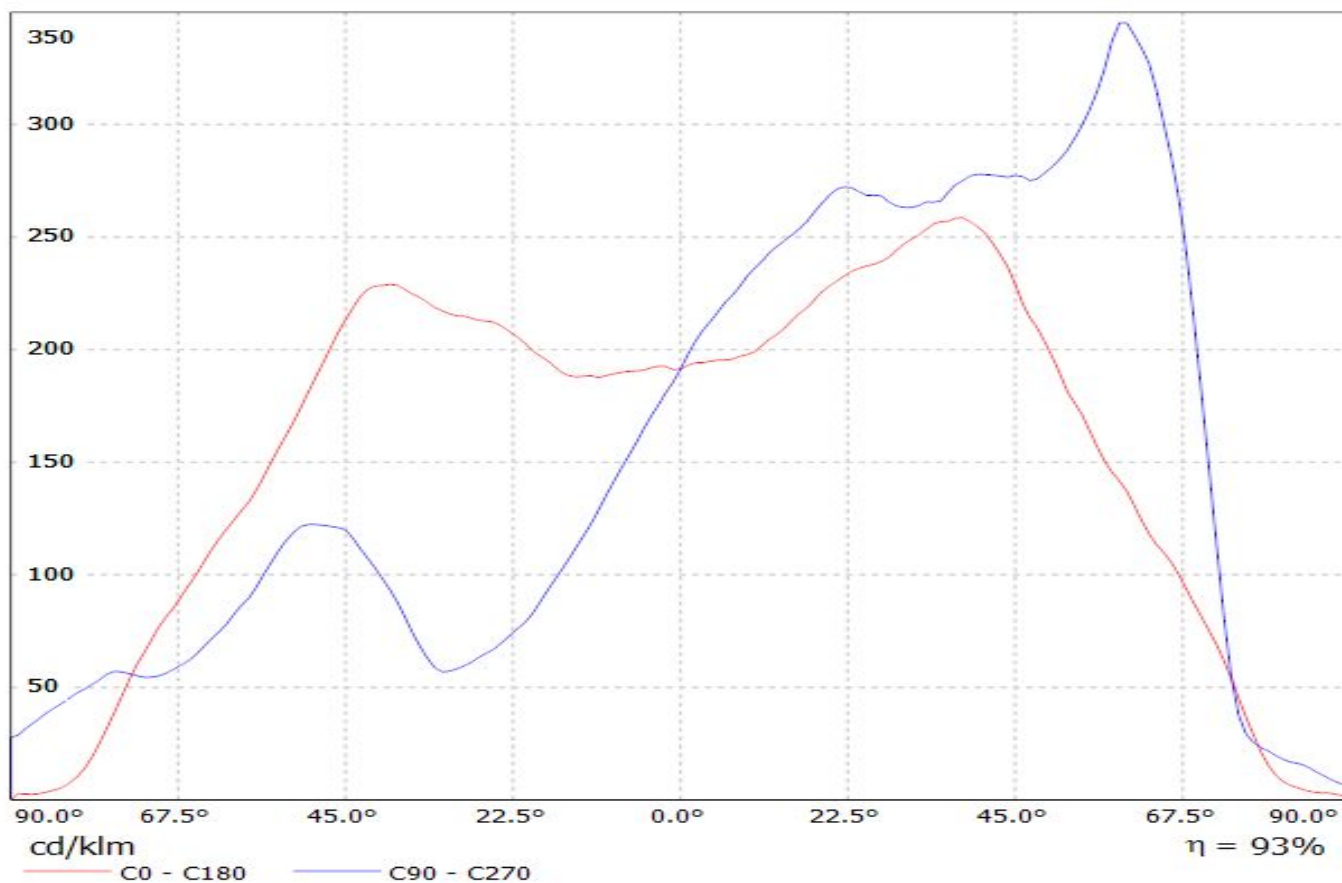


Luminaire: LEDiL Oy C14031\_STRADA-SQ-T4\_(XHP50\_cool\_white)

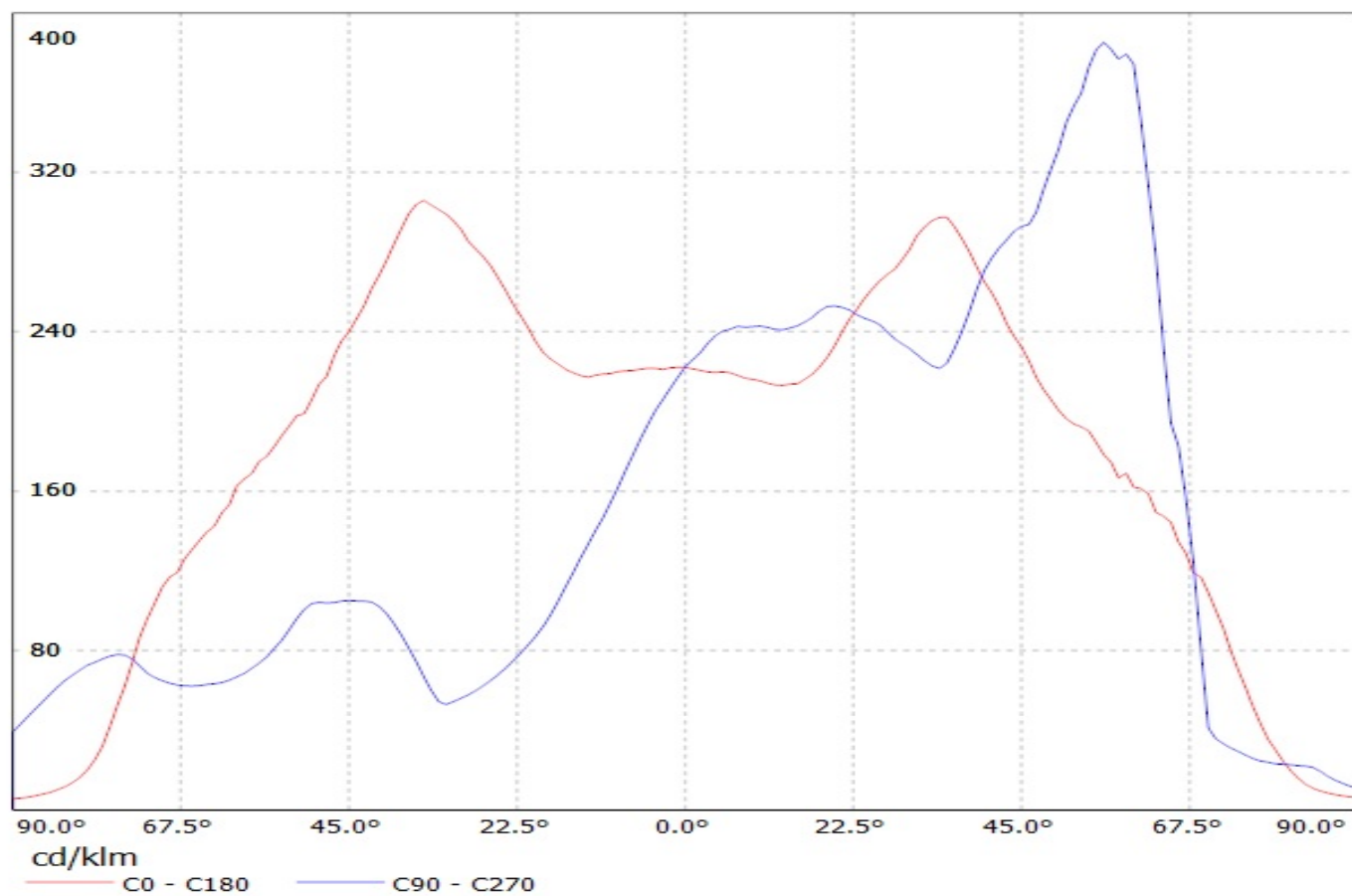
Lamps: 1 x CREE\_XHP50\_cool\_white\_246.221lm@250mA\_P=1.42945W\_I=249.9mA



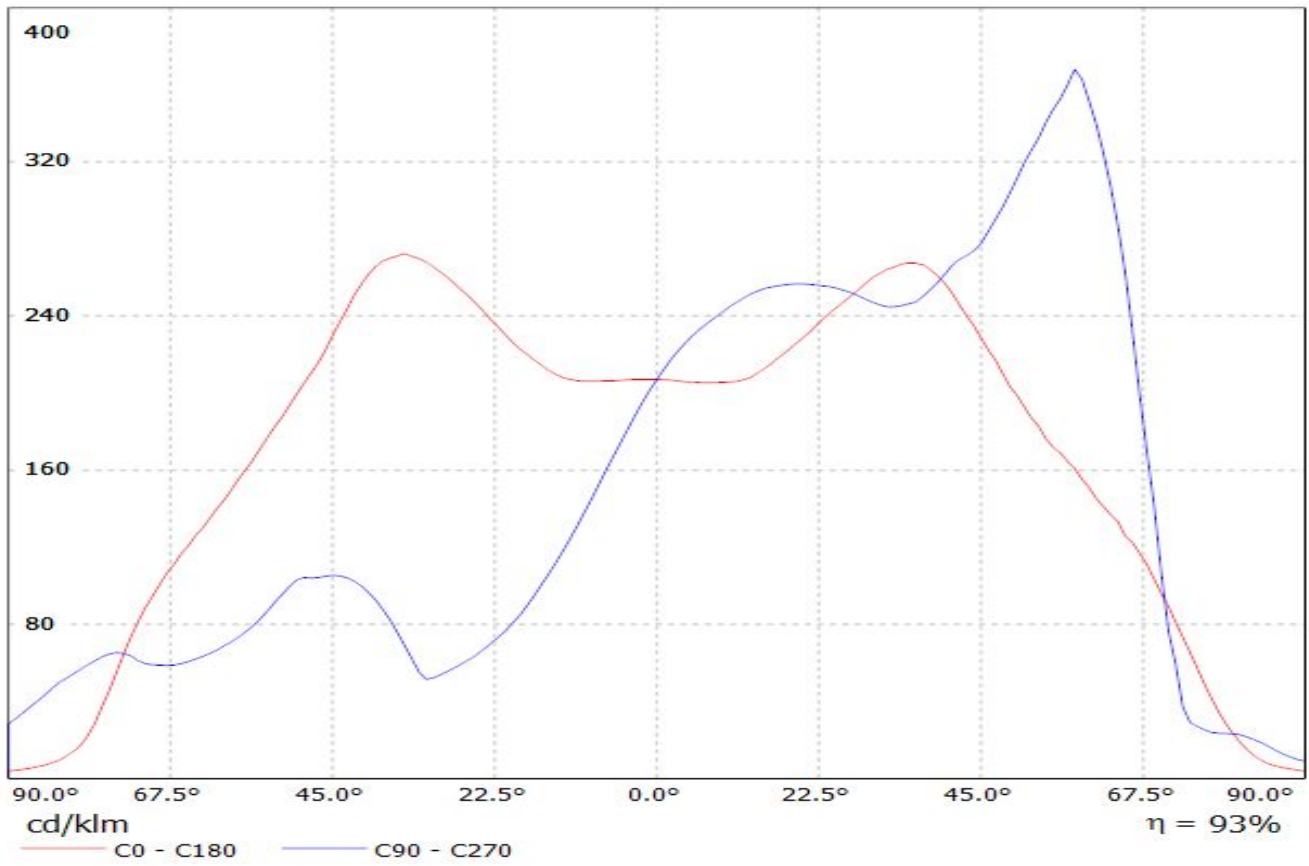
Luminaire: LEDiL Oy STRADA-SQ-T4\_(LuxM)  
Lamps: 1 x Luxeon M LXR7-SW30 360lm@250mA CCT:3000K



Luminaire: LEDiL Oy C14031\_STRADA-SQ-T4\_(Luxeon\_MZ) Eff: 94%  
Lamps: 1 x Luxeon\_MZ\_263.325lm@250mA\_P=2.7414W\_I=249.9mA

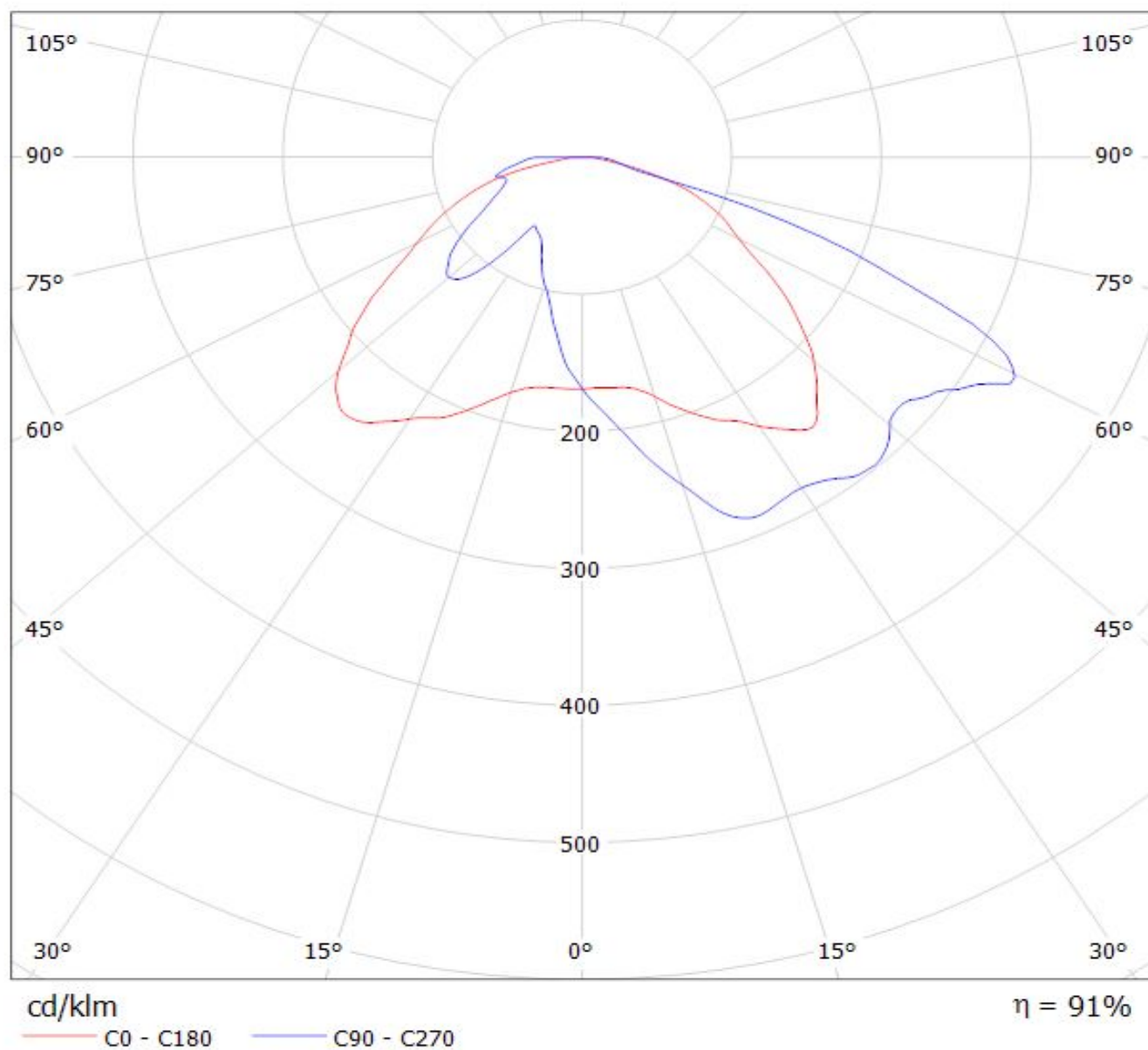


Luminaire: LEDiL Oy C14031\_STRADA-SQ-T4\_(NFMx48xAR)  
Lamps: 1 x Nichia\_NFMx48xAR\_(NFMW488AR)\_574.333lm@100mA\_P=4.0048W\_I=0.100A



Luminaire: LEDiL Oy STRADA-SQ-T4\_(MK-R)

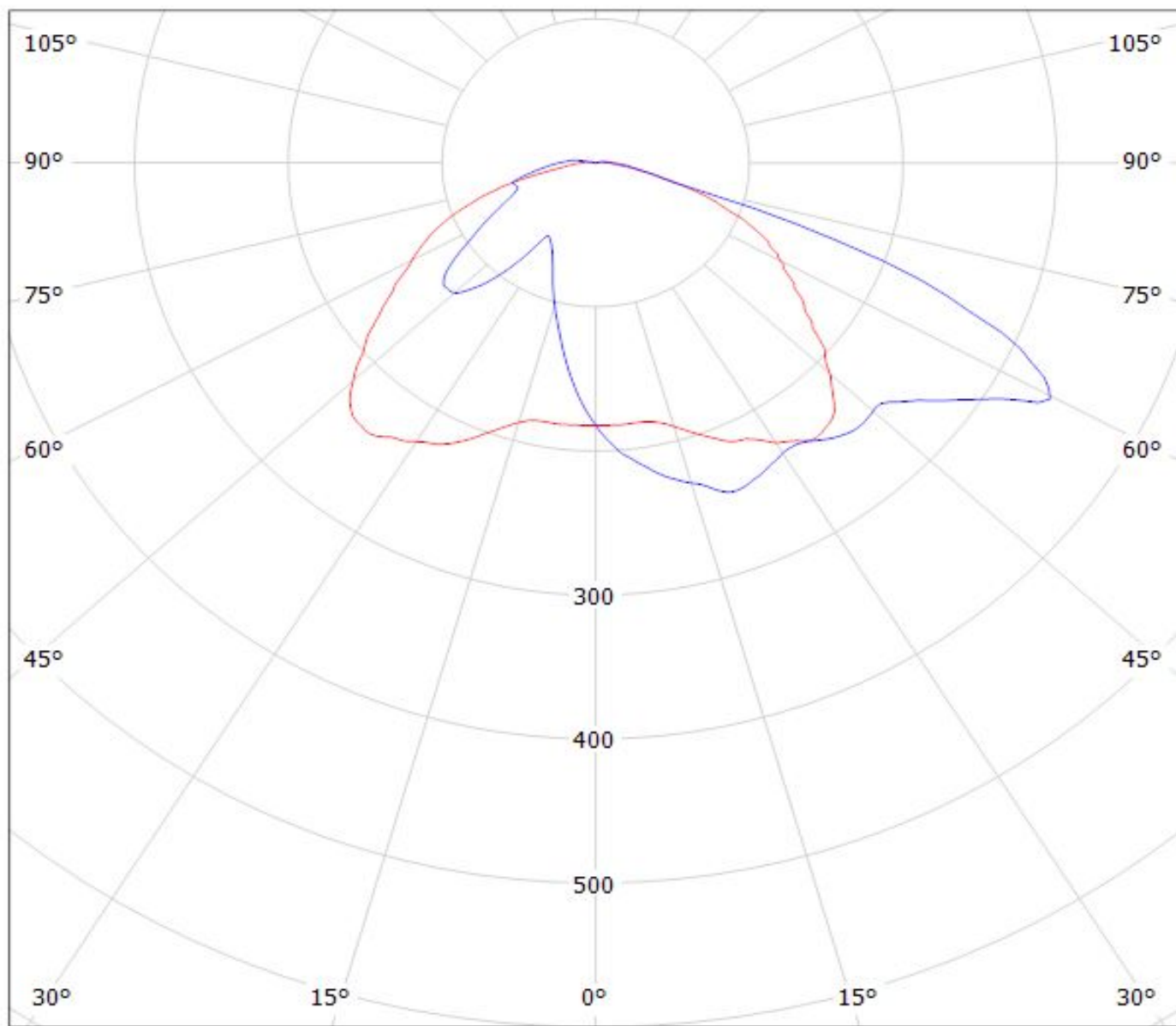
Lamps: 1 x CREE\_MK-R\_356.736lm@250mA\_P=2.83786W\_I=249.9mA





Luminaire: LEDiL Oy C14031\_STRADA-SQ-T4\_(XHP50\_cool\_white)

Lamps: 1 x CREE\_XHP50\_cool\_white\_246.221lm@250mA\_P=1.42945W\_I=249.9mA

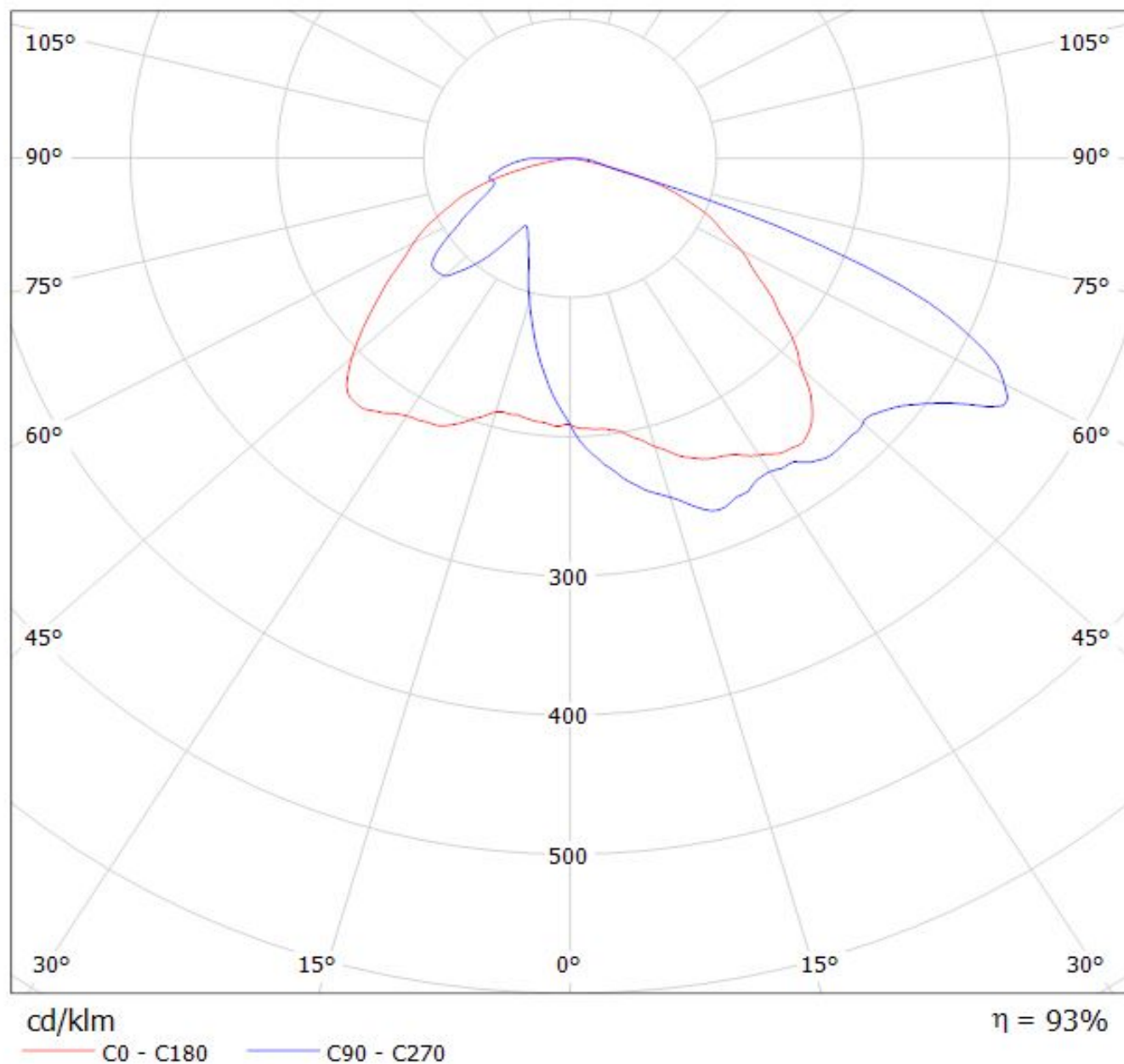


cd/klm

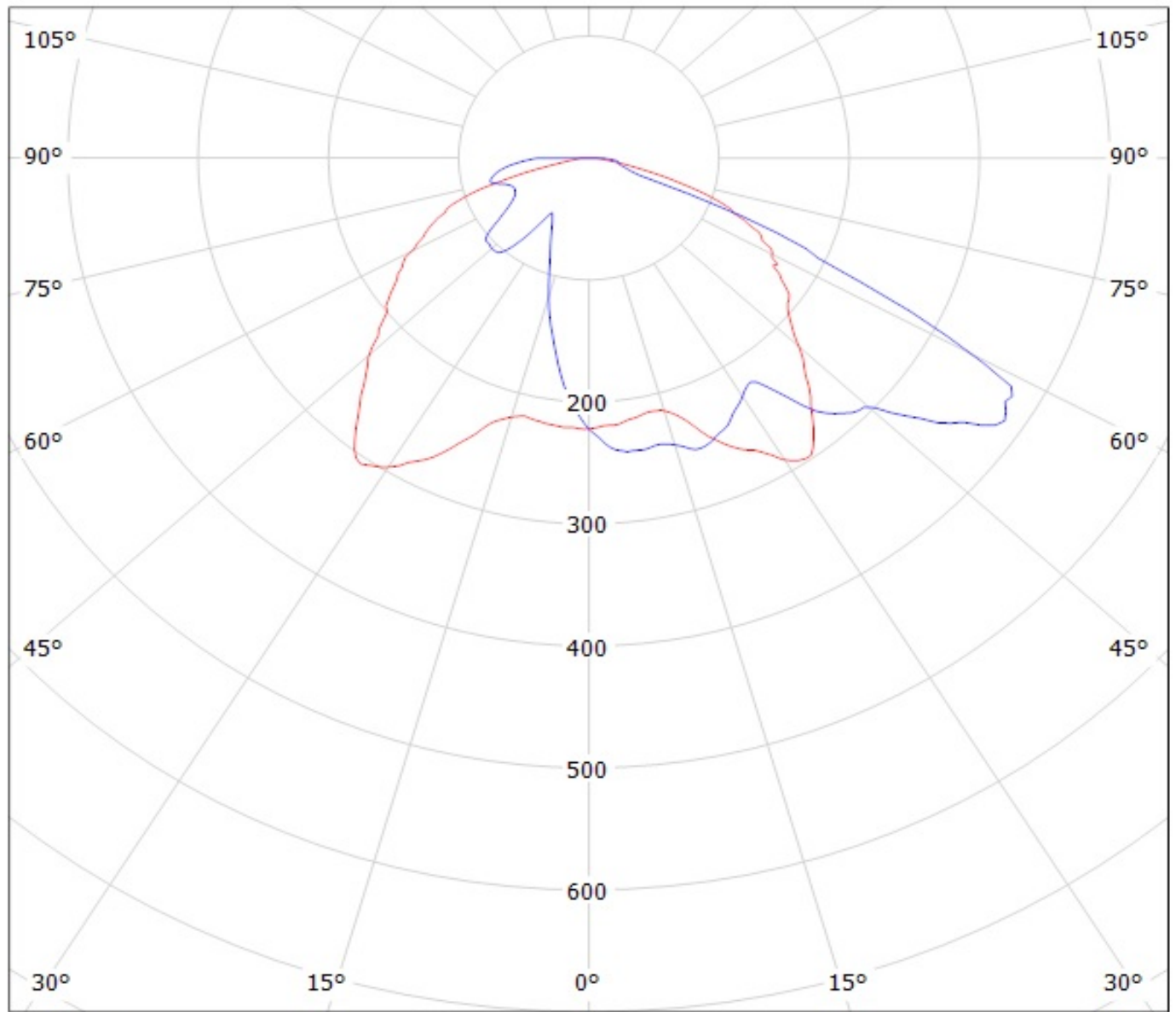
— C0 - C180    — C90 - C270

$\eta = 93\%$

Luminaire: LEDiL Oy STRADA-SQ-T4\_(LuxM)  
Lamps: 1 x Luxeon M LXR7-SW30 360lm@250mA CCT:3000K



Luminaire: LEDiL Oy C14031\_STRADA-SQ-T4\_(Luxeon\_MZ) Eff: 94%  
Lamps: 1 x Luxeon\_MZ\_263.325lm@250mA\_P=2.7414W\_I=249.9mA

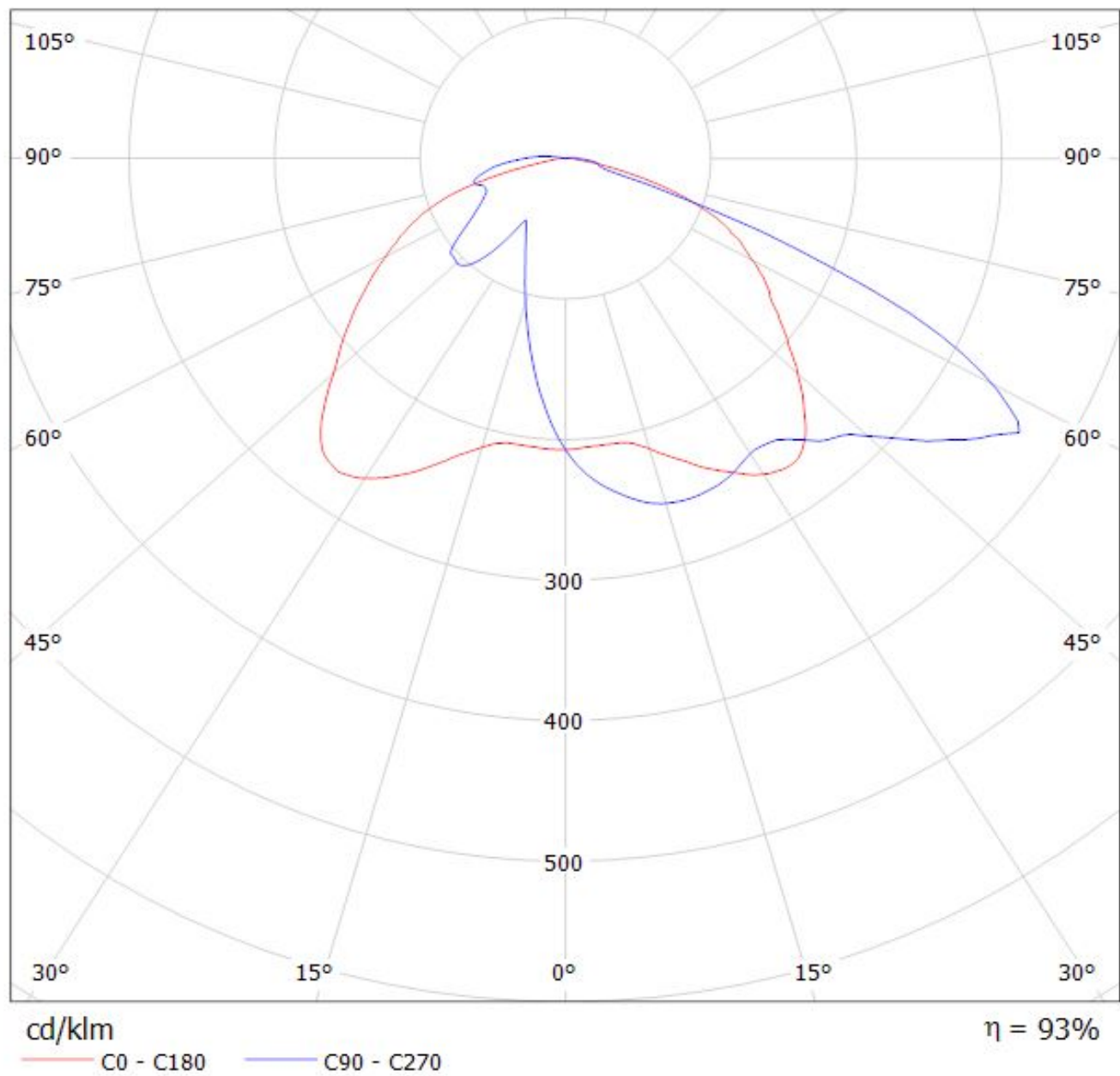


cd/klm

— C0 - C180    — C90 - C270

Luminaire: LEDiL Oy C14031\_STRADA-SQ-T4\_(NFMx48xAR)

Lamps: 1 x Nichia\_NFMx48xAR\_(NFMW488AR)\_574.333lm@100mA\_P=4.0048W\_η=0.100A



**NOTE: The typical divergence will be changed by different color, chip size and chip position tolerance. The typical total divergence is the full angle measured where the luminous intensity is half of the peak value.**