

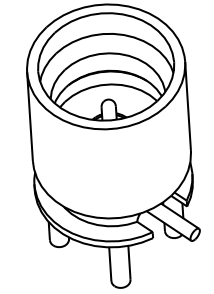
NOTES:

1. MATERIALS AND FINISHES:
  - BODY - STAINLESS STEEL 303, GOLD PLATING, .000030 THICK OVER NICKEL
  - CONTACT - PHOSPHOR BRONZE, GOLD PLATING, .000030 THICK OVER COPPER
  - INSULATOR - TORLON
2. ELECTRICAL:
  - A. IMPEDANCE: 50 OHM
  - B. FREQUENCY RANGE: DC - 18 GHz
  - C. R.F. INSERTION LOSS: 0.1dB MAX TO 18 GHz
  - D. VSWR: 1.15:1 MAX TO 18 GHz
3. MECHANICAL:
  - A. TEMPERATURE RANGE: -65° C TO +165° C
4. PACKAGING:
  - A. QUANTITY: SINGLE PACK
  - B. MARKING: BAG TO BE MARKED "AMPHENOL, SMP-MSLD-PCS-2 , AND DATE CODE"

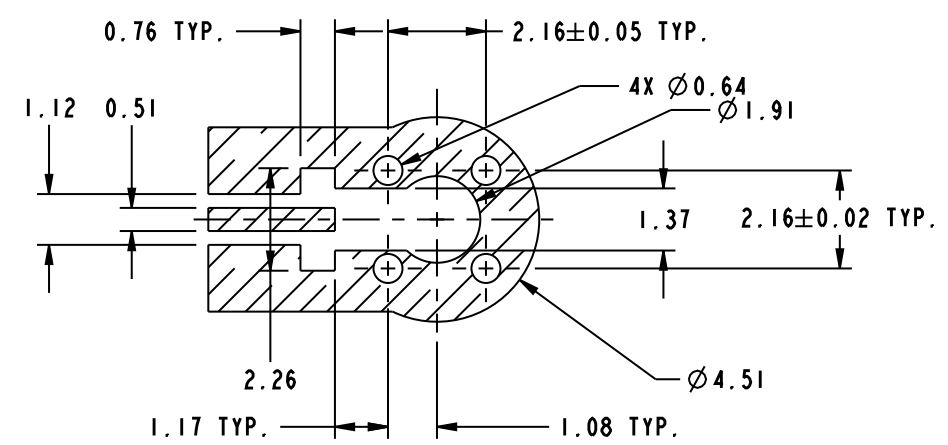
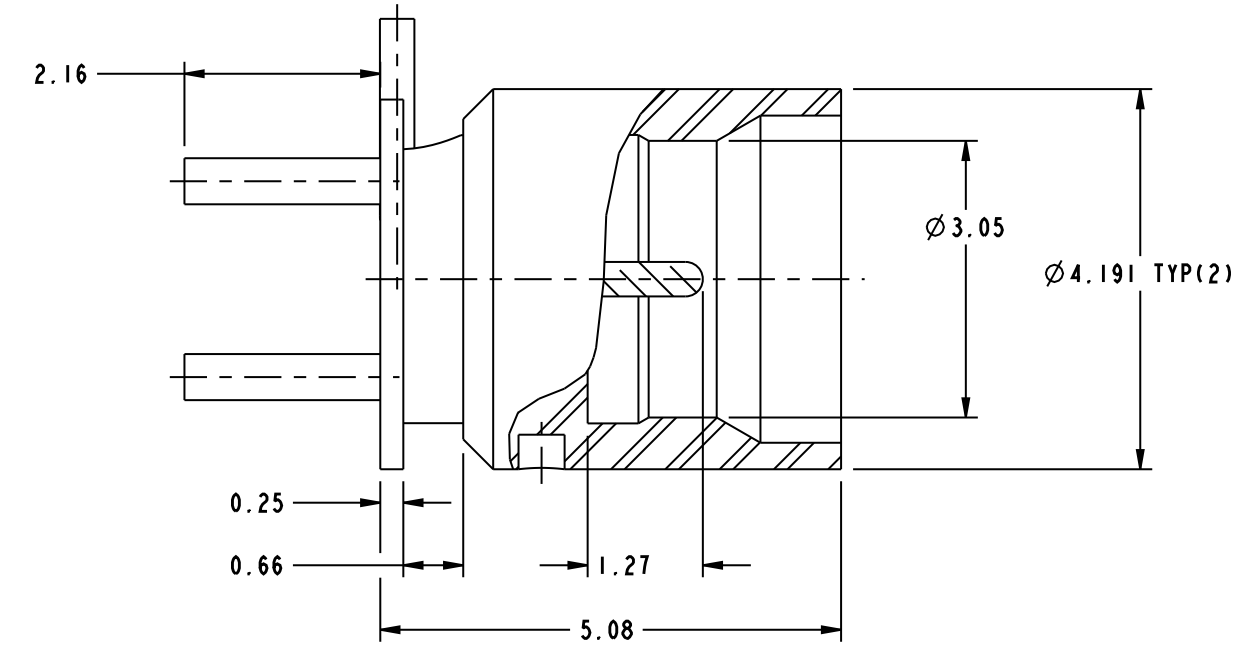
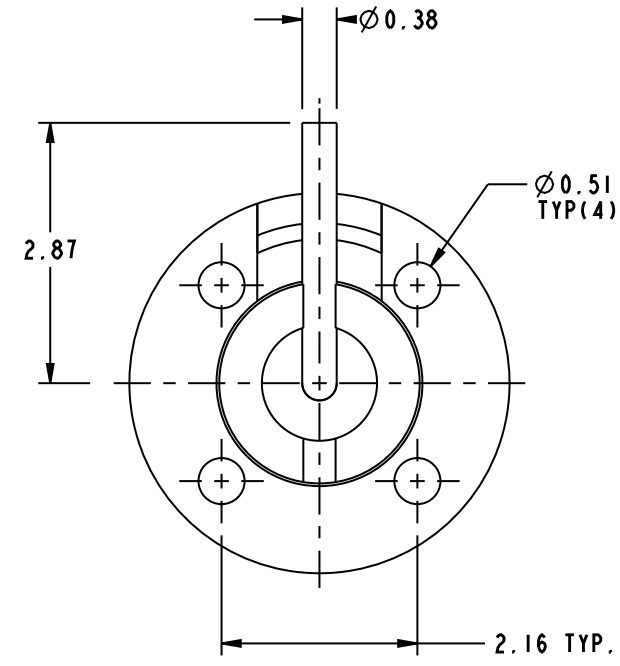
THIRD ANGLE PROJ.

REVISIONS

REV	DESCRIPTION	DATE	ECO	APPR
A	RELEASE TO MFG.	18-Dec-07	46867	SH
B	SEE SHEET 1 \ RD-DM10030101K	03-Mar-10	48005	SH



SCALE 5.000



RECOMMENDED PCB PAD LAYOUT FOR ROGER 4350

**CUSTOMER OUTLINE DRAWING**  
ALL OTHER SHEETS ARE FOR INTERNAL USE ONLY

UNLESS OTHERWISE SPECIFIED, DIMENSIONS ARE IN METRIC AND TOLERANCES ARE: 0.5 - 6mm ±0.1mm    6 - 30mm ±0.2mm    30 - 120mm ±0.3mm    ANGLES ±1°	MATERIAL	DRAWN K.LI	DATE 03-Mar-10	TITLE ASSEMBLY, SMP MALE PCB SURFACE MOUNT LIMITED DETENT		Amphenol RF Danbury CT USA, Tainan, Taiwan, Shenzhen, China www.amphenolrf.com	
	REFERENCE EAR #2319 AND 615X-2333-100	ENGINEER NAVEEN HN	DATE 23-Mar-07				
NOTICE - These drawings, specifications, or other data (1) are, and remain the property of Amphenol corp. (2) must be returned upon request; and (3) are confidential and not to be disclosed to any person other than those to whom they are given by Amphenol Corp. The furnishing of these drawings, specifications, or other data by Amphenol Corp., or to any other person to anyone for any purpose is not to be regarded by implication or otherwise in any manner licensing, granting rights to permitting such holder or any other person to manufacture, use or sell any product, process or design, patented or otherwise, that may in any way be related to or disclosed by said drawings, specifications, or other data.	CONFIGURATION LEVEL: Released	APPROVED S.HSIEH	DATE 03-Mar-10	SCALE: 12.0:1.0	SHEET 2 OF 2	ITEM NO. SMP-MSLD-PCS-2	PART NO. SMP-MSLD-PCS-2
	FINISH	CAD FILE I:\SMP\SMP-MSLD-PCS-2	DWG SIZE B	CODE ID 74868	REV B		