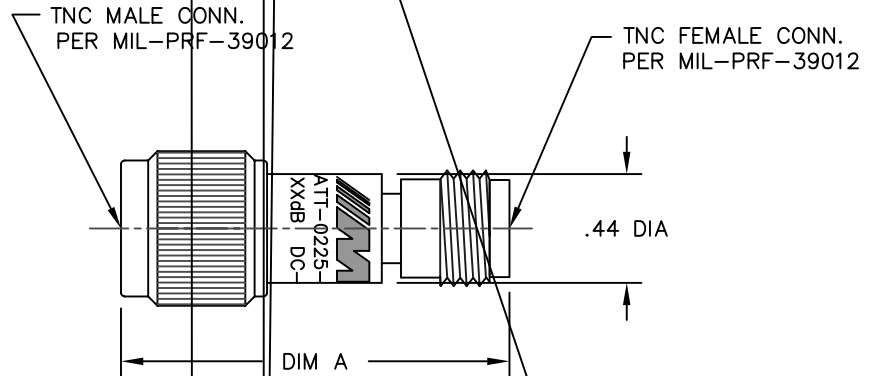


MODEL NUMBER
ATT-0225-XX-TNC-02

- NOTES:
- 1.0 ELECTRICAL SPECIFICATIONS:
 - 1.1 FREQUENCY RANGE: DC to 18.0 GHz
 - 1.2 ATTENUATION ACCURACY:

1 to 6dB	±0.3dB
7 to 20dB	±0.5dB
21 to 40dB	±1.0dB
41 to 60dB	±1.5dB
 - 1.3 IMPEDANCE: 50 OHMS
 - 1.4 MAXIMUM VSWR: 1.07+0.015f(GHz)
 - 1.5 MAXIMUM INPUT POWER: 2 WATTS AVG.
AT +25°C DERATED LINEARLY TO
0.5 WATTS AT +125°C.
 - 1.6 OPERATING TEMP. RANGE:
-54°C to +125°C

2.0 MARKING: (MARK UNIT AS SHOWN)
(REF.: INK-03339-27-XX)



21-60	1.86
1-20	1.57
(dB)	
ATTEN.	DIM A

DWG NO. WAS: 02368-01-00

REV.	DESCRIPTION	DATE
1	RELEASED	2/21/97
A	ECR 1888	12/10/82
B	ECR 6545	6/29/89
C	ECN 10356	4/22/91
D	ECN 11779	4/30/92
D1	ADDED TITLEBLOCK	3/21/05
E	ECN 20401	4/18/05

NOTICE: The information contained in this drawing is proprietary and must not be used without the permission of Emerson Network Power.

UNLESS OTHERWISE NOTED DIMENSIONS ARE IN INCHES AND TOLERANCES ARE:
 3 PLACE DECIMALS ±.005
 2 PLACE DECIMALS ±.02
 FRACTIONS ±1/64
 PARALLELITY: T.I.R.
 FLATNESS: T.I.R.
 CON*

CAGE CODE 34078		MIDWEST MICROWAVE	
 EMERSON Network Power Connectivity Solutions		TITLE ATTENUATOR OUTLINE DRAWING	
		DRAWN/DATE A BEATTY 4/20/92	ENG./DATE G.KOZAK 5/6/92
CHECKED/DATE		APPROVED/DATE	DRAWING NUMBER ATT-0225-XX-TNC-02-01
PERPENDICULARITY: ±1°		SCALE: 5=1	REV. SHEET 1 of 1