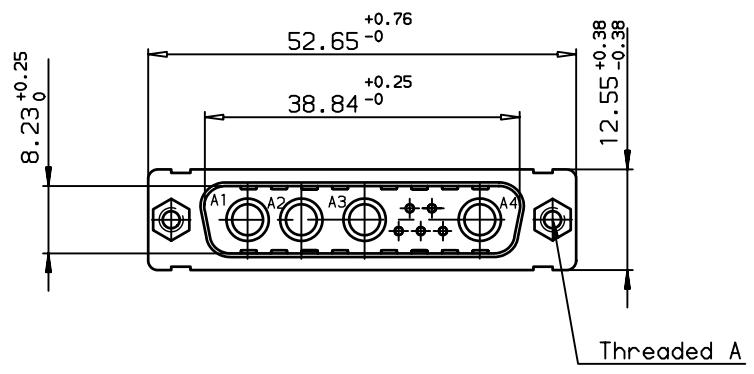
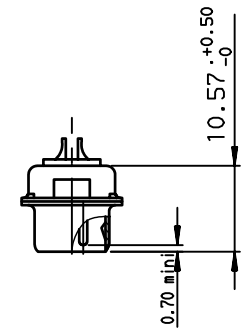
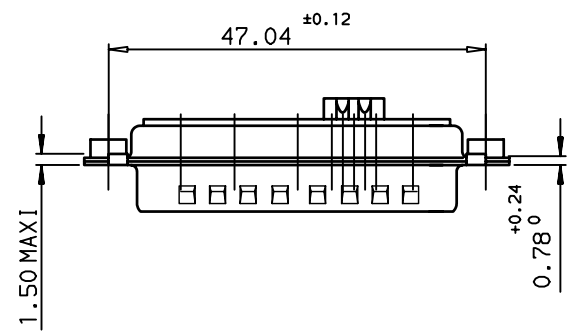


A



B



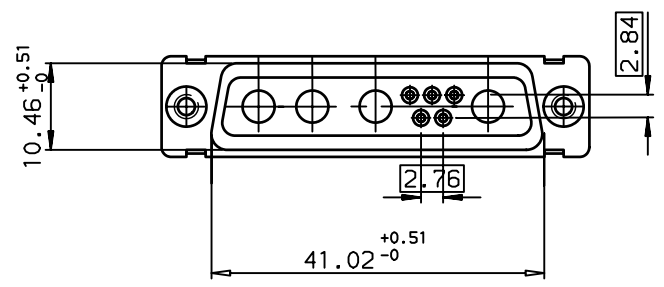
TIN LEAD PART NUMBER

DBL9W4PA00	M3
DB09W4PA00	UNC 4.40
PART NUMBER	Threaded A

LEAD FREE PART NUMBER

DBL9W4PA00LF	M3
DB09W4PA00LF	UNC 4.40
PART NUMBER	Threaded A

C



GENERAL CHARACTERISTICS AND ROHS INFORMATIONS:
SEE DRAWING C01-8639-0003

European Views

www.fciconnect.com		surface ISO 1302 ✓	tolerance std ISO 406 ISO 1101	projection mm
TOLERANCES UNLESS OTHERWISE SPECIFIED				
Dr	JARRY	2001/01/23	0.X ±0.1	size A3
Eng	PESSON	2001/01/23	0.XX ±0.1	Scale 1.5
Chr	LEGARE	2001/01/23	0.XX ±2*	ECN LS06-0095
Appr	LEGARE	2001/01/23	0.XXX ±0.1	Spec ref -
Product family			D-SUB	

rev	ecn no	dr	date
B	-	DEB	2003/10/01
C	LS05-005	MPE	2005/03/14
D	LS06-0095	LGO	2006/06/28
-	-	-	-
-	-	-	-
-	-	-	-

FCI	PIN CONNECTOR FOR POWERS	dwg no C01-8639-1829	Rev. D
	CONTACTS		
catalog no	-	CUSTOMER	sheet 1 of 1



Copyright FCI.

D