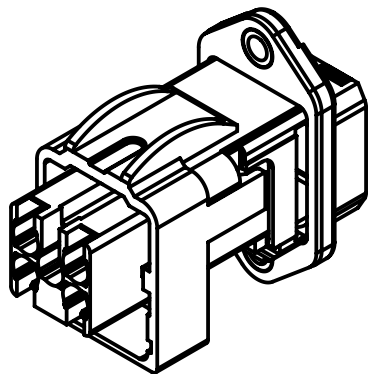


1 related to male insert

2 min. 23 using Han PushPull housings with SW19
min. 27 using Han PushPull housings with SW24



	All Dimensions in mm Original Size DIN A4	Scale 1:1		Free size tol.		Ref.	
						Sub. TB 09 35 231 0333 Mod. 35943 v. 27.11.09	
	All rights reserved Department EC PD - DE	Created by	Inspected by	Standardisation	Date	State	
		STORCK	ELLERMANN	HOFFMANN	2013-08-21	Final Release	
HARTING Electronics GmbH D-32339 Espelkamp		Title Han PP V14 Power PFT plastic male crimp				Doc-Key / ECM-Nr. 100182352/UGD/002/B 500000065340	
		Type TB	Number 09352310333		Rev. B	Page 1/1	