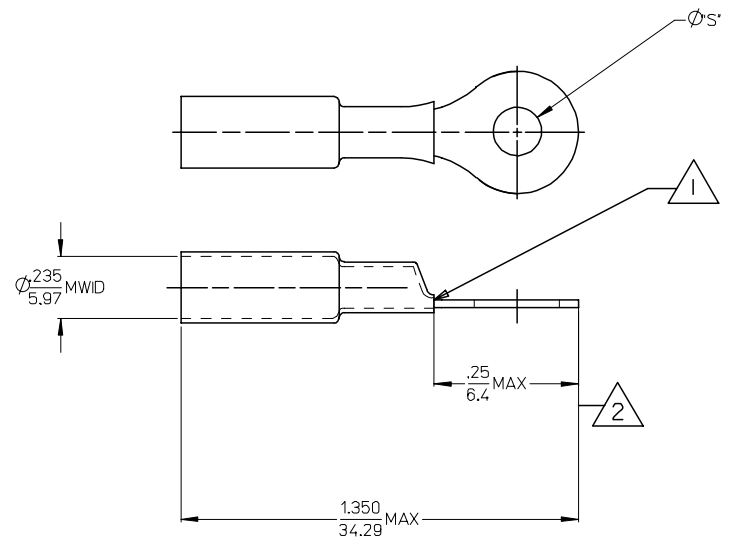


13 12 11 10 9 8 7 6 5 4 3 2 1

MATERIAL NO.	ENGINEERING NO.	STUD SIZE	" S"
190440283	SA-232-04	4	.119/3.02



NOTE:

- 1. TUBING SHALL BE PINCHED CLOSED AS MUCH AS POSSIBLE AS SHOWN.
- 2. NO NIAC TUBING OR ADHESIVE WITHIN DIM. FRONT OR BACK.

RELEASED FCC NO: ETC2006-0154 DRAWN BY: ASAYDEH CHKD: JLOMASTRO APPR: JPAWLICK 2005/12/13 2005/12/13 2005/12/13	QUALITY SYMBOLS ▽=0 ▽=0	GENERAL TOLERANCES (UNLESS SPECIFIED)		DIMENSION STYLE IN/MM	SCALE ---	DESIGN UNITS INCH	THIRD ANGLE PROJECTION
		4 PLACES ± --- ± --- 3 PLACES ± --- ± --- 2 PLACES ± --- ± --- 1 PLACE ± --- ± --- ANGULAR ± --- °	DRAWN BY ASAYDEH	DATE 05/12/13	TITLE PERMA-SEAL RING TONGUE TERMINAL 22-18 AWG		
DRAFT WHERE APPLICABLE MUST REMAIN WITHIN DIMENSIONS		CHECKED BY JLOMASTRO	DATE 05/12/13	APPROVED BY RDEROSS	DATE 05/12/13	MOLEX INCORPORATED	
SEE CHART		MATERIAL NO. SD-19164-050		DOCUMENT NO.		SHEET NO. 1 OF 1	

12 11 10 9 8 7 6 5 4 3 2 1