

NEW

**6mm Square Middle Travel 2 terminals SMD
Light Touch Switches**

Type: **EVPBD**



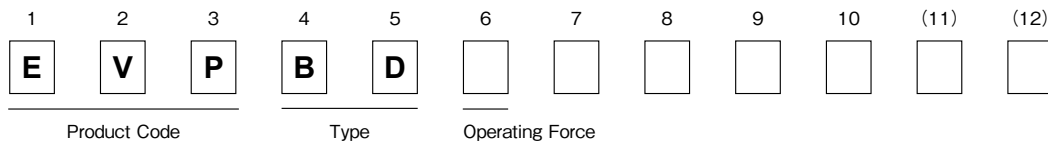
■ **Features**

- External dimensions: 6.0mm×6.0mm, Height 4.0mm
- Sharp feeling and silent by metal dome and rubber dome

■ **Recommended Applications**

- Operating switches for car electronic equipment, car audio systems, etc.
- Steering switches

■ **Explanation of Part Numbers**



■ **Specifications**

Type		Snap action / Push-on type SPST
Electrical	Rating	10μA 2V DC to 50mA 12V DC (Resistive load)
	Contact Resistance	500mΩ max.
	Insulation Resistance	100MΩ min. (at 100V DC)
	Dielectric Withstanding Voltage	250V AC for 1 minute
	Bouncing	10ms max. (ON, OFF)
Mechanical	Operating Force	3.5N
	Travel	0.75mm
Endurance	Operating Life	100,000cycles min.
Operating Temperature		-40°C to +85°C
Storage Temperature		-40°C to +85°C (Bulk) -20°C to +60°C (Taping)
Minimum Quantity/Packing Unit		2,000 pcs. Embossed Taping (Reel Pack)
Quantity/Carton		10,000 pcs.

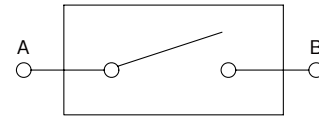
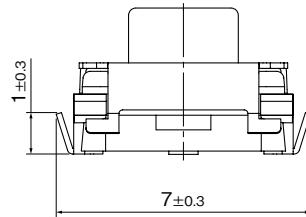
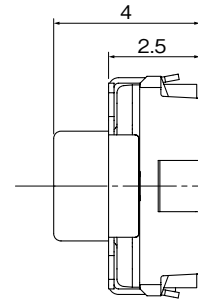
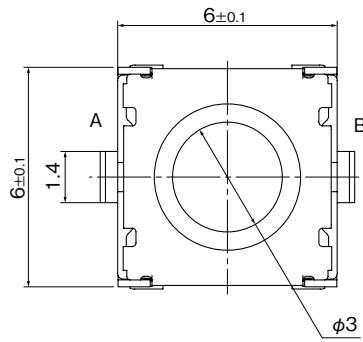
Note: Non washable

■ Dimensions in mm (not to scale)

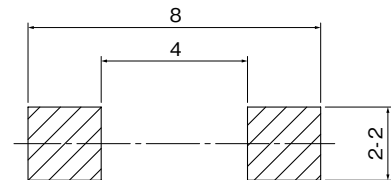
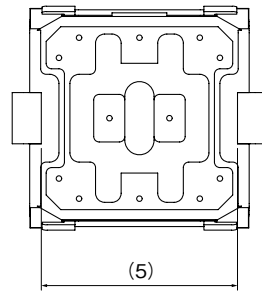
EVPBD

(Embossed Taping)

General dimension tolerance : ± 0.2
 () dimensions are reference dimensions.



Circuit diagram

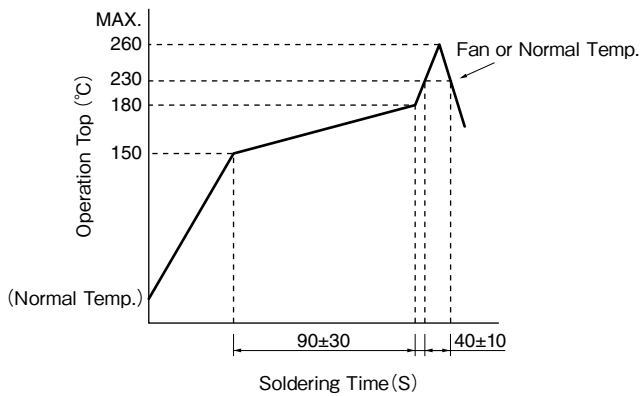


Land pattern plan

Soldering thickness $t=0.15\pm 0.03$

Part Numbers	Operating Force	Height	Operating Life
EVPBD6C1A000	3.5N	4.0mm	100,000cycles

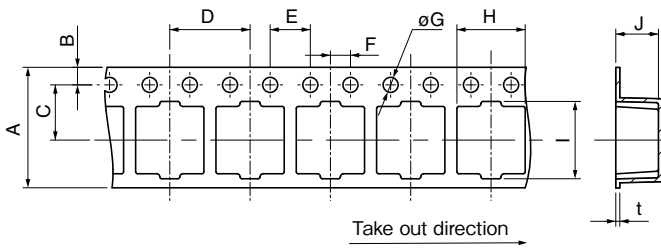
■ Recommended Reflow Soldering Conditions



* Reflow temperature may vary by location even in the same reflow condition. Please check the reflow temperature at terminals and at the top of a switch to make sure the both temperatures are within the specification. If even one of them is out of the specifications, please adjust.

● Embossed Carrier Taping

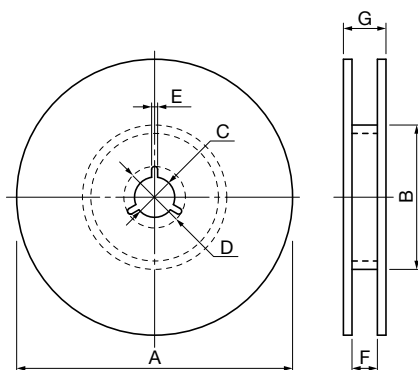
Tape width=12.0 mm



- Taping condition : Lack of products in the middle of taping should be one MAX, but total quantity specified in the specifications should be secured.
- Peeling off strength of top tape : It should be within 0.2N to 1.0N at 165 degree in peeling off angle.
- Joint of carrier tape : One joint per one reel may exist.

												Unit : mm	
Part No.	Height	A	B	C	D	E	F	G	H	I	J	t	
EVPBD	4.0	12.0±0.3	1.75±0.10	5.5±0.1	8.0±0.1	4.0±0.1	2.0±0.1	1.5 ^{+0.1} / ₀	6.3±0.2	7.5±0.2	4.25±0.20	0.4±0.1	

● Standard Reel Dimensions in mm (not to scale)



Item	A	B	C	D	E
Rate (mm)	ø380.0±2.0	ø80.0±1.0	ø13.0±0.5	ø21.0±1.0	2.0±0.5

Item	F	G
Rate (mm)	13.5±1.0	17.5±1.0