

4

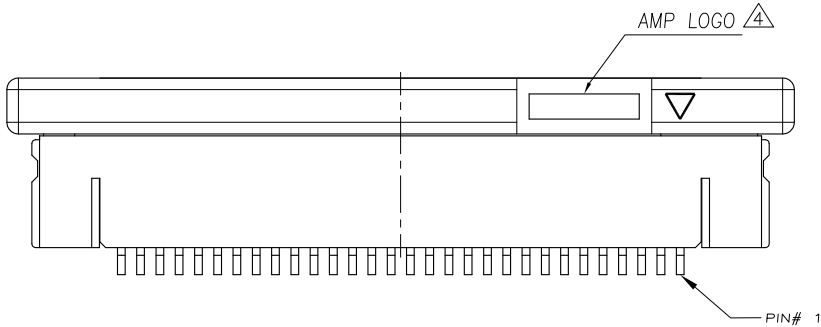
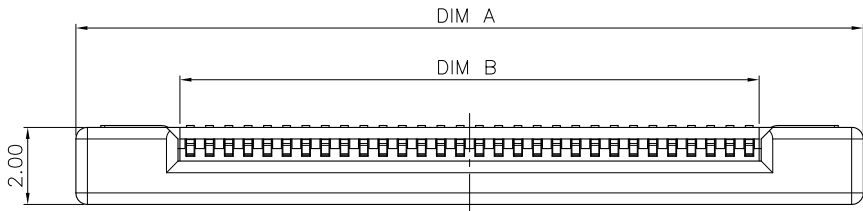
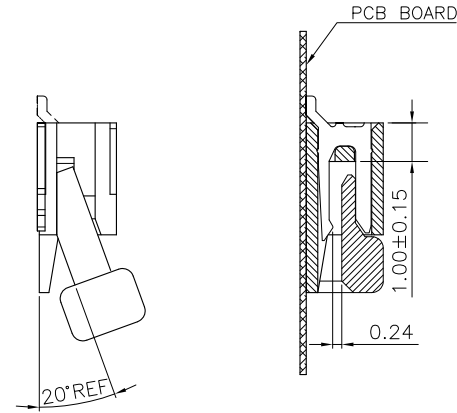
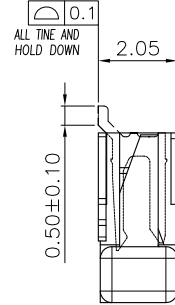
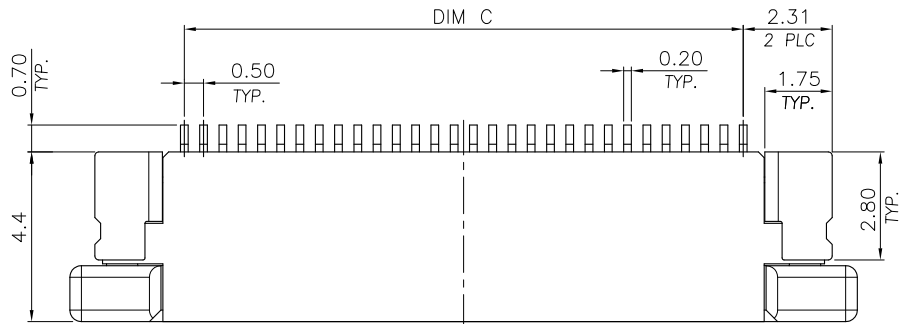
3

2

1

THIS DRAWING IS UNPUBLISHED. RELEASED FOR PUBLICATION
COPYRIGHT BY TYCO ELECTRONICS CORPORATION. ALL RIGHTS RESERVED.

LOC	DIST	REVISIONS			
P	LTR	DESCRIPTION	DATE	DWN	APVD
DW	-	C	REVISED (ECR-13-003844)	04JUN13	JL WK



NOTES:

1. MATERIAL:

- 1.1 HOUSING: THERMOPLASTIC (LCP), UL94V-0; COLOR: BLACK.
- 1.2 ACTUATOR: THERMOPLASTIC (PA 6T), UL94V-0; COLOR: IVORY.
- 1.3 CONTACTS: PHOSPHOR BRONZE.
- 1.4 HOLD DOWN: PHOSPHOR BRONZE.

2. FINISH:

- 2.1 CONTACT: GOLD FLASH PLATING OVER ALL, 1.27um (50u") MIN. NICKEL UNDERPLATING OVERALL,
- 2.2 HOLD DOWN: 2.54um (100u") MIN. BRIGHT TIN PLATING OVER, 1.27um (50u") MIN NICKEL UNDERPLATING OVERALL.

3. REFLOW SOLDER CAPABLE TO 260°C PER TE TEST SPEC. 109-201, CONDITION B.

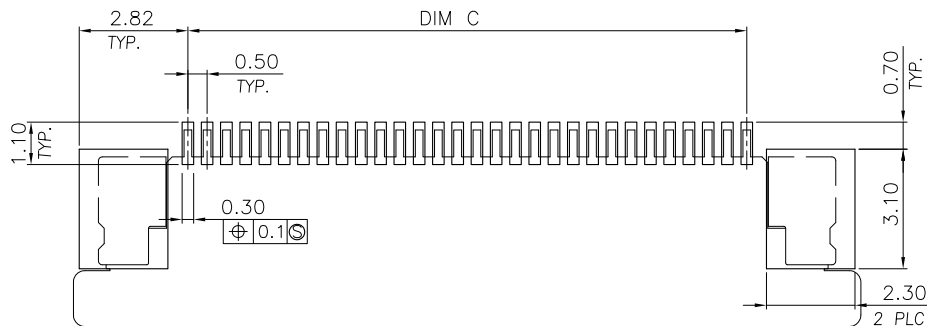
WITHOUT AMP LOGO FOR 12 POSITION UNDER.

24.50	25.60	30.43	50	5-1775628-0
24.00	25.10	29.93	49	4-1775628-9
23.50	24.60	29.43	48	4-1775628-8
23.00	24.10	28.93	47	4-1775628-7
22.50	23.60	28.43	46	4-1775628-6
22.00	23.10	27.63	45	4-1775628-5
21.50	22.60	27.43	44	4-1775628-4
21.00	22.10	26.93	43	4-1775628-3
20.50	21.60	26.43	42	4-1775628-2
20.00	21.10	25.93	41	4-1775628-1
19.50	20.60	25.43	40	4-1775628-0
19.00	20.10	24.93	39	3-1775628-9
18.50	19.60	24.43	38	3-1775628-8
18.00	19.10	23.93	37	3-1775628-7
17.50	18.60	23.43	36	3-1775628-6
17.00	18.10	22.93	35	3-1775628-5
16.50	17.60	22.43	34	3-1775628-4
16.00	17.10	21.93	33	3-1775628-3
15.50	16.60	21.43	32	3-1775628-2
15.00	16.10	20.93	31	3-1775628-1
14.50	15.60	20.43	30	3-1775628-0
14.00	15.10	19.93	29	2-1775628-9
13.50	14.60	19.43	28	2-1775628-8
13.00	14.10	18.93	27	2-1775628-7
12.50	13.60	18.43	26	2-1775628-6
12.00	13.10	17.93	25	2-1775628-5
11.50	12.60	17.43	24	2-1775628-4
11.00	12.10	16.93	23	2-1775628-3
10.50	11.60	16.43	22	2-1775628-2
10.00	11.10	15.93	21	2-1775628-1
9.50	10.60	15.43	20	2-1775628-0
9.00	10.10	14.93	19	1-1775628-9
8.50	9.60	14.43	18	1-1775628-8
8.00	9.10	13.93	17	1-1775628-7
7.50	8.60	13.43	16	1-1775628-6
7.00	8.10	12.93	15	1-1775628-5
6.50	7.60	12.43	14	1-1775628-4
6.00	7.10	11.93	13	1-1775628-3
5.50	6.60	11.43	12	1-1775628-2
5.00	6.10	10.93	11	1-1775628-1
4.50	5.60	10.43	10	1-1775628-0
4.00	5.10	9.93	09	0-1775628-9
3.50	4.60	9.43	08	0-1775628-8
3.00	4.10	8.93	07	0-1775628-7
2.50	3.60	8.43	06	0-1775628-6
2.00	3.10	7.93	05	0-1775628-5
C	B	A	POS.	PART NUMBER
DIMENSIONS				

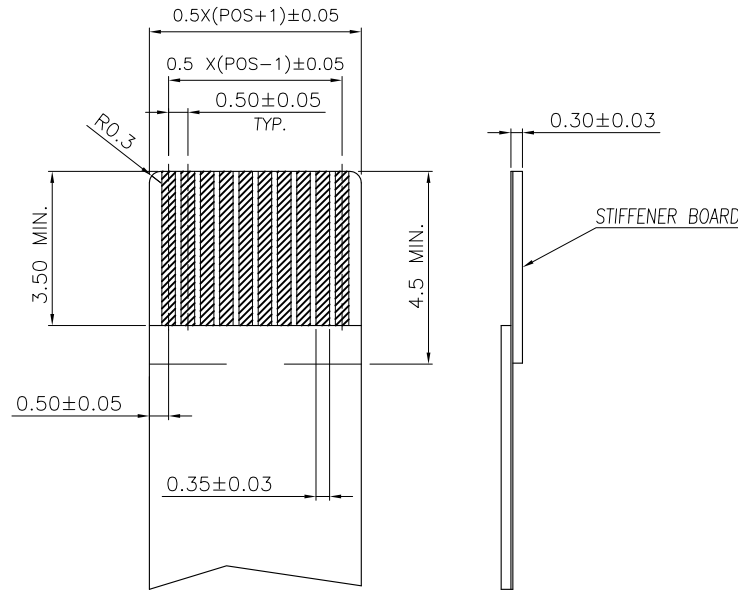
THIS DRAWING IS A CONTROLLED DOCUMENT.		DWN J. LAI 15APR2009	TE Connectivity													
DIMENSIONS: MM		CHK S. CHIEN 15APR2009														
TOLERANCES UNLESS OTHERWISE SPECIFIED:		APVD W. KODAMA 15APR2009	NAME													
<table border="0"> <tr><td>0 PLC</td><td>± -</td></tr> <tr><td>1 PLC</td><td>± 0.35</td></tr> <tr><td>2 PLC</td><td>± 0.25</td></tr> <tr><td>3 PLC</td><td>± -</td></tr> <tr><td>4 PLC</td><td>± -</td></tr> <tr><td>ANGLES</td><td>± -</td></tr> </table>		0 PLC	± -	1 PLC	± 0.35	2 PLC	± 0.25	3 PLC	± -	4 PLC	± -	ANGLES	± -	PRODUCT SPEC 108-57523	FPC CONNECTOR, 0.5mm PITCH BOTTOM CONTACT, SMT TYPE	
0 PLC	± -															
1 PLC	± 0.35															
2 PLC	± 0.25															
3 PLC	± -															
4 PLC	± -															
ANGLES	± -															
MATERIAL SEE NOTE		QUALIFICATION TEST REPORT 501-57598	WEIGHT -	RESTRICTED TO -												
FINISH SEE NOTE		SIZE A3	CAGE CODE 00779	DRAWING NO C=1775628												
CUSTOMER DRAWING			SCALE -	SHEET 1 OF 3												
			REV C													

THIS DRAWING IS UNPUBLISHED. RELEASED FOR PUBLICATION
 © COPYRIGHT BY TYCO ELECTRONICS CORPORATION. ALL RIGHTS RESERVED.

LOC	DIST	REVISIONS			
P	LTR	DESCRIPTION	DATE	DWN	APVD
DW	—	SEE SHEET 1			



RECOMMENDED PCB DIMENSIONS DIAGRAM
 (TOLERANCE: ± 0.05)

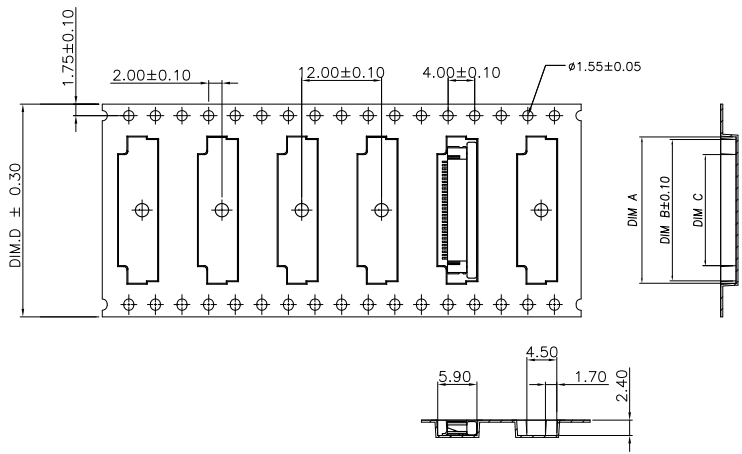
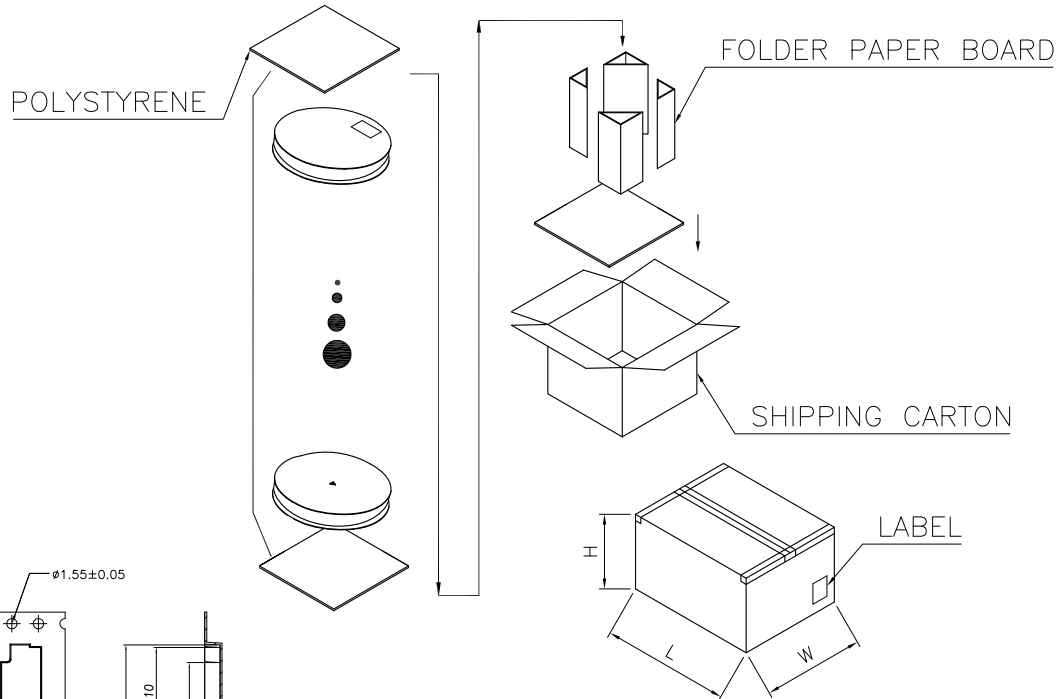
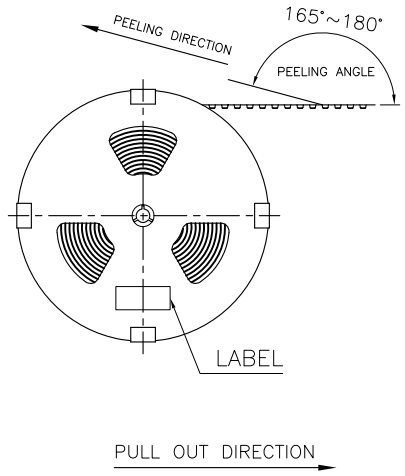
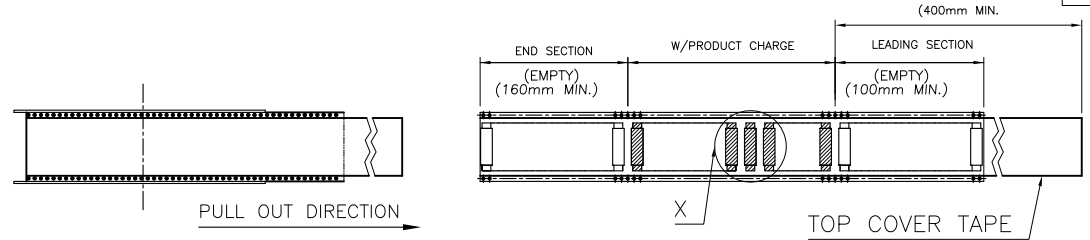


RECOMMENDED FPC DIMENSIONS DIAGRAM

THIS DRAWING IS A CONTROLLED DOCUMENT.		DWN		TE Connectivity	
DIMENSIONS: MM		CHK			
TOLERANCES UNLESS OTHERWISE SPECIFIED:		APVD		NAME	
0 PLC ± -		PRODUCT SPEC		FPC CONNECTOR, 0.5mm PITCH	
1 PLC ± -		QUALIFICATION TEST REPORT		BOTTOM CONTACT, SMT TYPE	
2 PLC ± -		WEIGHT		SIZE CAGE CODE DRAWING NO	
3 PLC ± -		CUSTOMER DRAWING		A3 00779 C=1775628	
4 PLC ± -		SCALE		RESTRICTED TO	
ANGLES ± -		SHEET		—	
MATERIAL SEE NOTE		FINISH SEE NOTE		2 OF 3	
		REV		C	

THIS DRAWING IS UNPUBLISHED. RELEASED FOR PUBLICATION
 © COPYRIGHT BY TYCO ELECTRONICS CORPORATION. ALL RIGHTS RESERVED.

LOC	DIST	REVISIONS		
DW	—	P	LTR	DATE
		DESCRIPTION		DWN
		SEE SHEET 1.		APVD



PPQ (PCS/REEL)	APQ (PCS/CARTON)	D	C	B	A	POS.	
		DIMENSIONS					
12000	2000	16000	44.00	26.70	30.55	31.50	50
			44.00	26.20	30.05	31.00	49
			44.00	25.70	29.55	30.50	48
			44.00	25.20	29.05	30.00	47
			44.00	24.70	28.55	29.50	46
			44.00	24.20	28.05	29.00	45
			44.00	23.70	27.55	28.50	44
			44.00	23.20	27.05	28.00	43
			44.00	22.70	26.55	27.50	42
			44.00	22.20	26.05	27.00	41
			44.00	21.70	25.55	26.50	40
			44.00	21.20	25.05	26.00	39
44.00	20.70	24.55	25.50	38			
44.00	20.20	24.05	25.00	37			
44.00	19.70	23.55	24.50	36			
44.00	19.20	23.05	24.00	35			
44.00	18.70	22.55	23.50	34			
44.00	18.20	22.05	23.00	33			
44.00	17.70	21.55	22.50	32			
44.00	17.20	21.05	22.00	31			
32.00	16.70	20.55	21.50	30			
32.00	16.20	20.05	21.00	29			
32.00	15.70	19.55	20.50	28			
32.00	15.20	19.05	20.00	27			
32.00	14.70	18.55	19.50	26			
32.00	14.20	18.05	19.00	25			
32.00	13.70	17.55	18.50	24			
32.00	13.20	17.05	18.00	23			
32.00	12.70	16.55	17.50	22			
32.00	12.20	16.05	17.00	21			
24.00	11.70	15.55	16.50	20			
24.00	11.20	15.05	16.00	19			
24.00	10.70	14.55	15.50	18			
24.00	10.20	14.05	15.00	17			
24.00	9.70	13.55	14.50	16			
24.00	9.20	13.05	14.00	15			
24.00	8.70	12.55	13.50	14			
24.00	8.20	12.05	13.00	13			
24.00	7.70	11.55	12.50	12			
24.00	7.20	11.05	12.00	11			
24.00	6.70	10.55	11.50	10			
24.00	6.20	10.05	11.00	09			
24.00	5.70	9.55	10.50	08			
24.00	5.20	9.05	10.00	07			
24.00	4.70	8.55	9.50	06			
24.00	4.20	8.05	9.00	05			

THIS DRAWING IS A CONTROLLED DOCUMENT.

DIMENSIONS: MM	TOLERANCES UNLESS OTHERWISE SPECIFIED:	DWN	—
0 PLC	± —	CHK	—
1 PLC	± —	APVD	—
2 PLC	± —	PRODUCT SPEC	—
3 PLC	± —	APPLICATION SPEC	—
4 PLC	± —	WEIGHT	—
ANGLES	± —	CUSTOMER DRAWING	—
MATERIAL	FINISH	SCALE	—

STE TE Connectivity

FPC CONNECTOR, 0.5mm PITCH
BOTTOM CONTACT, SMT TYPE

SIZE: A3 CAGE CODE: 00779 DRAWING NO: C=1775628 RESTRICTED TO: —

SHEET 3 OF 3 REV C