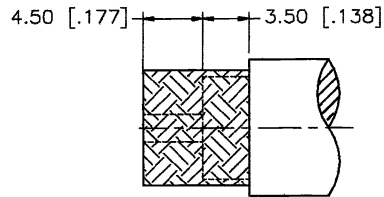
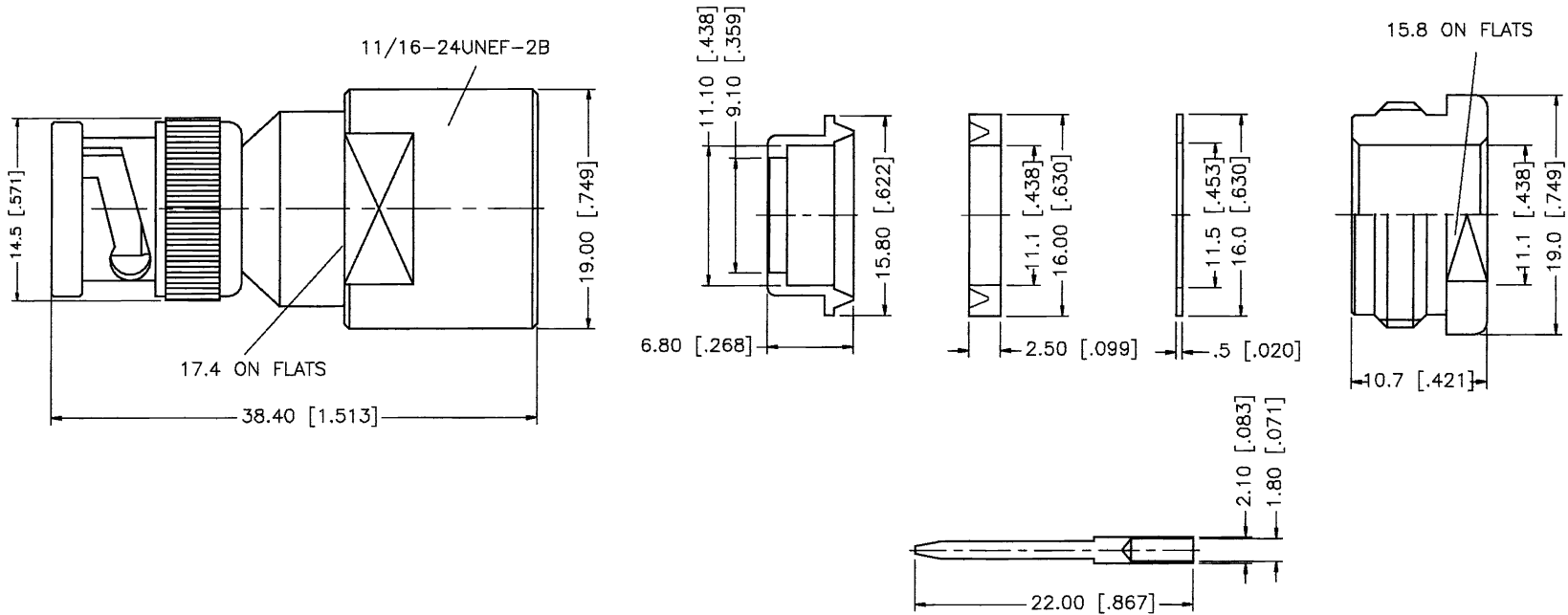



REV.	DATE	DESCRIPTION
NC	07/30/00	INITIAL RELEASE



RECOMMENDED  
CABLE STRIPPING DIM'S



DESCRIPTION	MATERIAL	FINISH	UNLESS OTHERWISE SPECIFIED DIMENSIONS ARE IN MILLIMETERS	APPROVALS	DATE							
1	BODY	BRASS	NICKEL	DRAWN	G.R.S.					07/30/00	TITLE BNC CLAMP JACK (FOR RG11/U, 14 AWG B 8213, B929L CABLE)	
2	INSULATOR	TEFLON	NATURAL	CHECKED			SIZE A					
3	BRAID CLAMP	BRASS	NICKEL	ISSUED							FSCM NO. 99001	
4	GASKET	SILICONE	RED	UNLESS OTHERWISE SPECIFIED TOLERANCES FOR MILLIMETERS ARE: 0.5-6 = ± 0.2 6-30 = ± 0.4 30-120 = ± 0.6 120-315 = ± 1 315-1000 = ± 1.6 1000-2000 = ± 2.4			SCALE NA		PART NO. 112657		SHEET 1 OF 1	
5	WASHER	BRASS	NICKEL				DIMENSIONS IN [ ] ARE IN INCHES FOR CUSTOMER REFERENCE ONLY					
6	NUT	BRASS	NICKEL									
7												
8			DO NOT SCALE DRAWING									