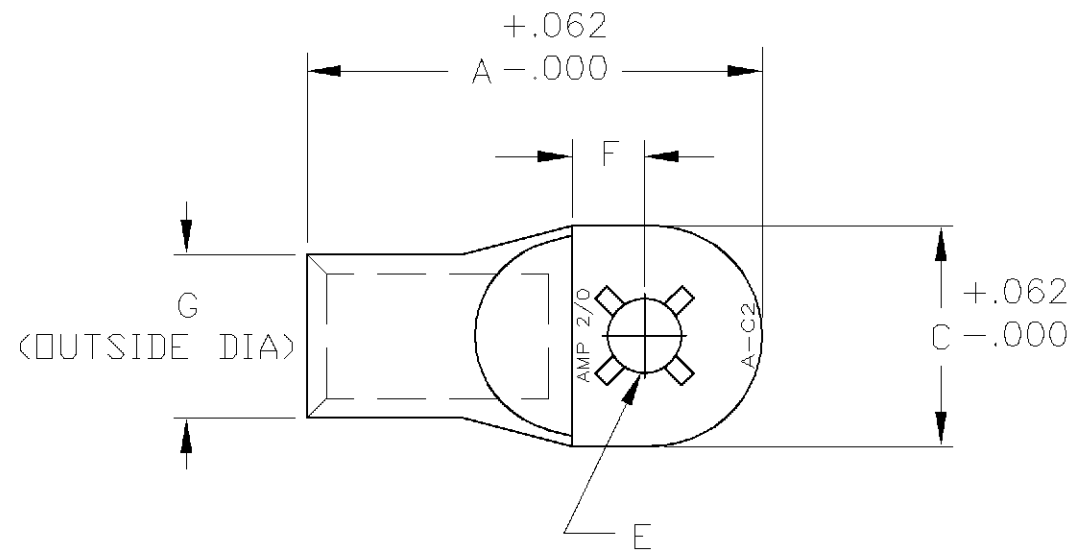
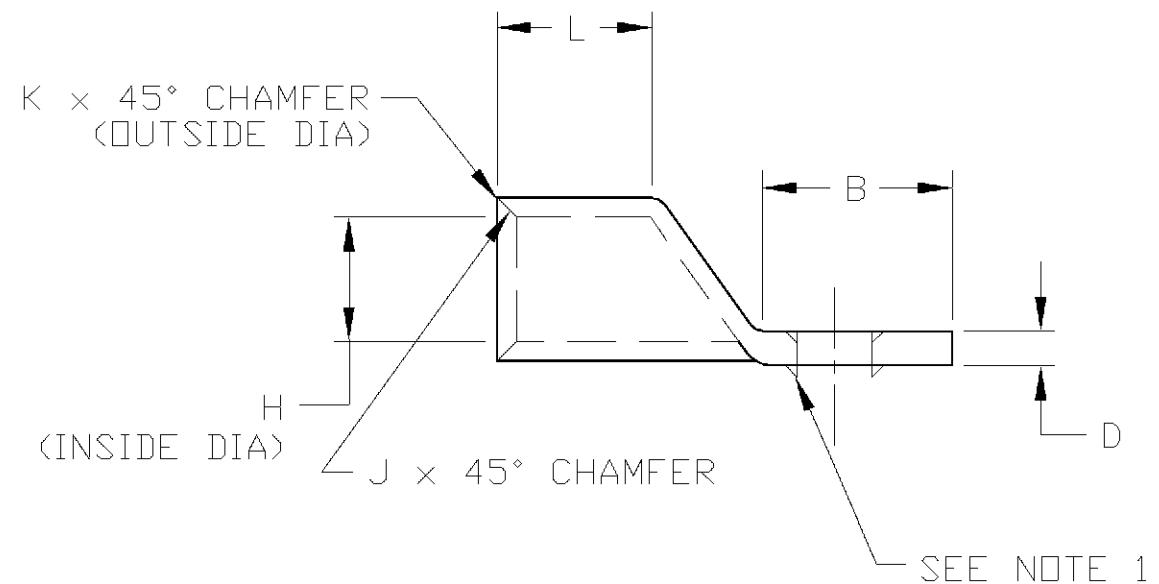


THIS DRAWING IS UNPUBLISHED. RELEASED FOR PUBLICATION .19
 © COPYRIGHT 19 BY AMP INCORPORATED. ALL RIGHTS RESERVED.

LOC	DIST	REVISIONS				
P	LTR	DESCRIPTION	DATE	DWN	APVD	
AA	27	F	REDWN & REV; OG1Z-0010-99	12MAY00	LMH/LHS	



1. LOCKING LANCE FOR P/N -1 ONLY



BOLT HOLE SIZE	L	K	J	H	G	F	E	D	C	B	A	PART NUMBER
.375	.850	.016	.031	.490	.650	.565	∅.39	.170	.925	1.080	2.25	606296-3
.500	.850	.016	.031	.490	.650	.565	∅.515	.170	.925	1.080	2.25	606296-2
.375	.850	.016	.031	.490	.650	.565	∅.39	.170	.925	1.080	2.25	606296-1

DIMENSIONS, INCHES

THIS DRAWING IS A CONTROLLED DOCUMENT.		DWN	L. HALL	18APR00	AMP Incorporated Harrisburg, PA 17105-3608 OBSELETE NOT the LATEST REVISION											
DIMENSIONS: INCHES		CHK	L.H. SMITH	12MAY00												
TOLERANCES UNLESS OTHERWISE SPECIFIED:		APVD	B. ANTHONY	12MAY00												
<table border="0"> <tr><td>0 PLC</td><td>±</td></tr> <tr><td>1 PLC</td><td>±</td></tr> <tr><td>2 PLC</td><td>± .02</td></tr> <tr><td>3 PLC</td><td>± .005</td></tr> <tr><td>4 PLC</td><td>± .0005</td></tr> <tr><td>ANGLES</td><td>± 3'</td></tr> </table>		0 PLC	±	1 PLC		±	2 PLC	± .02	3 PLC	± .005	4 PLC	± .0005	ANGLES	± 3'	PRODUCT SPEC	
0 PLC	±															
1 PLC	±															
2 PLC	± .02															
3 PLC	± .005															
4 PLC	± .0005															
ANGLES	± 3'															
MATERIAL: HIGH CONDUCTIVITY WROUGHT COPPER		FINISH: ELECTRO TIN PLATE		APPLICATION SPEC	AMP TUBULAR TERMINAL 2/0 (ROUND TONGUE)											
CUSTOMER DRAWING		WEIGHT	-		RESTRICTED TO											
SCALE		NTS		SHEET	1 OF 1											
REV		F		DRAWING NO	C-606296											
SIZE		A3		CAGE CODE	00779											