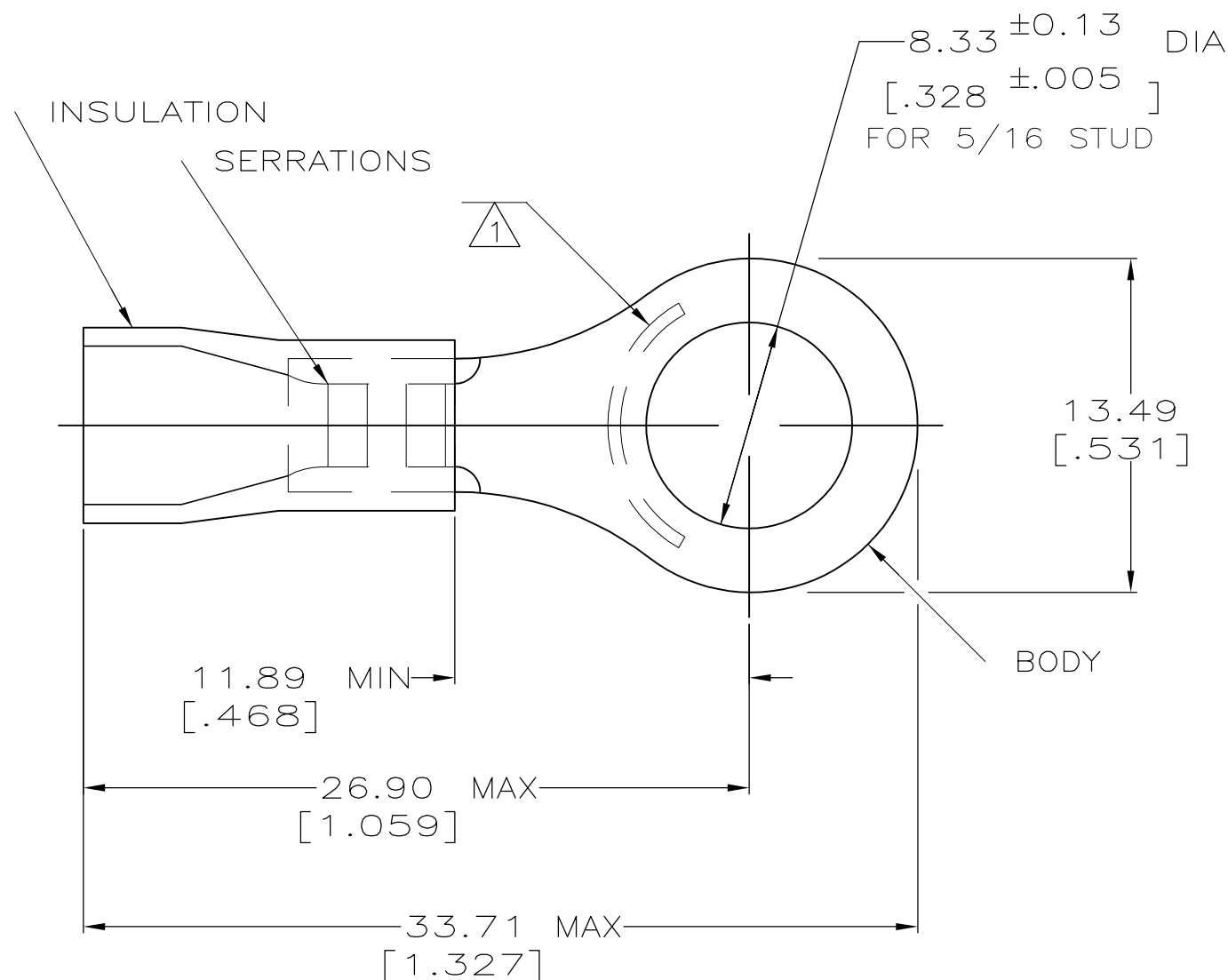


THIS DRAWING IS UNPUBLISHED. RELEASED FOR PUBLICATION
 © COPYRIGHT - By - ALL RIGHTS RESERVED.

LOC	DIST	REVISIONS			
P	LTR	DESCRIPTION	DATE	DWN	APVD
G	14	R2	REVISED PER ECO-11-005027	11MAR11	RK HMR

AMP WIRE RANGE	Listed	LR7189 Certified
12-10 AWG SOLID OR STRANDED	12-10 AWG SOLID OR STRANDED	12-10 AWG SOLID OR STRANDED



- 1 STAMP AMP 12-10*, APPROX AS SHOWN
- 2 WIRE INSULATION DIA: .150-.250
- 3 TONGUE MATERIAL THK IS 1.02±0.05 [.040±.002]
- 4 MATERIAL: BODY; COPPER PER ASTM B152
INSULATION; PVC
COLOR; YELLOW
- 5 MATERIAL: BODY; COPPER PER ASTM B152
INSULATION; PVC
COLOR; RED
- 6 MATERIAL: BODY; COPPER PER ASTM B152
INSULATION; PVC
COLOR; BLACK
- 7 FINISH: BODY; TIN PL. PER ASTM B545
- 8 FINISH: BODY; GOLD FLASH PER ASTM B-488
OVER NICKEL PLATE QQ-N-290

QTY	PACKAGE TYPE	PART NO
50	LOOSE PIECE, BOX	8-34856-2
2500	ON TAPE, REEL	2-34856-5
2500	ON TAPE, REEL	2-34856-1
2500	ON TAPE, REEL	34856-4
2500	ON TAPE, REEL	34856-2
500	LOOSE PIECE	34856-0

AMP INCORPORATED CUSTOMER SERVICE SYSTEMS	
FOR ADDITIONAL PRODUCT INFORMATION OR COPIES OF DRAWINGS AND TECHNICAL DOCUMENTS	PRODUCT INFORMATION CENTER 1-800-522-6752
FOR APPLICATION TOOLING INFORMATION	TOOLING ASSISTANCE CENTER 1-800-722-1111
FOR ORDER ENTRY	1-800-526-5142

MAX RECOMMENDED OPERATING TEMPERATURE: 105°C [221°F]
VOLTAGE RATING: N/A
CIRCULAR MIL AREA: 2.62-6.64mm² [5180-13100] SOLID OR STRANDED

THIS DRAWING IS A CONTROLLED DOCUMENT.	
DIMENSIONS: mm[INCHES]	TOLERANCES UNLESS OTHERWISE SPECIFIED:
	0 PLC ± - 1 PLC ± - 2 PLC ± 0.20[.008] 3 PLC ± - 4 PLC ± - ANGLES ± -
MATERIAL SEE TABLE	FINISH SEE TABLE

DWN DK SCHRUM 08/06/92
CHK RE HERSEY 11/10/92
APVD M ELLIS 11/10/92
PRODUCT SPEC 108-1034
APPLICATION SPEC NOT AVAILABLE
WEIGHT -

TE Connectivity			
NAME TERMINAL, RING TONGUE, PLASTI-GRIP			
SIZE A3	CAGE CODE 00779	DRAWING NO C-34856	RESTRICTED TO -
CUSTOMER DRAWING		SCALE 4:1	SHEET 1 of 1
		REV R2	