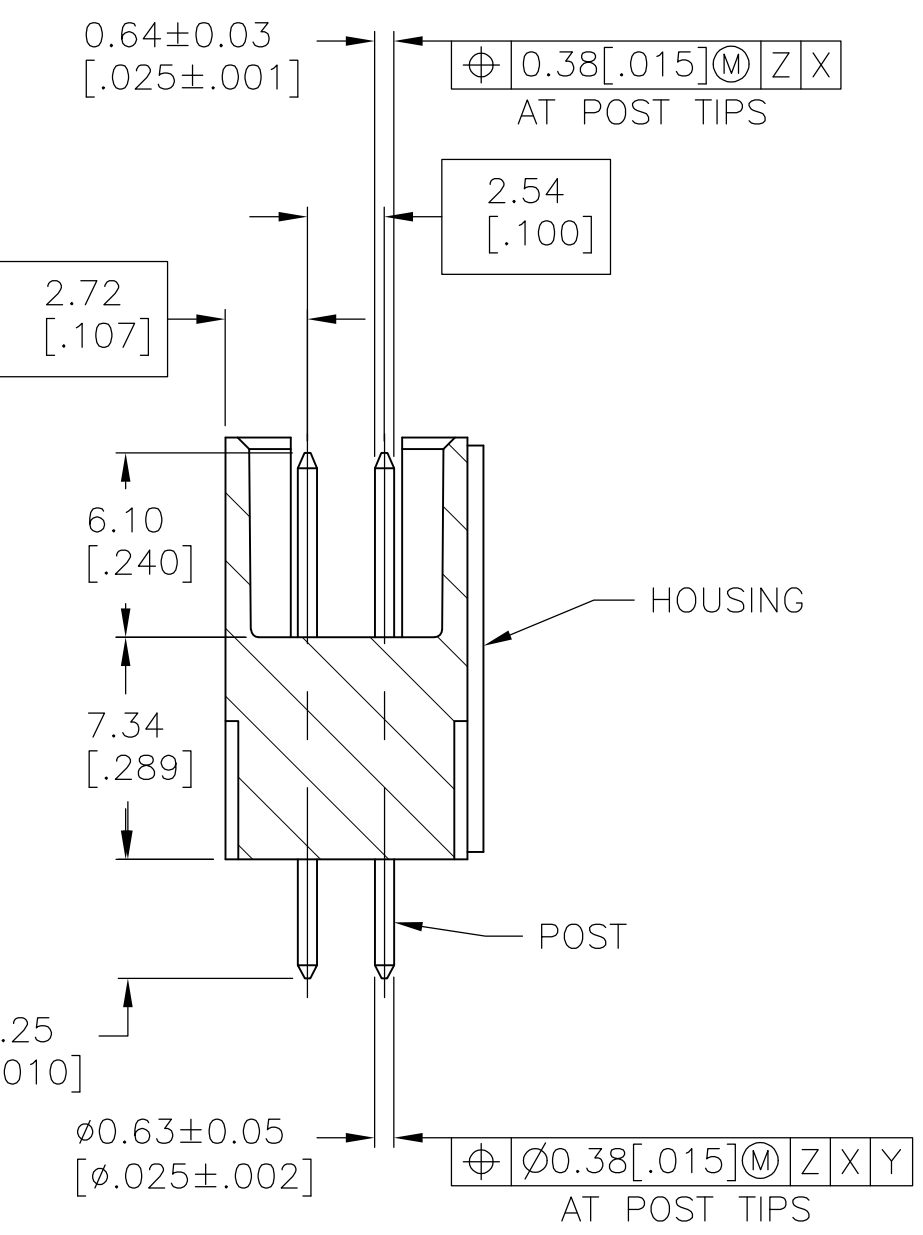
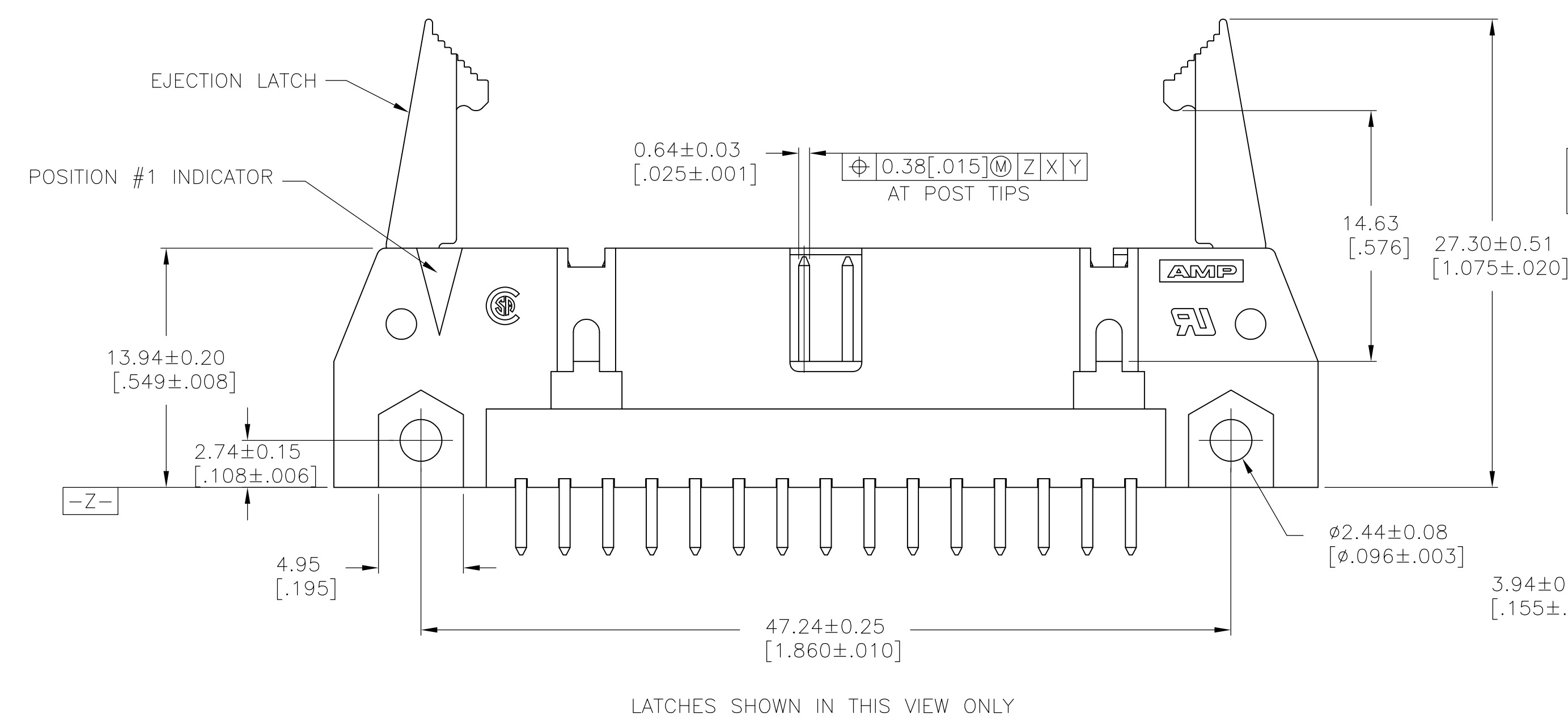
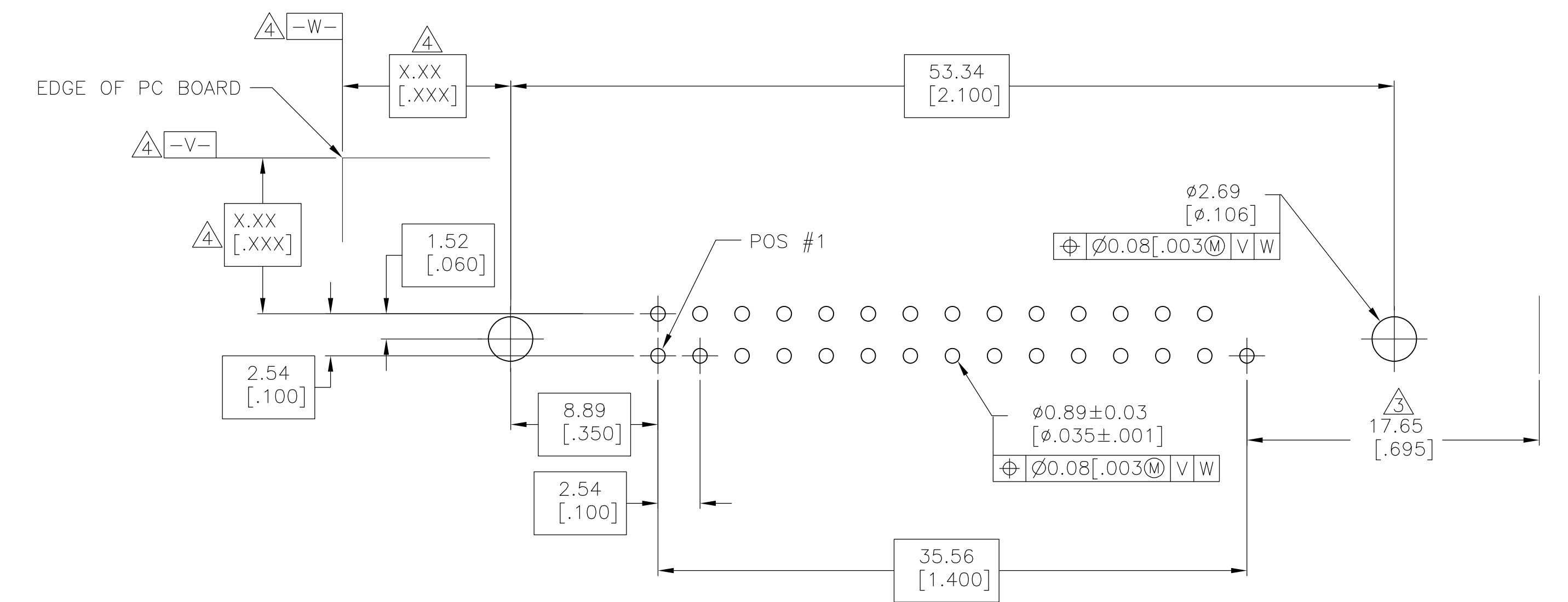
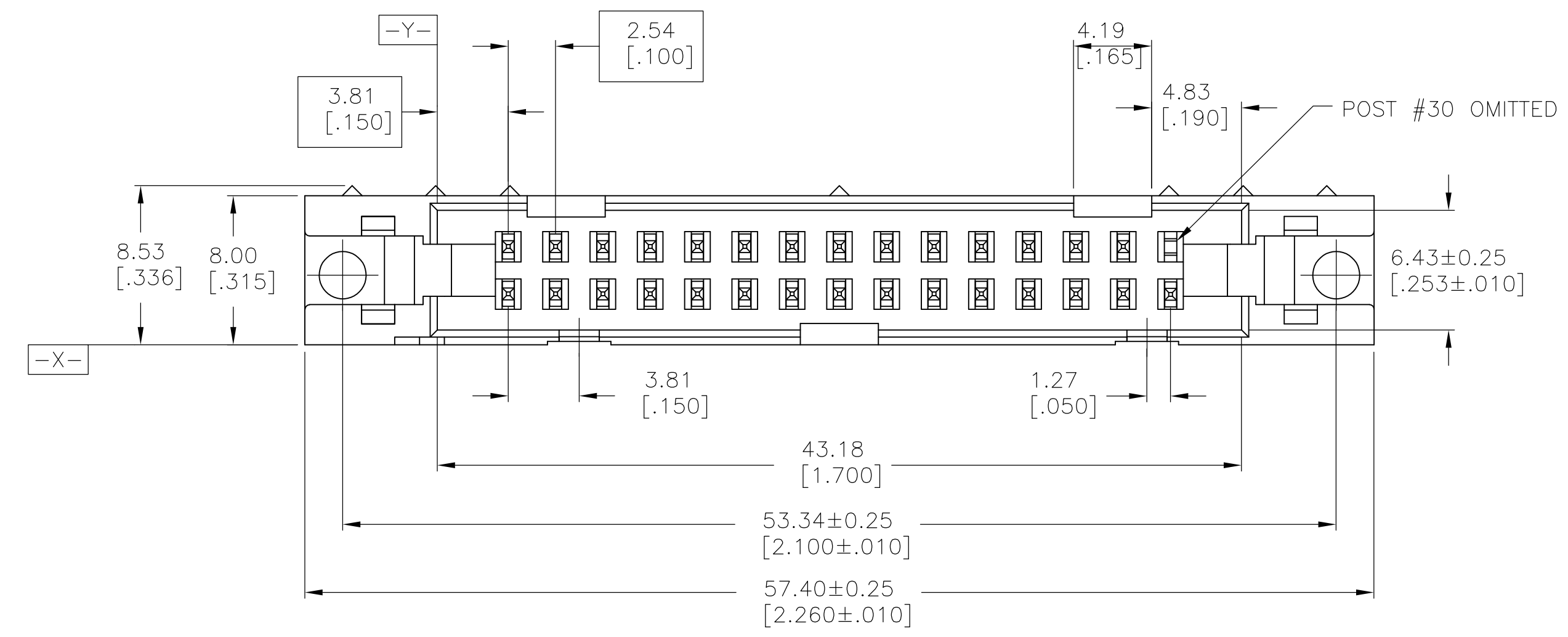
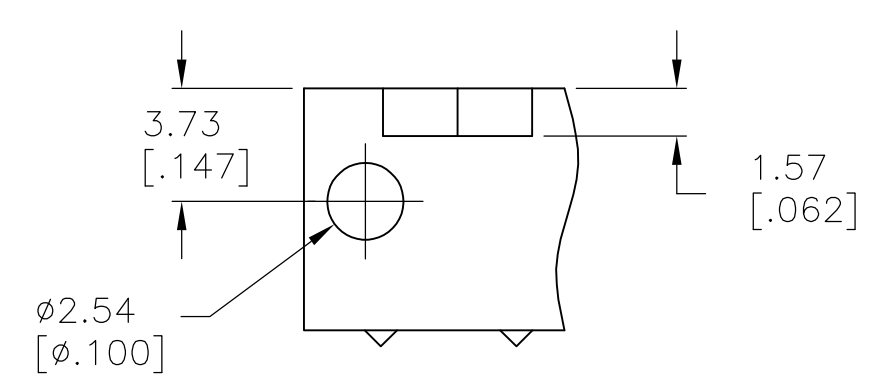


LOC		DIST		REVISIONS			
F	LTR	DESCRIPTION	DATE	DMN	APVD		
B		REVISED PER ECO-10-021203	23NOV10	HMR	SB		



- 1 HOUSING AND LATCHES: GLASS FILLED NYLON OR POLYESTER, UL94V-0 RATED, COLOR BLACK. POSTS: PHOSPHOR BRONZE.
- 2 POSTS: GOLD FLASH OVER PALLADIUM-NICKEL PLATE 0.38 $\mu$ m[.000015] MIN TOTAL ON THE MATING SURFACES, 2.54 $\mu$ m[.000100] MIN TIN PLATE ON THE SOLDER-TAILS, 1.27 $\mu$ m[.000050] MIN NICKEL UNDERPLATE ON THE ENTIRE POST.  
-OR-  
0.38 $\mu$ m[.000015] MIN GOLD PLATE ON THE MATING SURFACES, 2.54 $\mu$ m[.000100] MIN TIN PLATE ON THE SOLDER-TAILS, 1.27 $\mu$ m[.000050] MIN NICKEL UNDERPLATE ON THE ENTIRE POST.
- 3 DISTANCE REQUIRED BY LATCHES IN THE OPEN POSITION, BOTH ENDS.
- 4 DATUMS AND BASIC DIMENSIONS TO BE ESTABLISHED BY CUSTOMER.



30	6658750-1
NO OF POS	PART NUMBER

**COPYRIGHT 2005  
 TYCO ELECTRONICS CORP  
 ALL RIGHTS RESERVED**

THIS DRAWING IS A CONTROLLED DOCUMENT.		DIN A FERNANDEZ-DOCKS 01-12-05	Tyco Electronics Corporation Harrisburg, PA 17105-3608
DIMENSIONS: mm [INCHES]		CHK S BOLASH 01-12-05	
TOLERANCES UNLESS OTHERWISE SPECIFIED:		APVD M WALMSLEY 01-12-05	NAME HEADER ASSEMBLY, VERTICAL, SELECTIVELY LOADED, UNIVERSAL, AMP-LATCH
0 PLC ± -		PRODUCT SPEC 108-40018	
1 PLC ± -		APPLICATION SPEC	SIZE CAGE CODE DRAWING NO RESTRICTED TO
2 PLC ± -		WEIGHT	A1 00779 C=6658750
3 PLC ± 0.13(.005)		CUSTOMER DRAWING	SCALE 4:1 SHEET 1 OF 1 REV B
4 PLC ± -			
ANGLES ± -			