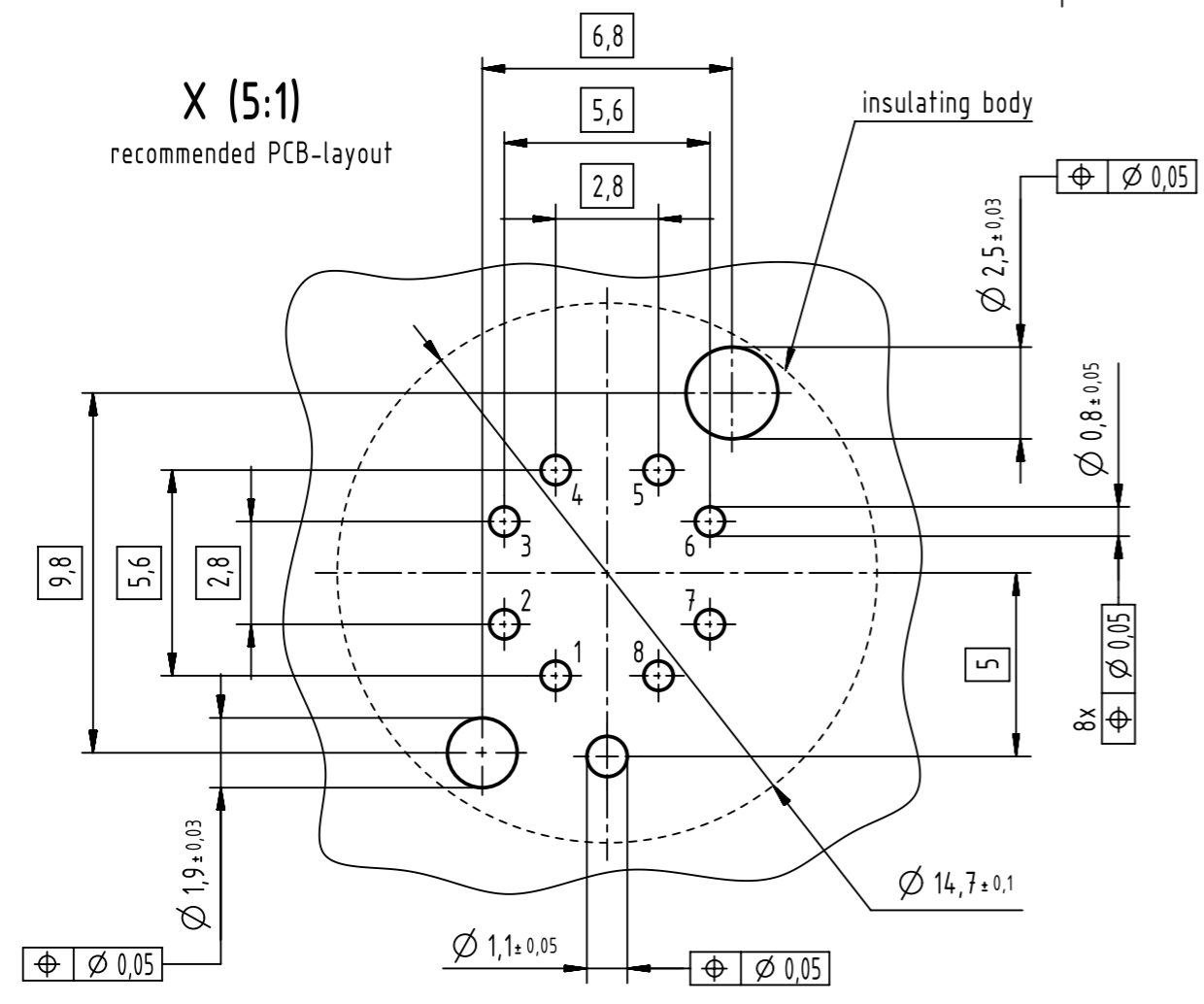
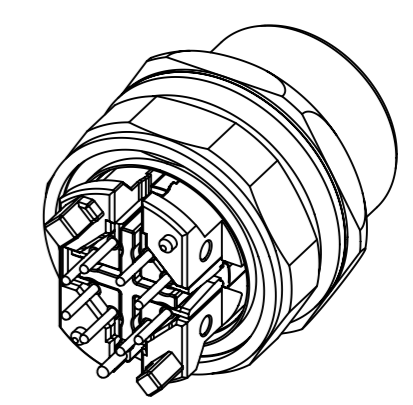


X (5:1)
recommended PCB-layout



- 500 mating cycles acc. to DIN IEC 60512-5
- design for reflow soldering

pin assignment		
pin	Signal	pair
1	TD1+	2
2	RD1-	2
3	TD2+	3
4	RD2-	3
5	TD4+	4
6	RD4-	4
7	RD3-	1
8	TD3+	1



	All rights reserved Department EC PD - DE	All Dimensions in mm Original Size DIN A3	Scale 2:1	Free size tol.	Ref. Sub.
		Created by BUSSMANN	Inspected by GENAU	Standardisation HOFFMANN	Date 2013-07-12
HARTING Electronics GmbH D-32339 Espelkamp		Title har-speed M12 PCB Cat6A receptacle straight front			Doc-Key / ECM-Nr. 100230885/UGD/002/B 50000064.016
		Type TB	Number 21033812802		Rev. B Page 1/1