

SPECIFICATION FOR APPROVAL



TO: _____

| | | | | | |
|------------|------------|------|--|-----------------------|----------|
| PART NO. | | REV. | | DELTA SAMPLE ISSUE NO | |
| PART NAME | EMI FILTER | | | DELTA MODEL | 15GENG3E |
| ORDER P/N. | 15GENG3E | | | SAMPLE ISSUE DATE | |

1. ELECTRICAL CHARACTERISTICS:

1-1. VOLTAGE RATING 115/250VAC

1-2. CURRENT RATING

- A. AT 115VAC 15 A RMS Max.
- B. AT 250VAC 10 A RMS Max.

1-3. OPERATING FREQUENCY..... 50/60 Hz

1-4. LEAKAGE CURRENT: EACH LINE TO GROUND

- A. @115VAC 60Hz 0.20 mA Max.
- B. @250VAC 50Hz 0.40 mA Max.

1-5. HIPOT RATING (FOR ONE MINUTE)

- A. LINE TO GROUND 2250VDC
- B. LINE TO LINE 1450VDC

1-6. TEMPERATURE RANGE: -25 TO +100 DEGREE C

1-7. MINIMUM INSERTION LOSS IN dB: (AT 50 OHM SYSTEM)

| | | | | | | | | | |
|--------------|-----|-----|-----|-----|-----|-----|-----|----|----|
| FREQ. MHz | .01 | .05 | .10 | .15 | .50 | 1.0 | 5.0 | 10 | 30 |
| COM. MODE dB | / | / | / | 4 | 10 | 13 | 28 | 35 | 40 |
| DIF. MODE dB | / | / | / | 4 | 10 | 15 | 25 | 30 | 40 |

1-8. SAFETY



| | | | | |
|-----------|------------|-------------|------|--|
| REPORT BY | CHECKED BY | APPROVED BY | | |
| | | | | |
| | | | REV. | |

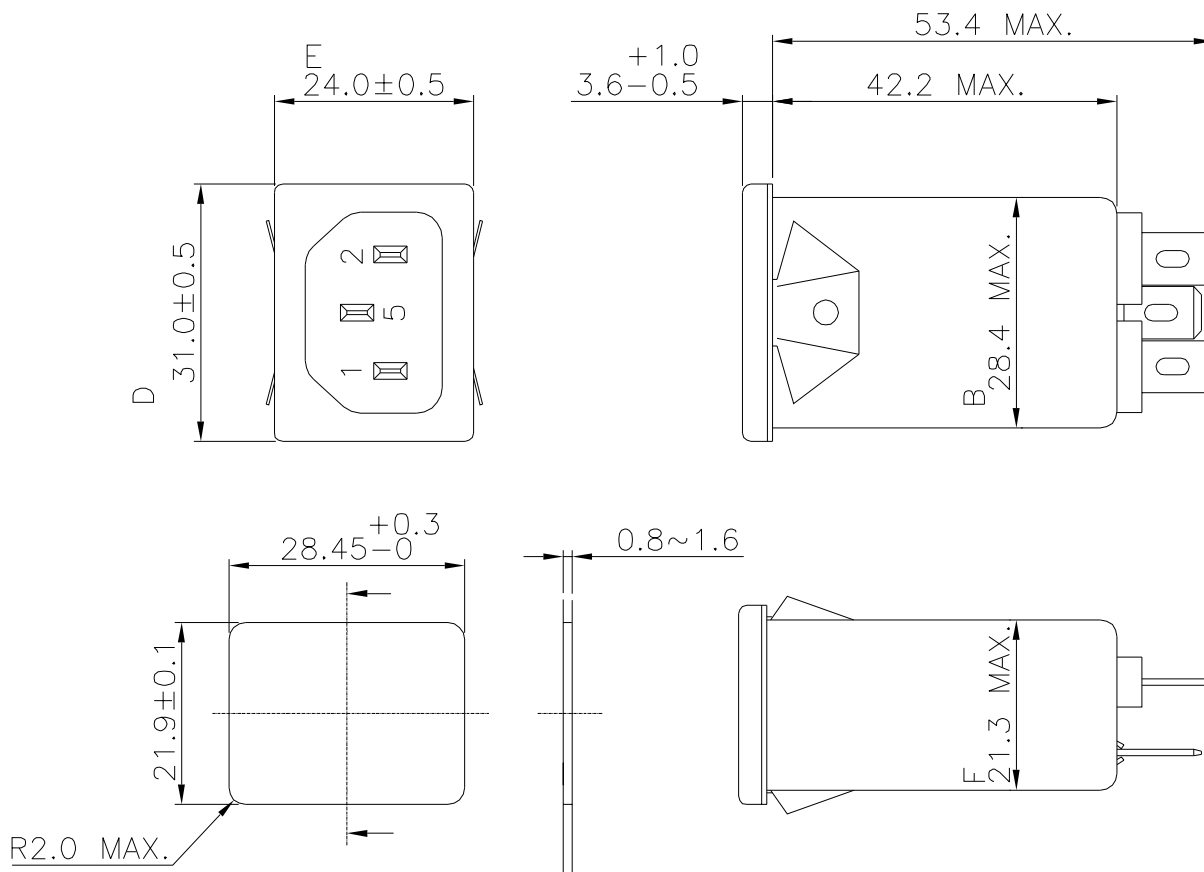
SPECIFICATION FOR APPROVAL



TO: _____

| | | | | | |
|------------|------------|------|-------------------|-----------------------|--|
| PART NO. | | REV. | | DELTA SAMPLE ISSUE NO | |
| PART NAME | EMI FILTER | | DELTA MODEL | 15GENG3E | |
| ORDER P/N. | 15GENG3E | | SAMPLE ISSUE DATE | | |

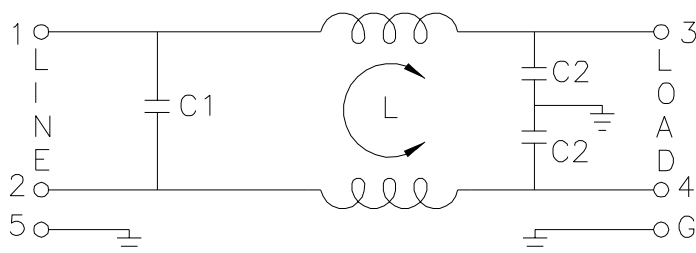
2. PHYSICAL DIMENSIONS:



SUGGESTED MOUNTING CUTOUT

UNIT: mm

3. SCHEMATIC:



L: 0.2mH
C1: 0.1uF
C2: 2200pF

| | | | | |
|-----------|------------|-------------|------|--|
| REPORT BY | CHECKED BY | APPROVED BY | | |
| | | | REV. | |

DELTA ELECTRONICS, INC.

186 RUEY KUANG ROAD, NEIHU. TAIPEI 114,
TAIWAN, R.O.C.
TEL:886-2-87972088 FAX:886-2-87972120