

EC Diagonal Compact Modules

Series K3G200-AD Ø 200 mm



Highlights:

- Control Input: 0-10 VDC/PWM
- Output: 10 VDC, max 1.1 mA
- Tach Output
- Over-temperature protected electronics/motor
- Soft start, motor current limit
- Locked rotor protection

Material: Impeller: PA composite
Housing: PP composite

Mounting position: Any

Condensate discharge holes: None, open rotor

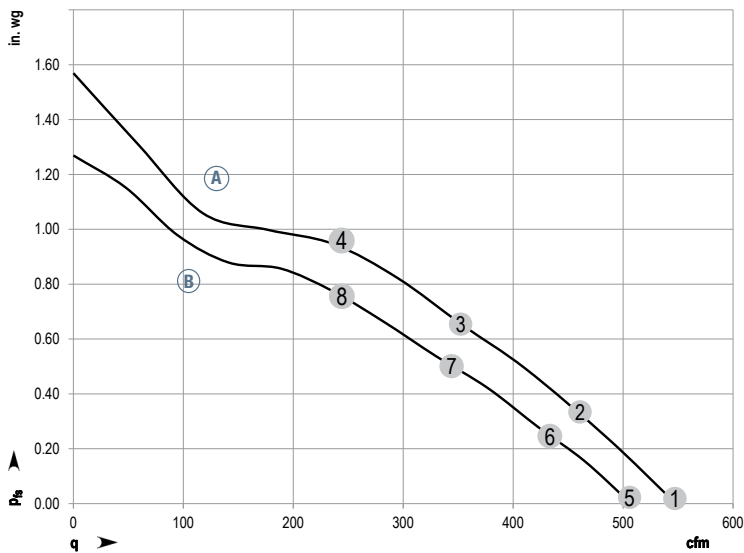
Direction of rotation: Clockwise, seen on rotor

Nominal Data

Type	Motor	Air flow cfm	Phase	Voltage VAC	Voltage range VAC	Frequency Hz	Power input (1) W	Speed (1) rpm	Current draw (1) A	Max back pressure in. H ₂ O	Temperature range (1) °C	Mass lbs	Bearing	Ingress protection rating	UL	Chart
K3G200-AD21-01	M3G055-BI	547	1~	230V	200...240	50/60	80	3100	0.7	0.884	-25...60	4.41	Ball	IP54	Yes	Ⓐ
K3G200-AD11-02	M3G055-BI	506	1~	115V	100...130	50/60	65	2850	1.0	0.723	-25...60	4.41	Ball	IP54	Yes	Ⓑ

(1) Nominal data at maximum load.

Curves



Air performance measured as per: ISO 5801, Installation category A, without protection against accidental contact.

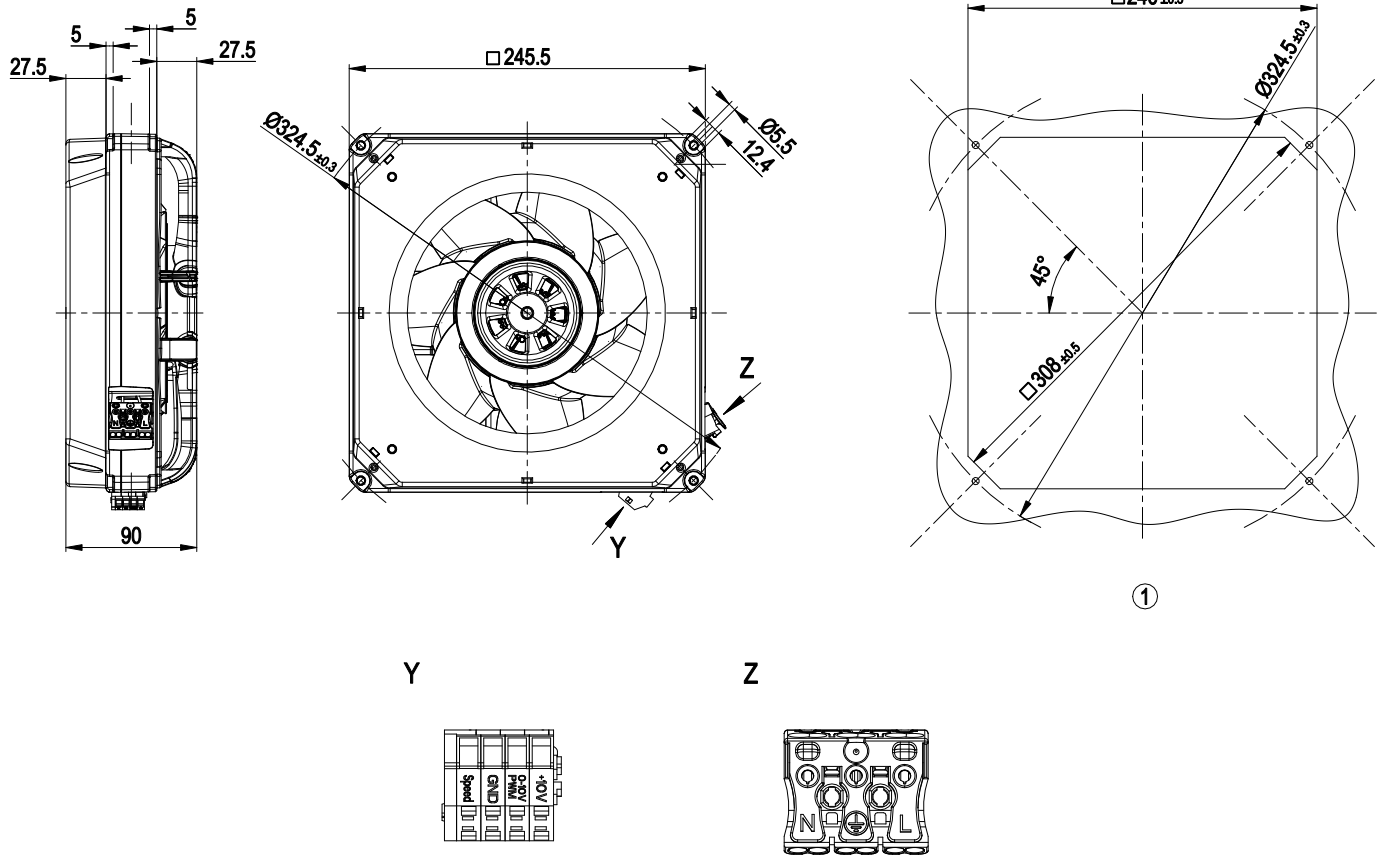
Suction-side noise levels: L_{WA} as per ISO 13347, L_{pA} measured at 1m distance to fan axis.

The values given are valid under the measuring conditions mentioned and may vary according to the actual installation situation.

With any deviation to the standard set-up, the specific values have to be checked and reviewed once installed or fitted.

For detailed information on the measuring set-up, please contact ebm-papst.

	n rpm	Pe W	I A	L _{pA} dB(A)	L _{WA} dB(A)
1	3160	69	0.63	64	72
2	3120	75	0.68	62	70
3	3100	80	0.70	61	69
4	3100	76	0.69	61	69
5	2945	59	0.96	62	70
6	2885	62	1.00	61	69
7	2850	65	1.00	59	68
8	2845	64	1.00	59	68



Connection screen

