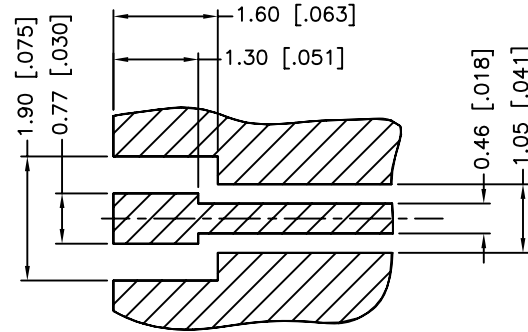
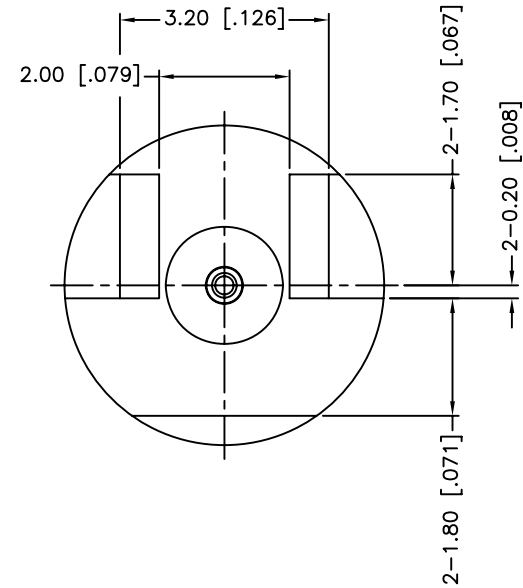
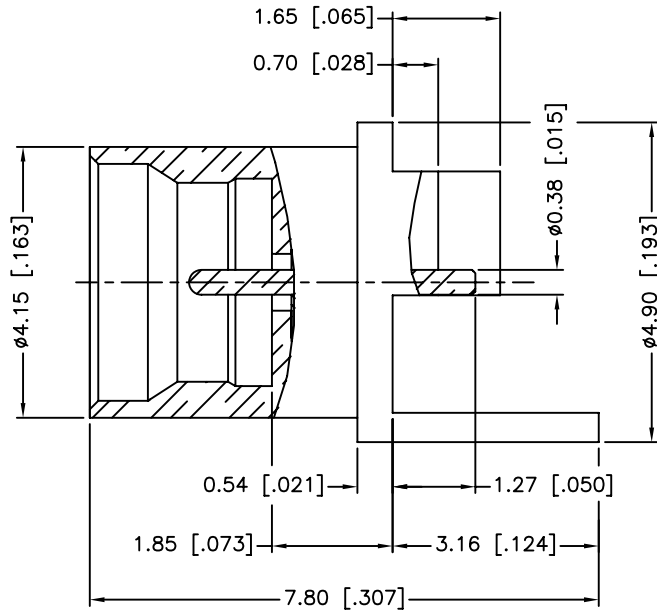
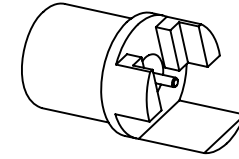


REV.	DATE	ECR NO.	DESCRIPTION
NC	04/02/11	XXXXXX	INITIAL RELEASE



RECOMMENDED PCB LAYOUT



1. FREQUENCY RANGE: DC 0-26.5 GHZ
2. PCB THICKNESS=1.6 mm

UNLESS OTHERWISE SPECIFIED DIMENSIONS ARE IN MILLIMETERS. DIMENSIONS IN [] ARE IN INCHES AND FOR CUSTOMER REFERENCE ONLY.

UNLESS OTHERWISE SPECIFIED TOLERANCES FOR MILLIMETERS ARE:
0.5 - 8mm ± 0.20mm
8 - 30mm ± 0.40mm
30 - 120mm ± 0.50mm

UNLESS OTHERWISE SPECIFIED TOLERANCES FOR INCHES ARE:
.020 - .315 = ± 0.007"
.315 - 1.180 = ± 0.015"
1.180 - 4.724 = ± 0.020"

DO NOT SCALE DRAWING

APPROVALS		DATE
DRAWN	M.ZHANG	04/02/11
CHECKED		
ISSUED		
SHEET	1 OF 1	
CAD FILE	C:/CONNEX/302114.DWG	

Amphenol Connex

PART DESCRIPTION			
SMP END LAUNCH RECEPT. JACK, LIMITED DETENT (FOR 1.6MM THICK PCB)			
PART NO.			
302114			
DWG. NO.	302114.DWG	REV.	NC
SIZE	A	SCALE	NA

QTY	FINISH	MATERIAL	DESCRIPTION
1	GOLD	BERYLLIUM COPPER	BODY
1	NATURAL	PTFE	INSULATOR
1	GOLD	BRASS	CONTACT PIN