

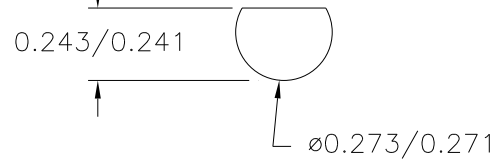
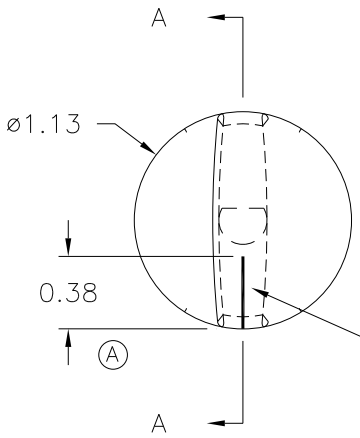
PART NAME: KNOB SCALE: 1:1 DATE: 4/30/04 DR. BY JAM

THIS DRAWING IS THE PROPERTY OF DAVIES MOLDING COMPANY, IS SUBMITTED SOLELY AS A DESIGN OR ENGINEERING PROJECT. WE ACCEPT NO RESPONSIBILITY WHATSOEVER FOR THE PRACTICAL APPLICATION OF THE PIECES MADE TO THIS DESIGN.

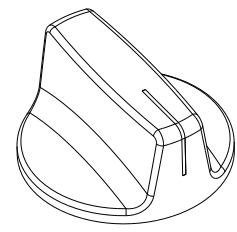


DESIGNERS & MANUFACTURERS OF KNOBS, HANDLES, CASES & CUSTOM PLASTIC COMPONENTS

| | |
|------------|---------|
| P/N 1500BU | |
| BASE PART | 1500-14 |
| SPRING | I1216 |

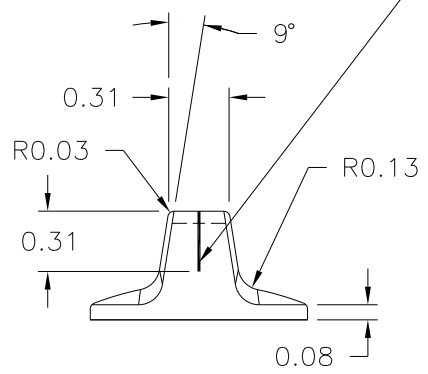


MOLDED HOLE DETAIL
SCALE 2:1

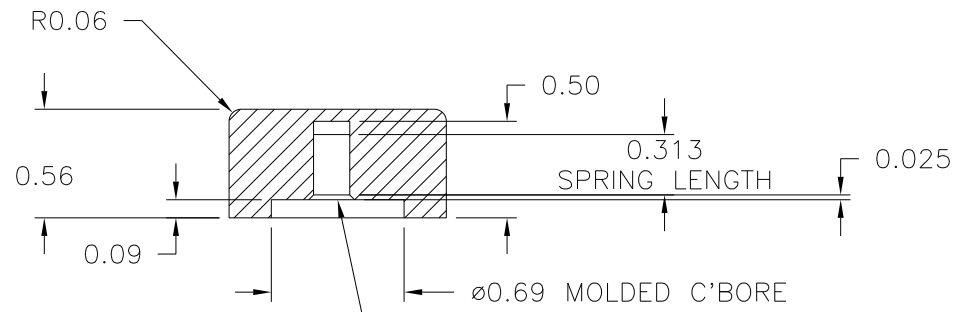


NO SCALE/ FOR REFERENCE

PAD PRINTED WHITE INDICATOR LINE (0.020 WIDE)
0.38 LONG ON TOP
0.31 LONG ON SIDE.



SECTION A-A



"D" SHAPED MOLDED HOLE
I1216 SPRING FOR A 1/4 SHAF
FLATTED TO 0.218

ⓐ ⓓ
MATERIAL: G.P. PHENOLIC (B11)
COLOR: BLACK

ⓑ

| | | | |
|---|-------------------|-----|---------|
| E | ADDED BASE PART | JAM | 2/11/14 |
| D | WAS #4311 | JAM | 12/6/04 |
| C | WAS 2300 PHENOLIC | JAM | 9/29/04 |
| B | ADDED PLENCO 2300 | RF | 7/15/04 |
| A | MOVED LINE 180° | RF | 5/27/04 |
| - | WAS SK1500-03 | JAM | 4/30/04 |

| | |
|---|----------------------------------|
| TOLERANCES: UNLESS OTHERWISE SPECIFIED | DO NOT SCALE DRAWING |
| DECIMALS: X.XXX ± .005 X.XX ± .015 | MM: X.XX ± 0.15MM X.X ± 0.4MM |
| FRACTIONS ± 1/64 | ANG. ± 1° |

CHANGES