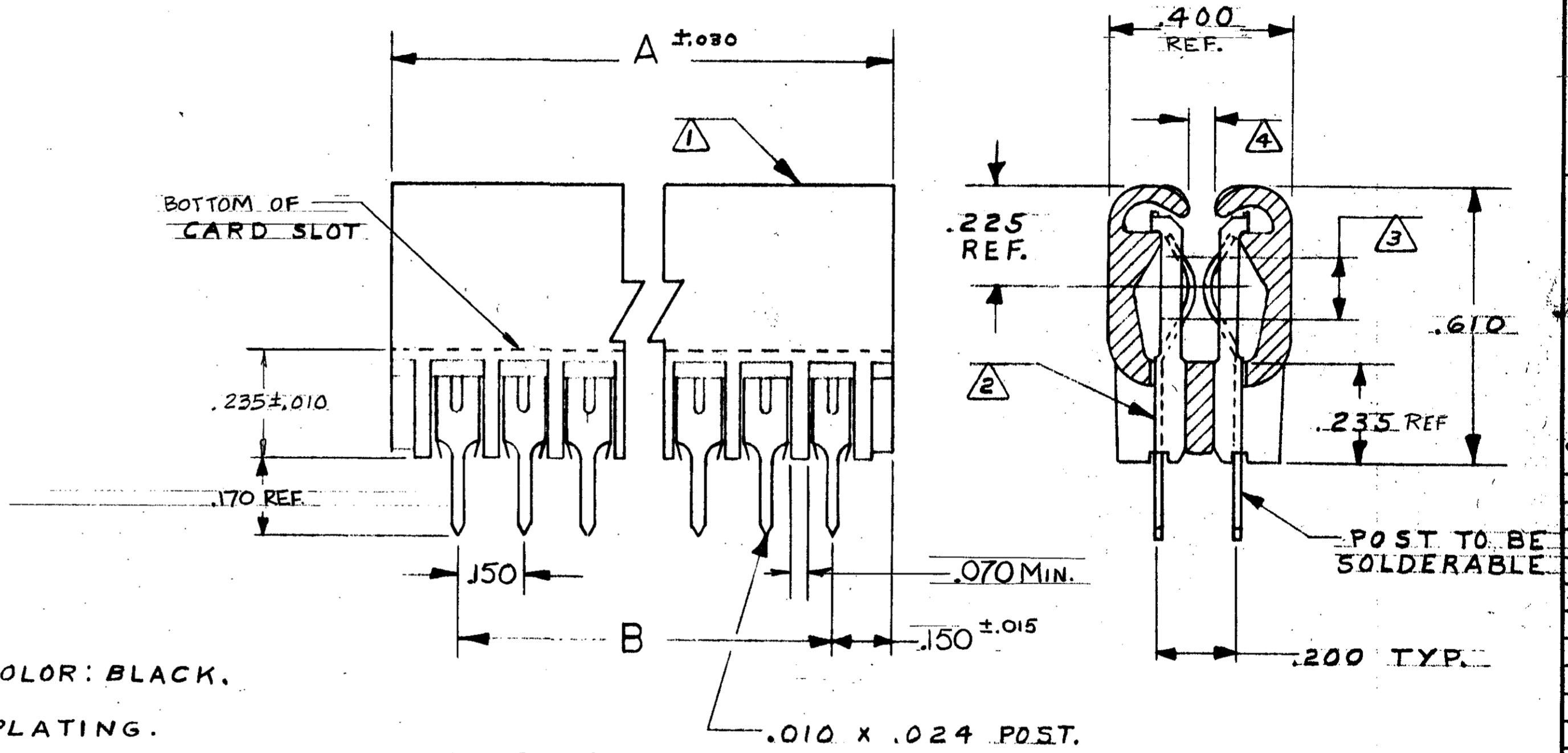


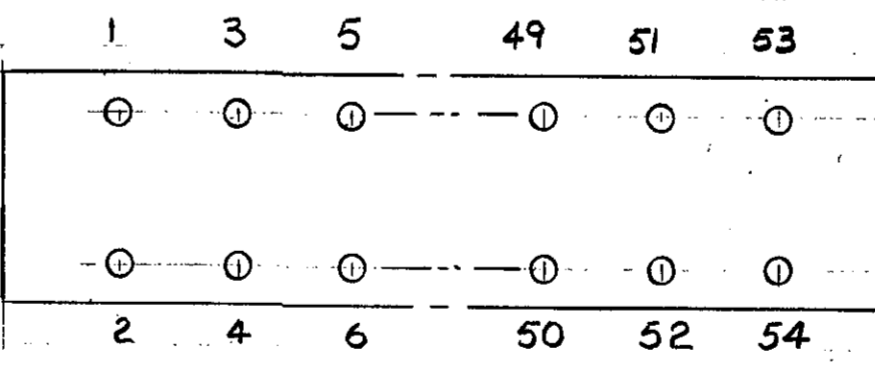
THIS DRAWING IS UNPUBLISHED. RELEASED FOR PUBLICATION
 © COPYRIGHT 19 BY AMP INCORPORATED, HARRISBURG, PA. ALL INTERNATIONAL RIGHTS RESERVED. AMP PRODUCTS MAY BE COVERED BY U.S. AND FOREIGN PATENTS AND/OR PATENTS PENDING.

PART NUMBER	NO. OF POSITION	A	B	OMIT CONTACTS FROM CAVITIES:	FINISH
645275-1	27	4.200	3.900	3,4,5,6,13,14,15,16,43,44,45,46	3
5-645275-1	27	4.200	3.900	3,4,5,6,13,14,15,16,43,44,45,46	5

REVISIONS					
P	F	ZONE	LTR	DESCRIPTION	DATE APPROVED
			O	REL. 64-14407-3	1-85 Ray J.
			A	REV PER AD 1698	8-5-87 LEW
			B	REV PER AD 1868	3-88 LEW
			C	REV 0010-0252-93	3-8-93 RB/UM
			D	REV PER EC 0320-209-97	7-7-97 NS
			E	REV PER EC 0G3C-515-05	18-JAN-05 MM



- 1 HOUSING: GLASS FILLED POLYESTER, COLOR: BLACK.
- 2 CONTACT: PHOSPHORUS BRONZE.
- 3 FINISH: .000015 GOLD SELECTIVE PLATING.
- 4 FIT FOR .055 - .070 P.C. BOARD.
- 5 MATTE TIN PLATED TAILS.



CIRCUIT IDENTIFICATION
 VIEWED FROM SOLDER POST.

UNLESS OTHERWISE SPECIFIED DIMENSIONS ARE IN INCHES. TOLERANCES ON: DECIMALS ±.005 ANGLES ±		CONTRACT NO		PART NO	
MATERIAL		DR <i>Ray Johnston</i> 1-22-85		AMP AMP INCORPORATED Harrisburg, Pa. 17106	
FINISH SEE TABLE		CHR <i>Ray Johnston</i> 1-22-85		NAME HOUSING ASSEMBLY, TWIN LEAF, .150 C, SOLDER TYPE POST.	
		APPD <i>Ray Johnston</i> 1-22-85		SIZE C	
		APPD <i>J. Blunk</i> 1-24-85		FSCM NO 00779	
		DSGN APPD		DRAWING NO 645275	
		OTHER APPD		SCALE 4-1	
				SHEET 1 OF 1	