

DETAILS

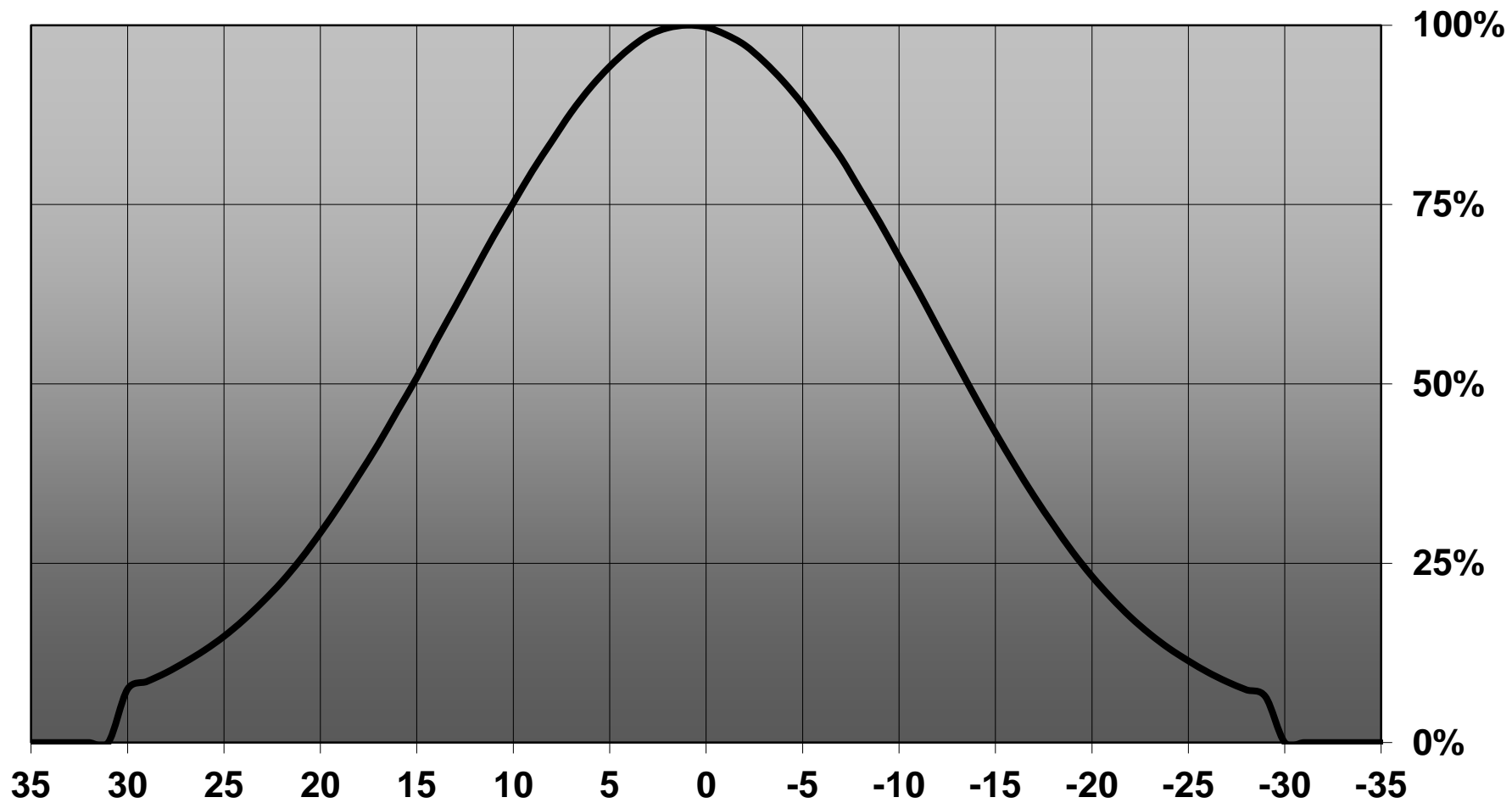
Product Number	CN11771_IRIS-M
Family	Iris
Type	Pack
Color	black
Diameter	38 mm
Height	29,6 mm
Style	round
Optic Material	PMMA,PMMA
Holder Material	
Fastening	glue, pin
Status	production ready
ROHS Compliant	Yes
Date Updated	21/04/2017

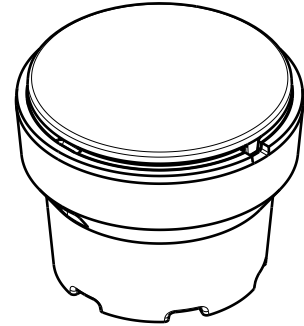
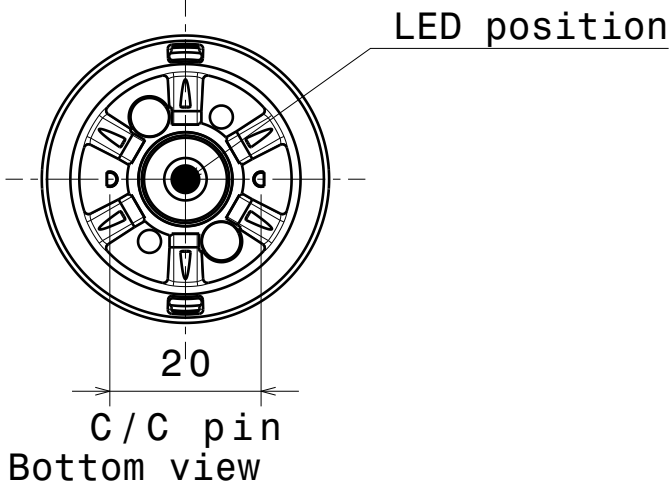
OPTICAL PROPERTIES

LED	Viewing	Light	Effi-	cd/lm	Connector
	Angle	Beam	ciency		
XHP70	30 deg	Medium	83 %	2.100	-
MHD-E/G	30 deg	Medium	83 %	2.200	-
SST-90	18 deg	Medium	-	-	-
Duris S10	29 deg	Medium	78 %	2.700	-

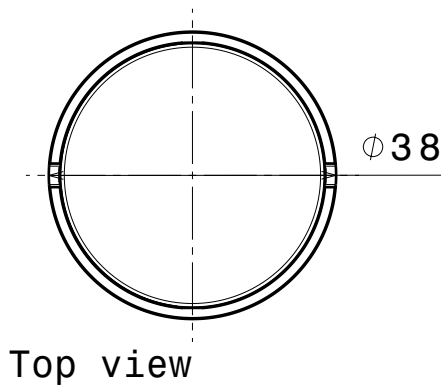
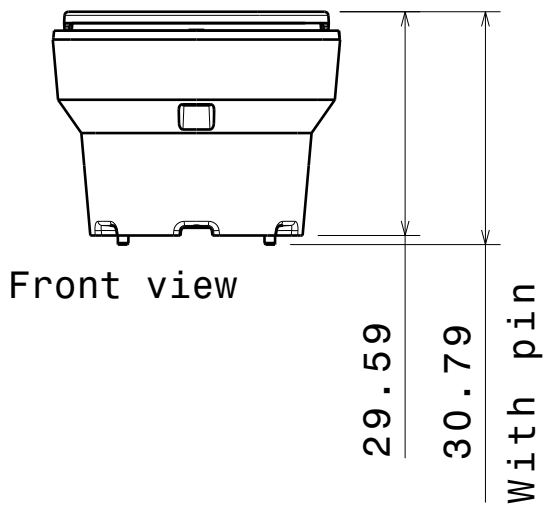


Relative intensity of CN11771_IRIS-M_(Duris_S10)





Isometric view
Scale: 1:1

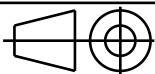


Tolerances if not otherwise shown
According to DIN ISO 2768-1
Linear measures:
up to 30mm class M, otherwise class C
According to DIN ISO 2768-2
Form and position: class L

LEDiL

Ledil Oy
Salorankatu 10
FIN 24240 SALO
Finland

THIRD ANGLE PROJECTION:



DRAWING TITLE

CN11771_IRIS-M

This drawing is the property
of LEDiL Oy. It may not be
reproduced, copied or
communicated without a written
agreement with LEDiL Oy.

SIZE PART NUMBER

A4

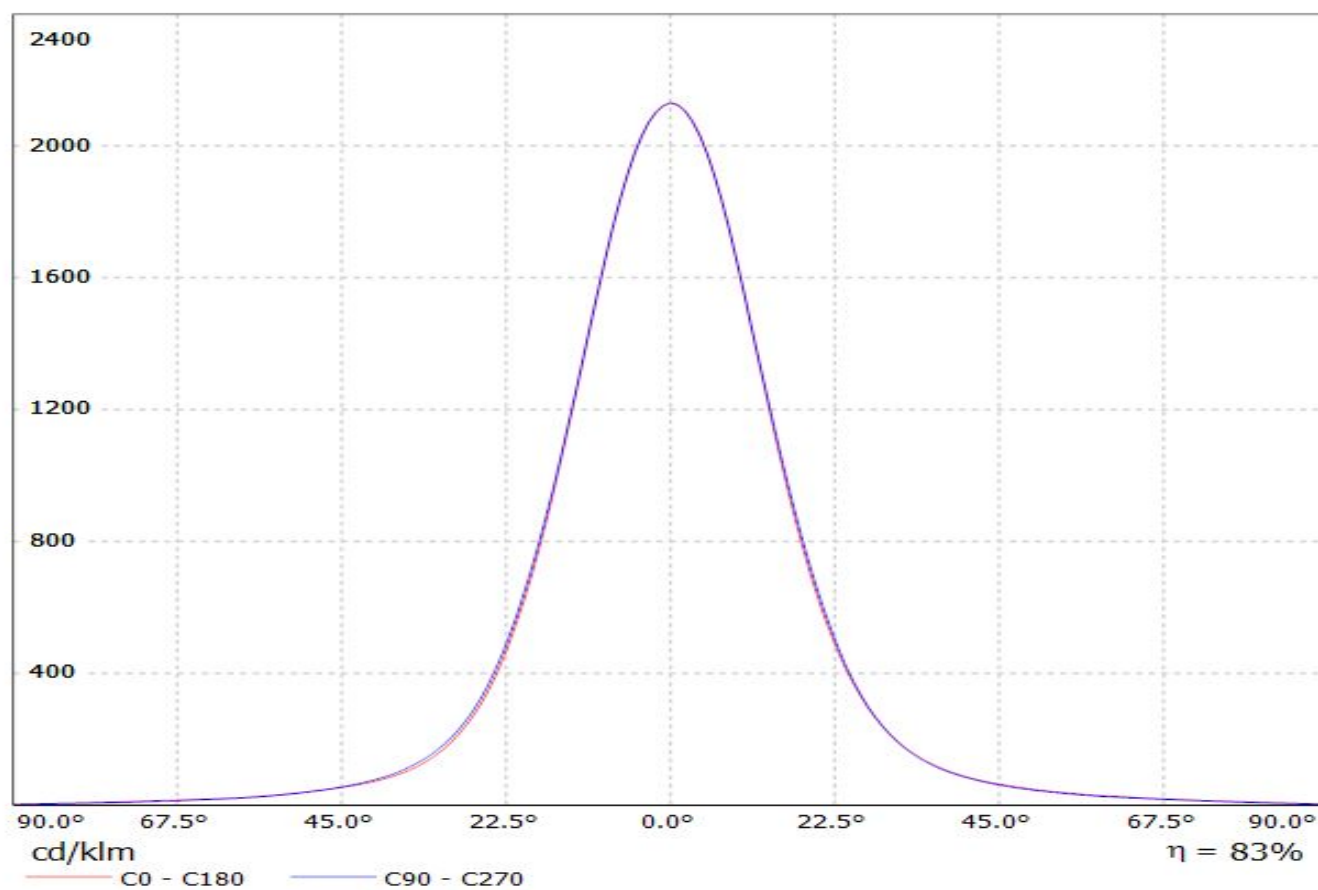
CN11771

SCALE 1:1 WEIGHT 21,02 g SHEET 1/1

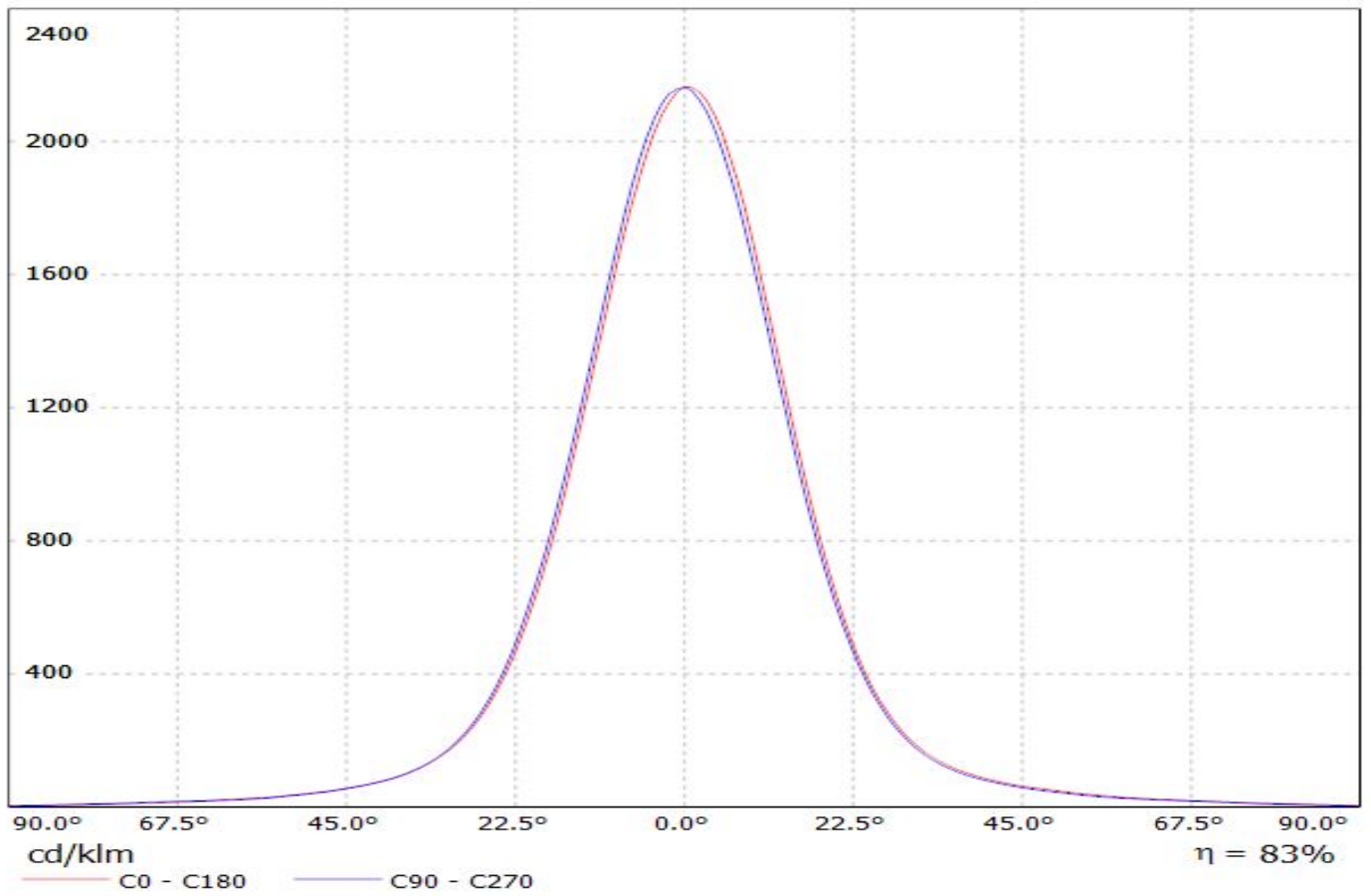
D

A

Luminaire: EVERFINE CN11771_IRIS-M_(CREE_XHP70)
Lamps: 1 x CREE_XHP70_288.639lm@250mA_P=2.69892W_I=0.2499A

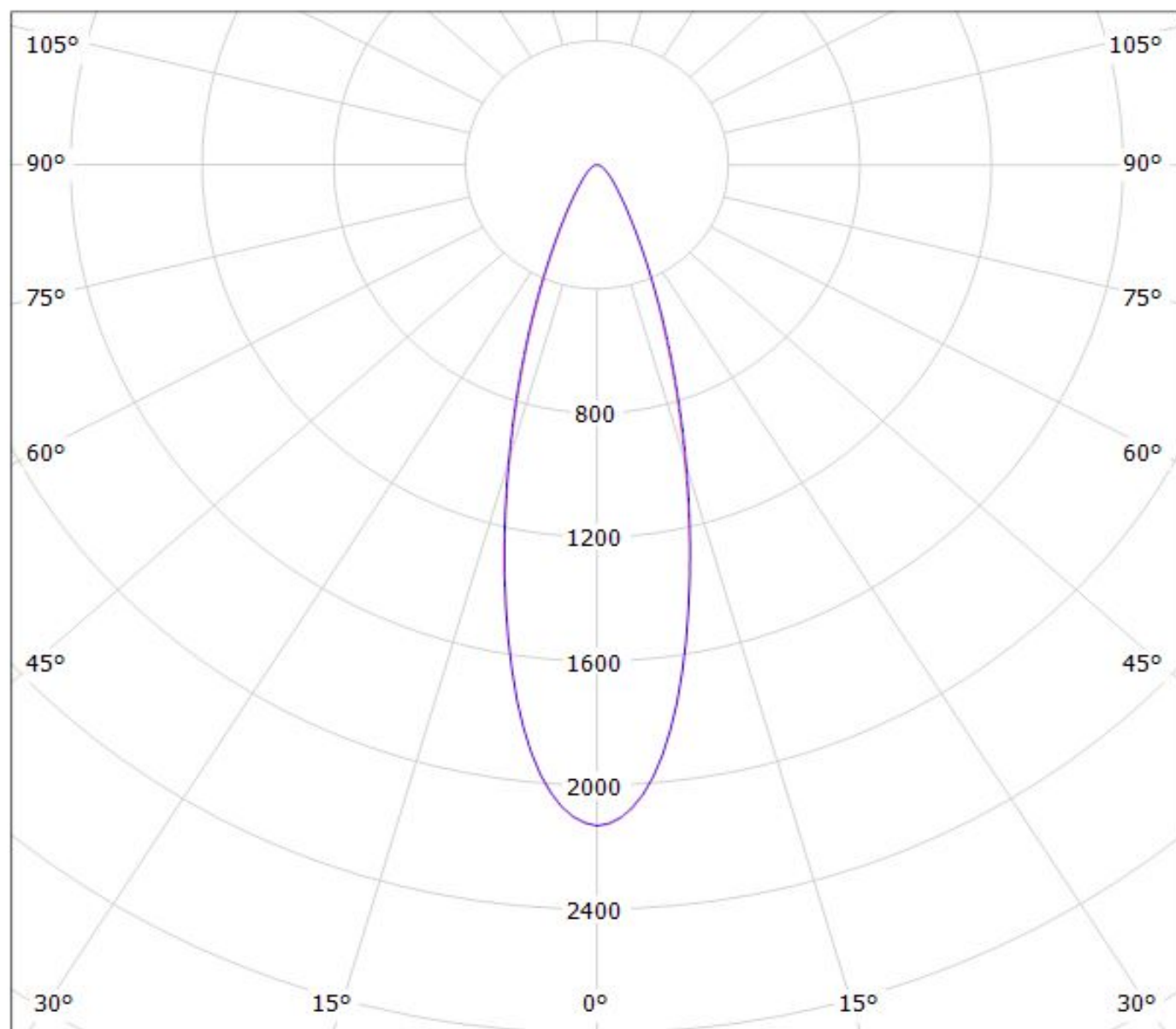


Luminaire: Ledil CN11771_IRIS-M_(MHD-G)
Lamps: 1 x MHD-G_528.91lm@100mA_P=3.0W_I=0.100A



Luminaire: EVERFINE CN11771_IRIS-M_(CREE_XHP70)

Lamps: 1 x CREE_XHP70_288.639lm@250mA_P=2.69892W_η=0.2499A



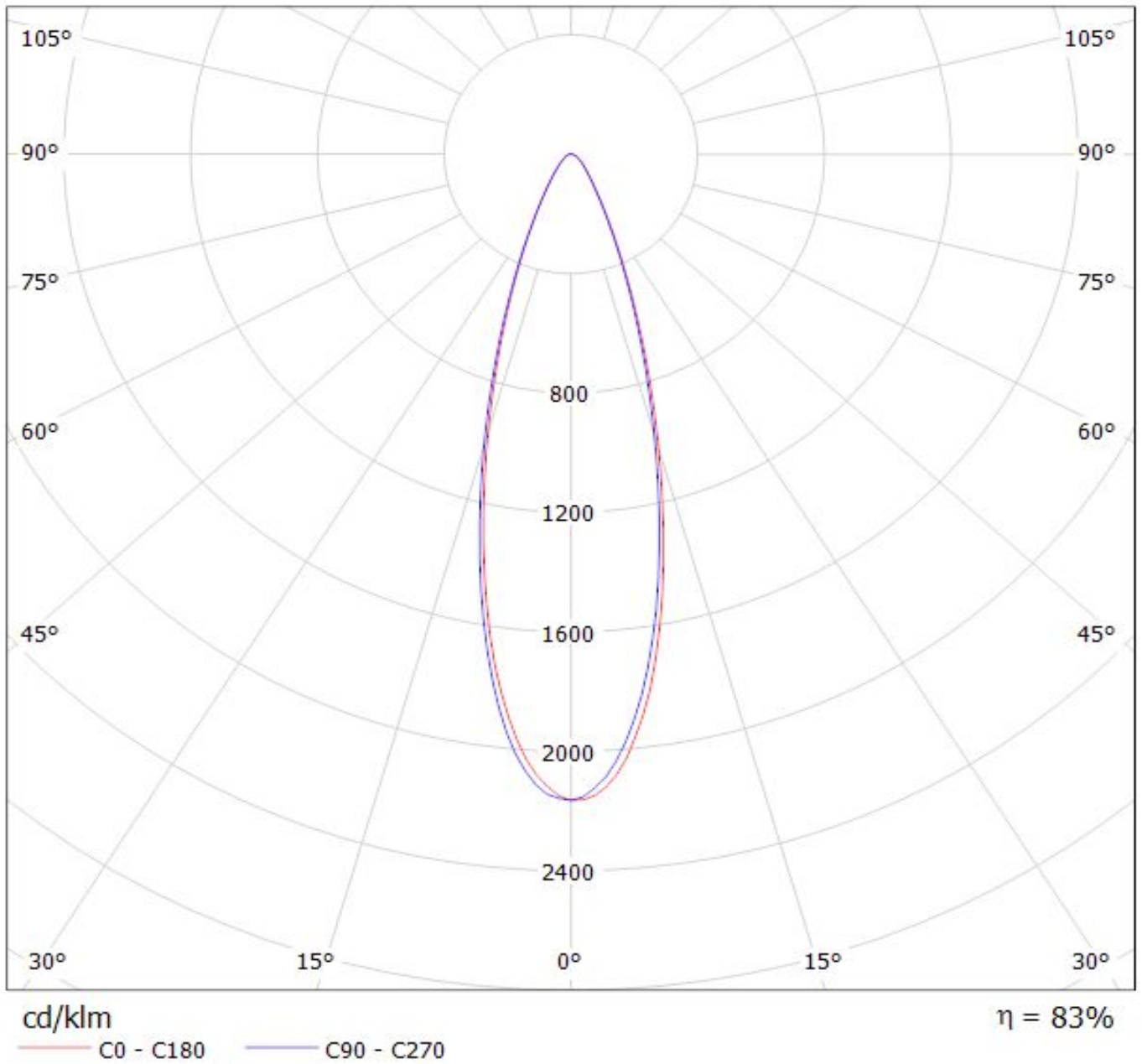
cd/klm

— C0 - C180

— C90 - C270

η = 83%

Luminaire: Ledil CN11771_IRIS-M_(MHD-G)
Lamps: 1 x MHD-G_528.91lm@100mA_P=3.0W_I=0.100A



NOTE: The typical divergence will be changed by different color, chip size and chip position tolerance. The typical total divergence is the full angle measured where the luminous intensity is half of the peak value.