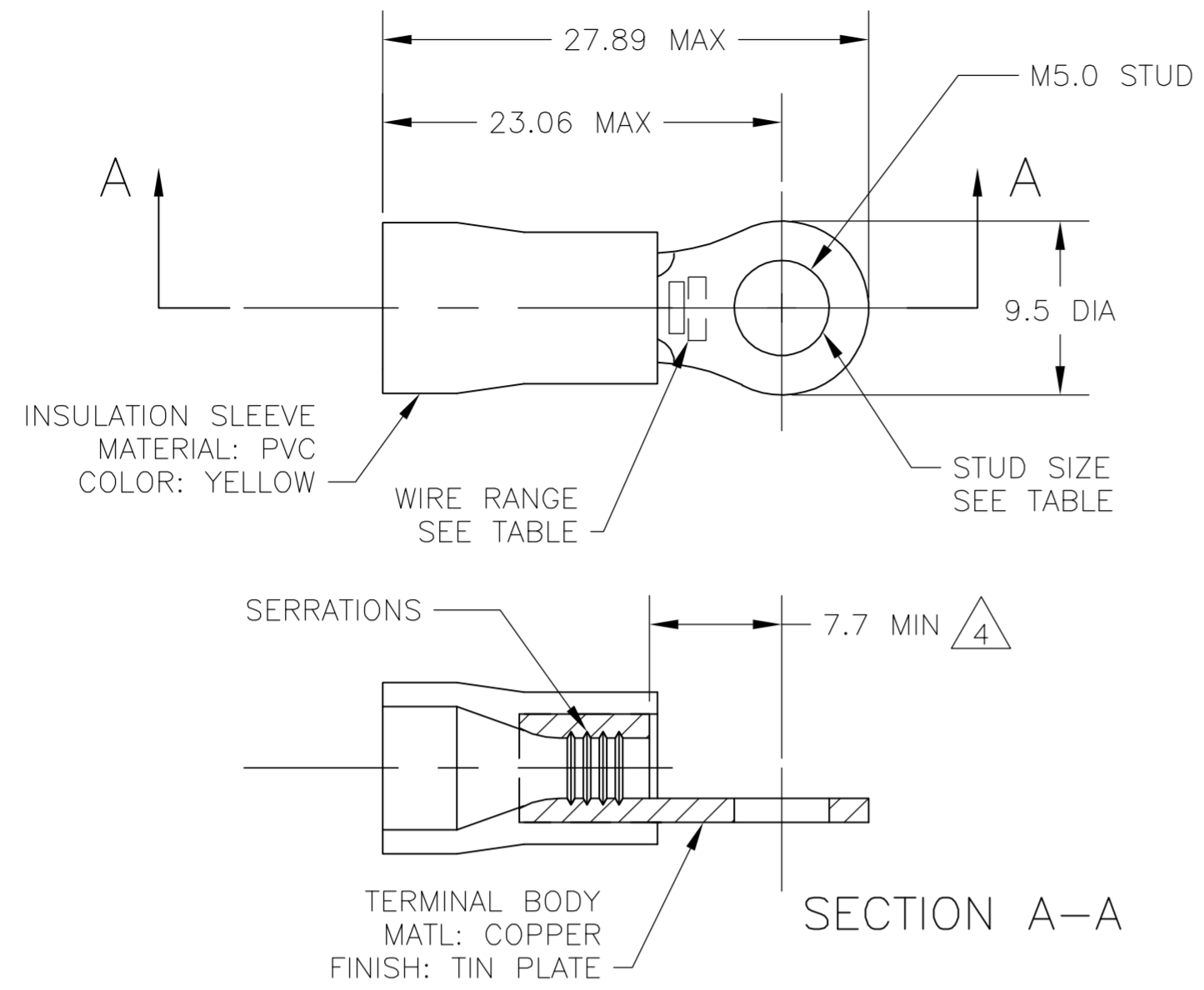


THIS DRAWING IS UNPUBLISHED. RELEASED FOR PUBLICATION  
 © COPYRIGHT BY TYCO ELECTRONICS CORPORATION. ALL RIGHTS RESERVED.

LOC	DIST	REVISIONS			
P	LTR	DESCRIPTION	DATE	DWN	APVD
G	02	R1	REV PER ECR-06-001930	13FEB06	HMR TM



- 1 WIRE SIZE IS 12-10 AWG
- 2 WIRE INSULATION DIA: 3.8-6.4
- 3 MATERIAL THICKNESS IS 1.0
- 4 DIMENSION APPLIES FROM EDGE OF METAL WIRE BARREL TO END OF PIN.
- 5 SUPERSEDED BY 342184-1

POLY BAG WITH HEADER	STANDARD	50	5	7-342184-1
PLASTIC BOX	STANDARD	50	5	6-342184-1
TAPED MOUNTED	STANDARD	2500		2-342184-1
PLASTIC BAG	STANDARD	500		342184-1
PACKAGING	LABELLING	QTY		PART NO

DIMENSIONS:		TOLERANCES UNLESS OTHERWISE SPECIFIED:		APVD		NAME		RESTRICTED TO	
INCHES		0 PLC	± -	T MICHIELUTTI		Tyco Electronics Corporation		-	
		1 PLC	± 0.5	T MICHIELUTTI		Harrisburg, PA 17105-3608		-	
		2 PLC	± -	T MICHIELUTTI		-		-	
		3 PLC	± -	-		-		-	
		4 PLC	± -	-		-		-	
		ANGLES	± 1°	-		-		-	
MATERIAL		FINISH		WEIGHT		SIZE		CAGE CODE	
-		-		-		A2		00779	
						DRAWING NO		RESTRICTED TO	
						C=342184		-	
				CUSTOMER DRAWING		SCALE		SHEET	
						5:1		1 of 1	
								REV	
								R1	