



PRODUCT DATASHEET

Florentina series

last update 20/9/2016

DETAILS

Product Number	C14446_FLORENTINA-SHD
Family	Florentina
Type	Shade
Color	black
Diameter	286,8+27,45 mm
Height	22,5 mm
Style	rectang
Optic Material	
Holder Material	
Fastening	pin, glue
Status	production ready
ROHS Compliant	Yes
Date Updated	20/09/2016

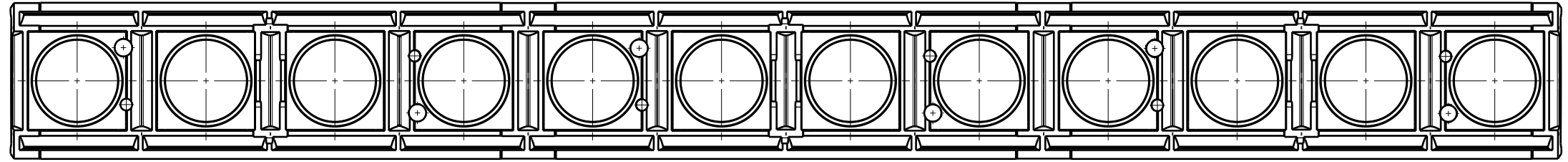
OPTICAL PROPERTIES

LED	Viewing Angle	Light Beam	Efficiency	cd/lm	Connector
XP-G	N/A deg		-	-	-



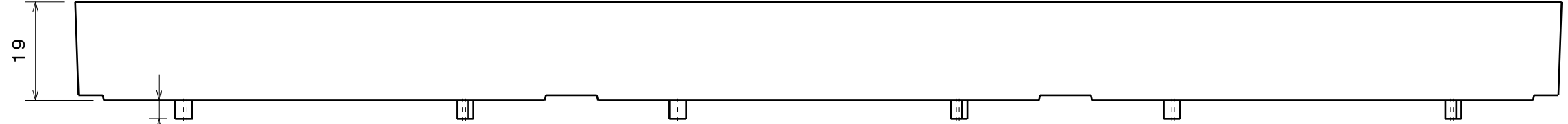
H G F E D C B A

4



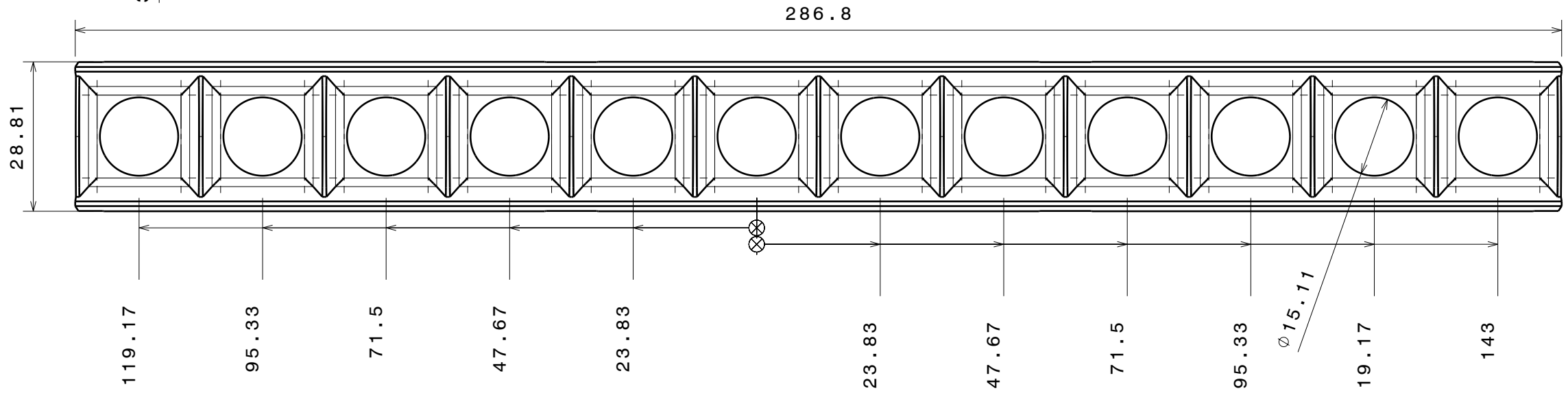
4

3



3

2



2

1

INDEX	PART NO	DESCRIPTION	MATERIAL	COLOUR
1			PC	black

Tolerances if not otherwise shown
According to DIN ISO 2768-1
Linear measures:
Up to 30mm class C, otherwise class C.
According to DIN ISO 2768-2
Form and position: class L

LEDiL LediL Oy
Salorankatu 10
FIN 24240 SALO
Finland

THIRD ANGLE PROJECTION:

DRAWING TITLE
Datasheet FLORENTINA-SHD

DRAWN BY
pasi.vallevuori

DATE
4.9.2014

CHECKED BY

SIZE
A3

DESIGNED BY

DATE

PART NUMBER
C14446

SCALE 1:1 WEIGHT 41,3 g SHEET

LEDiL PROPRIETARY

This drawing is the property of LEDiL Oy. It may not be reproduced, copied or communicated without a written agreement with LEDiL Oy.

H G B A

NOTE: The typical divergence will be changed by different color, chip size and chip position tolerance. The typical total divergence is the full angle measured where the luminous intensity is half of the peak value.