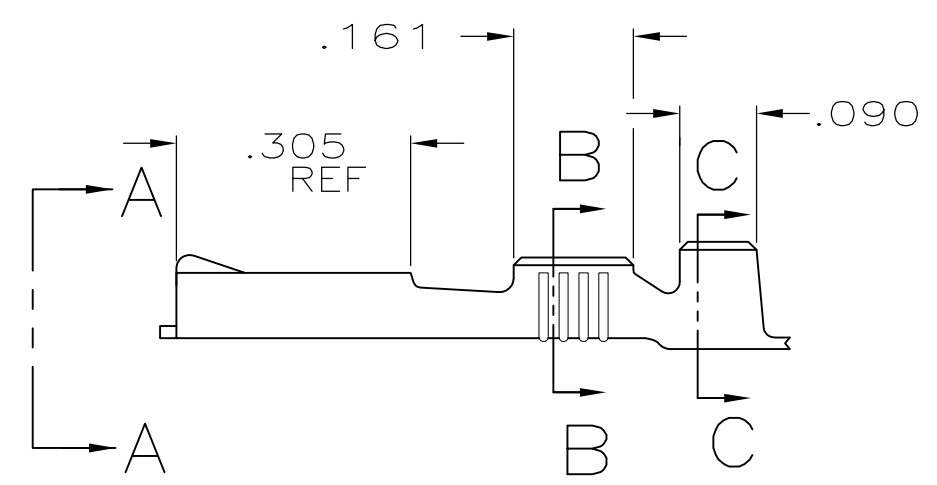
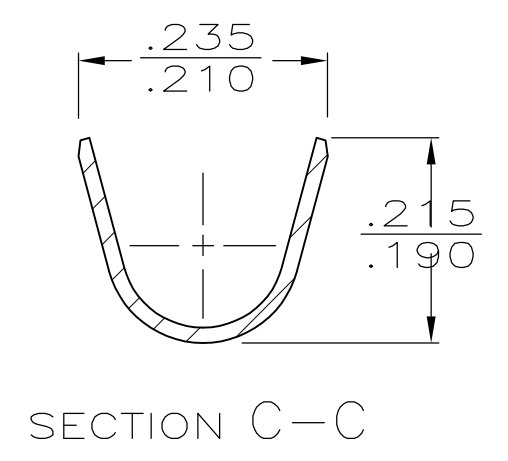
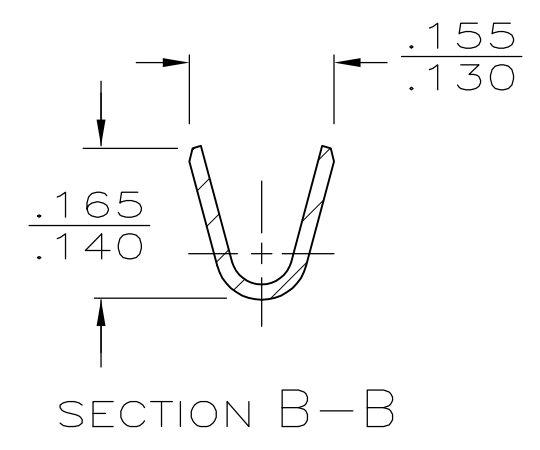
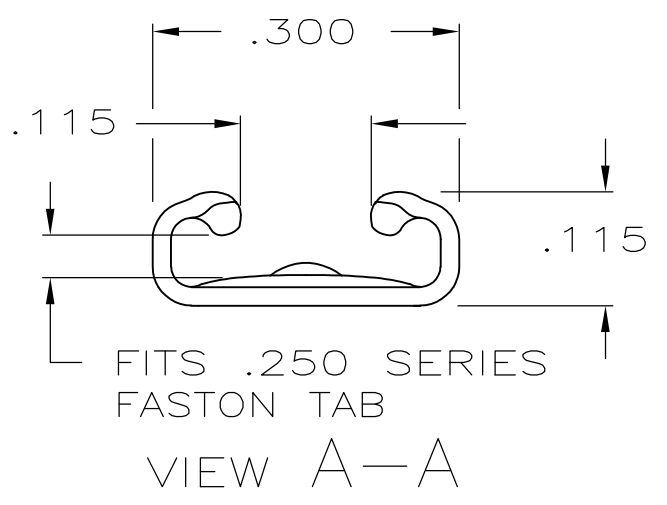
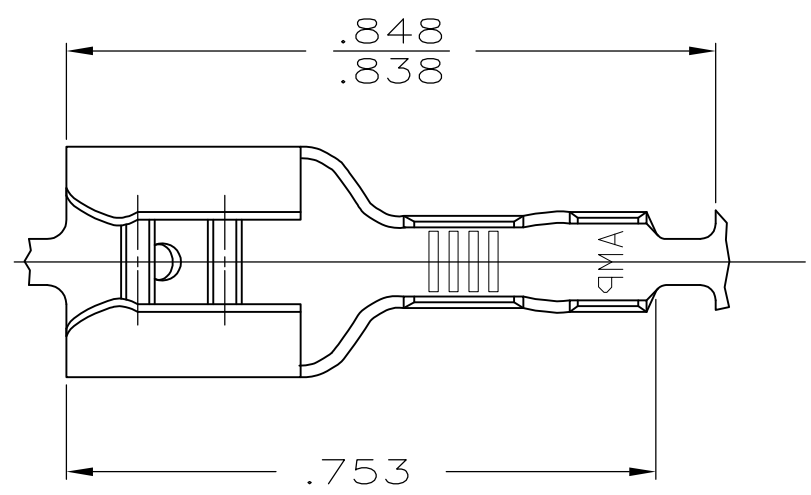


THIS DRAWING IS UNPUBLISHED. RELEASED FOR PUBLICATION
 © COPYRIGHT - By - ALL RIGHTS RESERVED.

LOC	DIST	REVISIONS			
P	LTR	DESCRIPTION	DATE	DWN	APVD
AF	50	U	REVISED PER ECR-12-013445	09NOV12	KH PD

- 1 CONTINUOUS STRIP ON REELS.
- 2 MATING TAB THK IS .032
- 3 WIRE SIZE IS #18-#14 AWG.
- 4 INSULATION RANGE IS .120-.170 DIA. ±.001
- 5 PRELIMINARY - NOT FOR PRODUCTION
- 6 REDUCED PACKAGE QUANTITY



OBSOLETE

FINISH	MATERIAL	PART NO
TIN	.016±.001 BRASS	42660-6
NICKEL	.016±.001 STEEL	42660-5
PRE-TIN	.016±.001 BRASS	42660-4
TIN	BRASS	42660-2
	BRASS	42660-1

THIS DRAWING IS A CONTROLLED DOCUMENT.		DWN	JR RUTH	4/17/86	STE TE Connectivity				
DIMENSIONS: INCHES		CHK	G YETTER	4/17/86				RECEPTACLE FASTON™ .250 SERIES	
TOLERANCES UNLESS OTHERWISE SPECIFIED:		APVD	C MEYERS	4/17/86	NAME				
0 PLC ± - 1 PLC ± - 2 PLC ± - 3 PLC ± .015 4 PLC ± - ANGLES ± -		PRODUCT SPEC		APPLICATION SPEC		SIZE	CAGE CODE	DRAWING NO	RESTRICTED TO
MATERIAL SEE ABOVE		FINISH SEE ABOVE		WEIGHT -		A3 00779		C-42660	-
CUSTOMER DRAWING				SCALE	NTS	SHEET	1 OF 1	REV	U