

TECHNICAL CHARACTERISTICS

MATERIAL  
 INSULATOR: PBT  
 COLOR: WHITE  
 CONTACT MATERIAL: COPPER ALLOY  
 CONTACT TYPE: STAMPED  
 CONTACT PLATING: SELECTIVE GOLD  
 SHIELDING: STEEL NICKEL PLATED  
 QUALITY CLASS: 100 MATING CYCLES

ENVIRONMENTAL  
 OPERATING TEMPERATURE: -25 UP TO 85°C  
 FLAMABILITY RATING: UL94-V0  
 COMPLIANCE: LEAD FREE AND ROHS

ELECTRICAL  
 CURRENT RATING: 3A  
 WORKING VOLTAGE: 40V  
 INSULATOR RESISTANCE: >1000 MOHM  
 DIELECTRIC WITHSTANDING VOLTAGE: 500V AC/MN  
 CONTACT RESISTANCE: 20 mOHM MAX

STANDARD  
 CERTIFIED: E323964 / MODEL NUMBER 675024321321

SOLDERING  
 WAVE PROCESS ONLY

MOUNTED ACCESSORIES  
 UNC 4-40 HEX SCREW / BOARD LOCK

PACKAGING  
 TRAY

RoHS Compliant			
G			
F			
E	31-JAN-13	QUALITY CLASS	QL
D	12-AUG-11	SHIELDING	GG
C	08-JUL-10	PACKAGING	JC
B	19-NOV-09	STANDARD	JP
A	14-SEP-09	PIN BOTTOM VIEW	CH
REV	DATE	FILE	BY

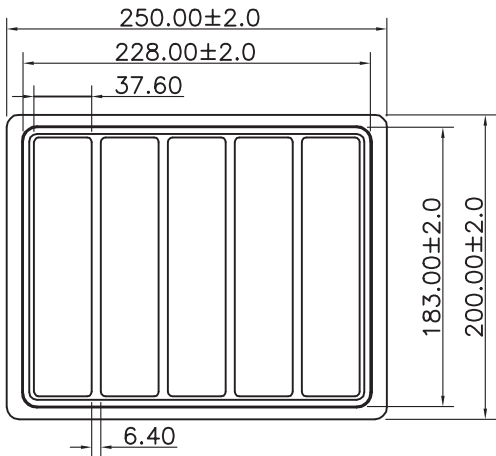
PROJECTION:	
APPROVAL: RJ	

GENERAL TOLERANCE	.X = +/- 0.2
	.XX = +/- 0.15
UNIT: MM	
SCALE:	
SHEET: 1/2	
DRAW: PEARL	

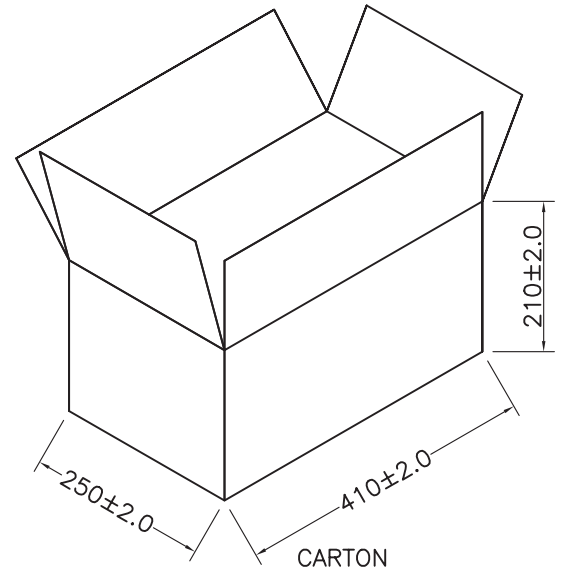
DESCRIPTION: ANALOGIC & DIGITAL ANGLED DVI UNC 4-40 SCREW	SIZE
WERI PART NO: 675 024 321 321	<b>A4</b>

A  
B  
C

D

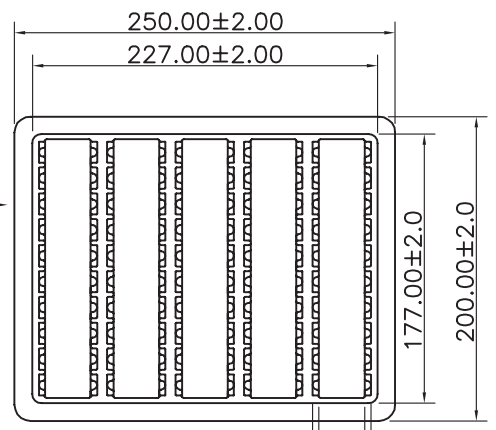
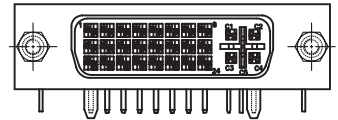


UPPER COVER



CARTON

NOTE:  
50PCS/TRAY, 1000PCS/BOX



BOTTOM COVER

27.00±2.0  
40.00±2.0

RoHS Compliant				PROJECTION: 	GENERAL TOLERANCE .X = +/- 0.2 .XX = +/- 0.15		DESCRIPTION: ANALOGIC & DIGITAL ANGLED DVI UNC 4-40 SCREW	SIZE <b>A4</b>
G								
F				APPROVAL: RJ	SCALE:			
E					SHEET: 1/2			
D					DRAW: PEARL			
C								
B								
A								
REV	DATE	FILE	BY					