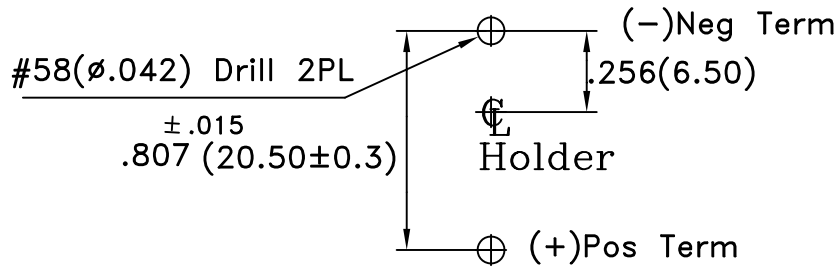
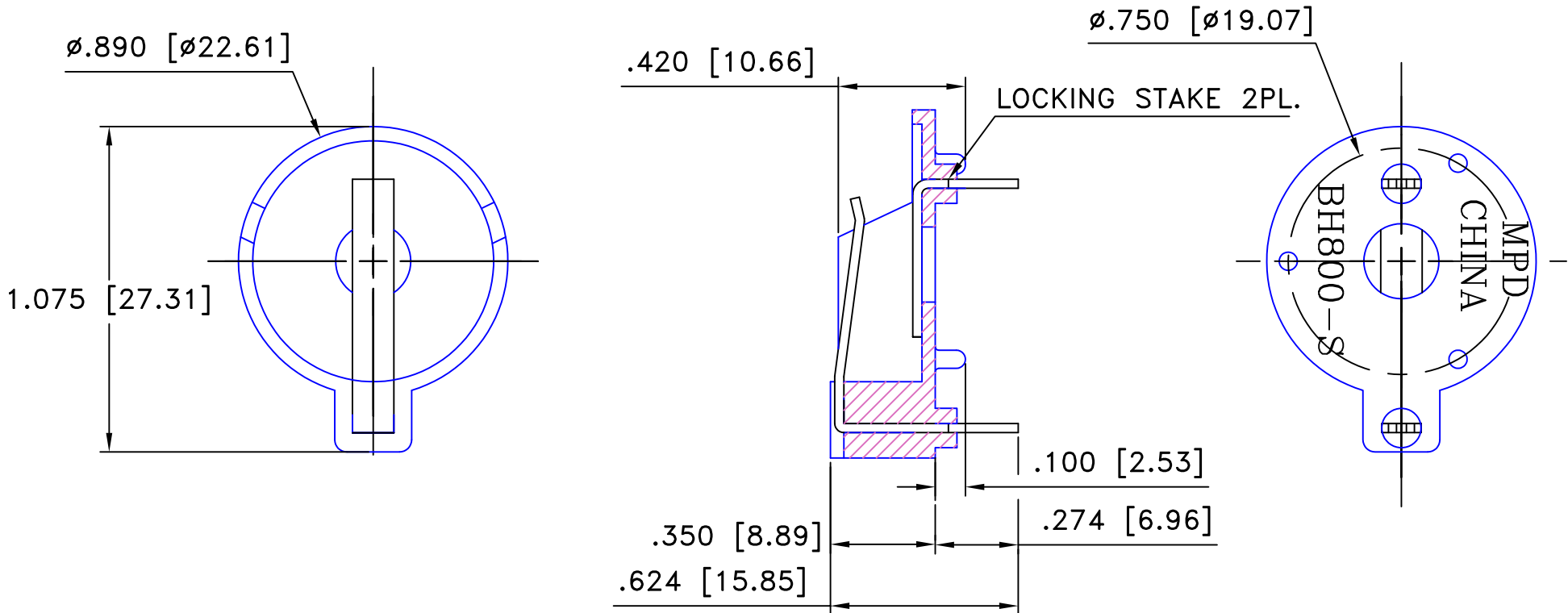


PCB LAYOUT




Date	SYM	REVISION RECORD	AUTH	DR.	CK.
12/11/04	A	"CHINA" WAS "KOREA"	T.B.	B.S.	
7/29/06	B	ADDED "ROHS COMPLIANT"	T.B.	B.S.	
1/20/07	C	Ø 0.820 WAS Ø 0.750	T.B.	B.S.	
10/19/07	D	Ø 0.750 WAS Ø 0.820	T.B.	B.S.	



SPECIFICATIONS

- \*Holder material—thermoplastic, black PBT
- \*Flammability rating—UL94V-0, File No.88499(M)
- \*Contacts—302 spring temper stainless steel nickel plated overall
- \*Dielectric strength—560volts/mil at 25°C for 5seconds
- \*Temperature range— -55° to +180°C
- \*Resistance to solvents—Xylene,ethyl,butyl,methyl&proptl alcohol;ethyl acetate,heptane;toluene;refrigerant
- \* ROHS COMPLIANT

Tolerance (Except as noted)	 <b>Memory protection Devices, Inc</b> 200 Broad Hollow Road, Farmingdale, New York 11735		
decimal ±.020 (.5)	Scale 4=1	Drawn By B.S. Approved By T.B.	
Fractional ± .030 (.8)	Title CR/BR 2025/2032 TWO COIN BATTERY		
Angular ± 3°	Date 10/19/07	Drawing Number BH800S	