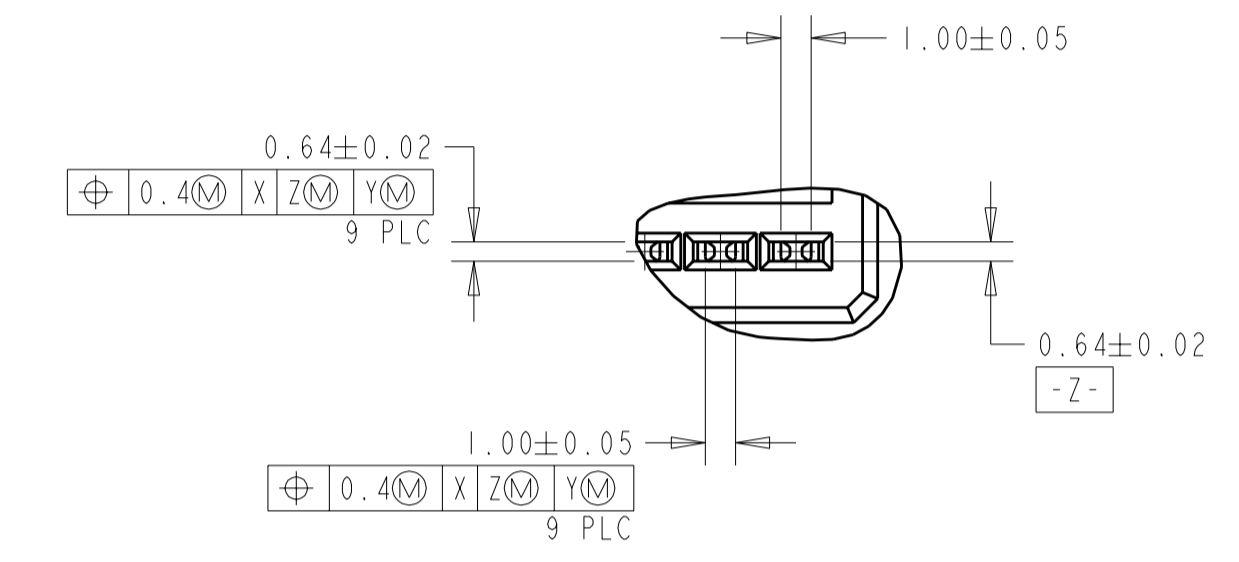
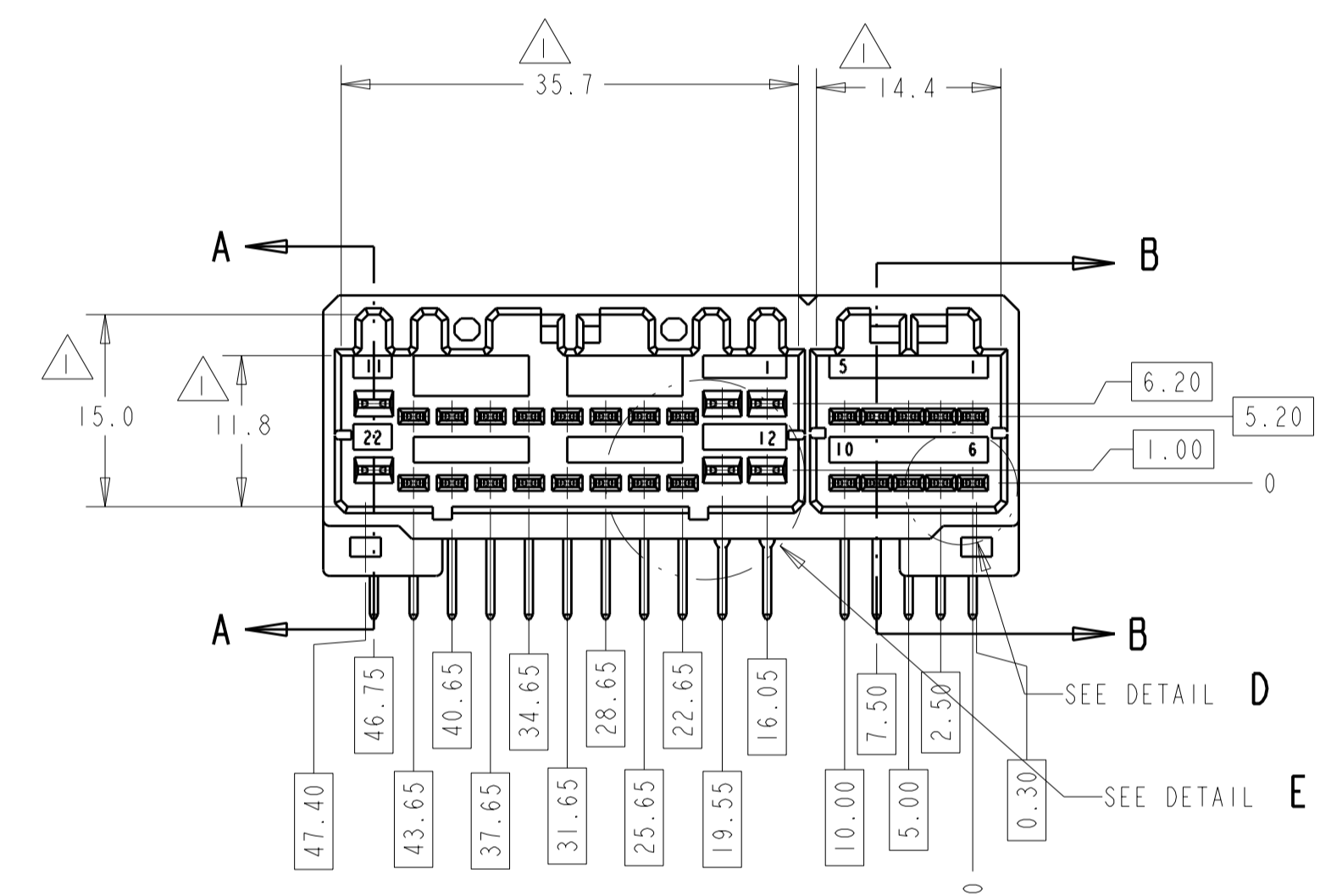
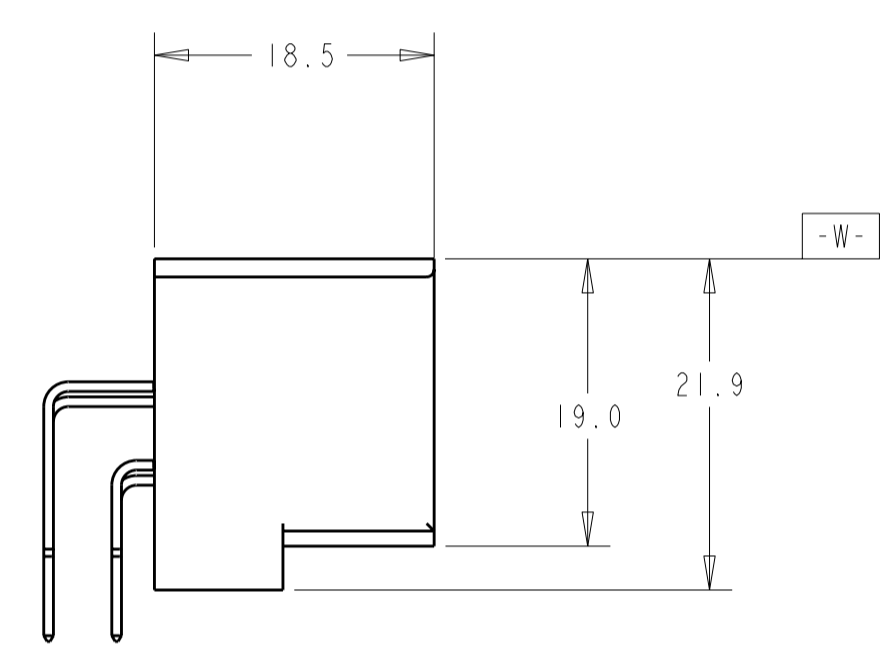
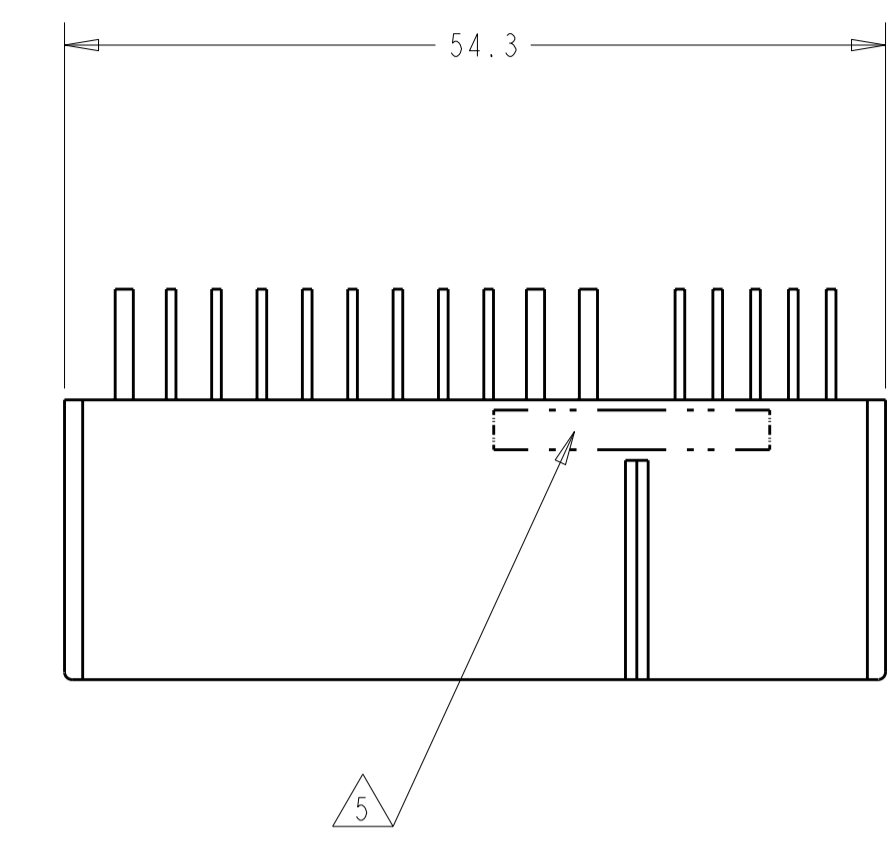
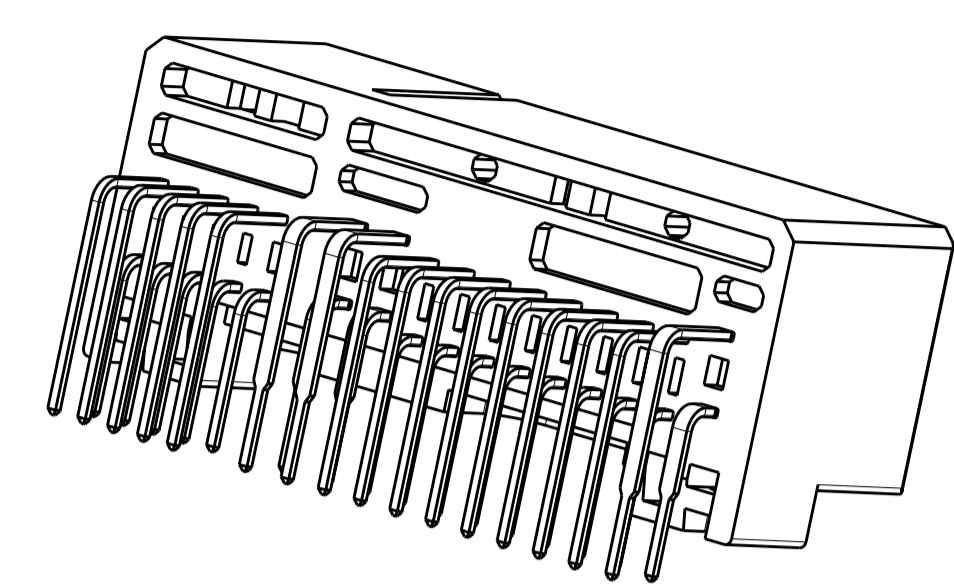
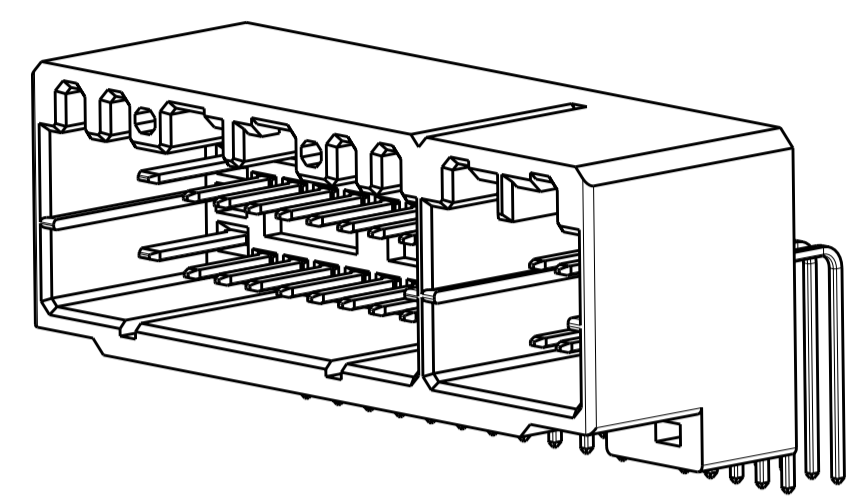
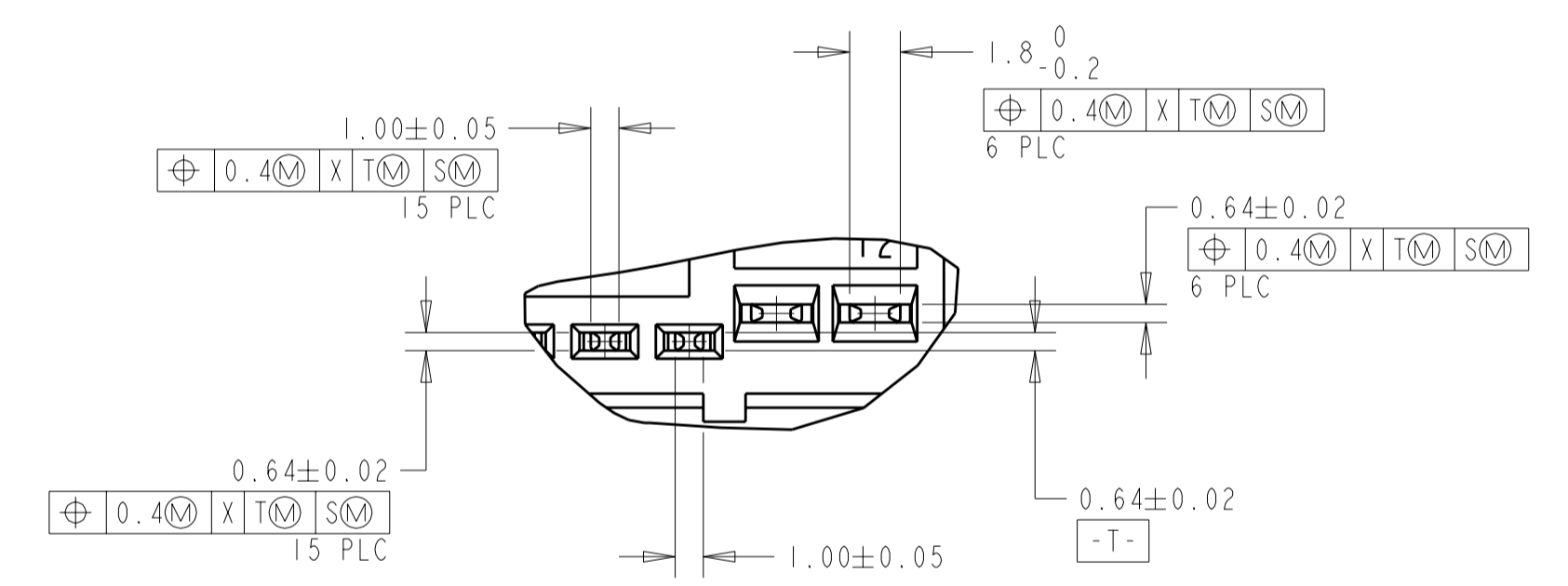


LOC	DIST	REVISIONS			
F	LTR	DESCRIPTION	DATE	DMN	APVD
F		RLSD PER EC OK80-0035-05	28FEB2005	RGV	RMC

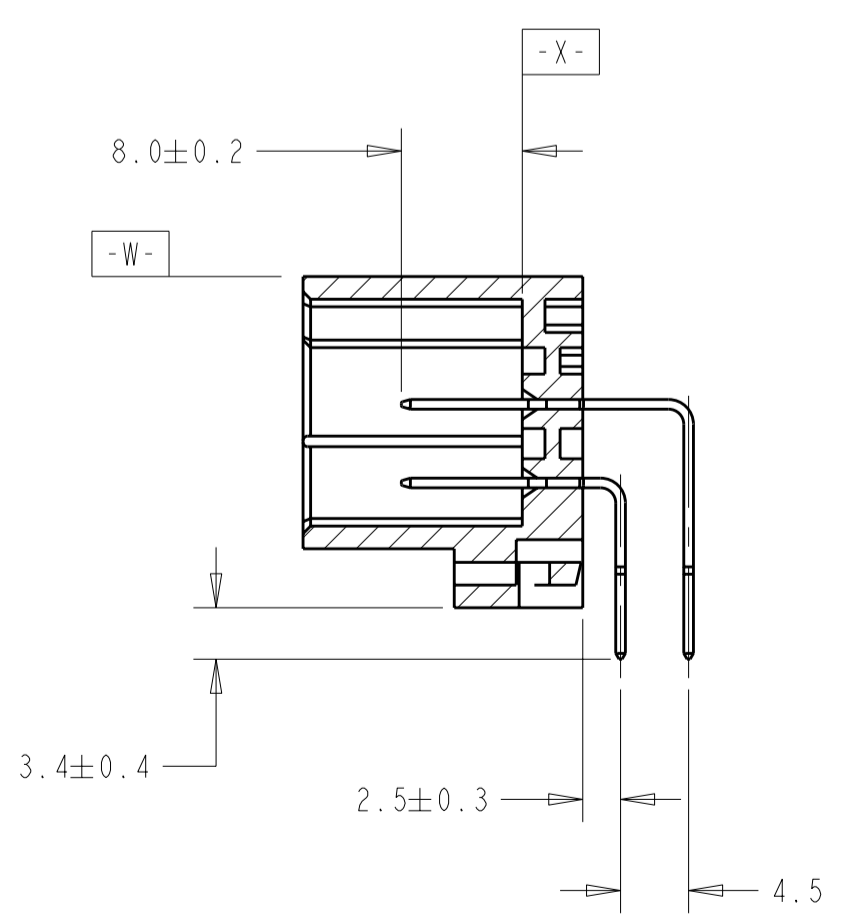
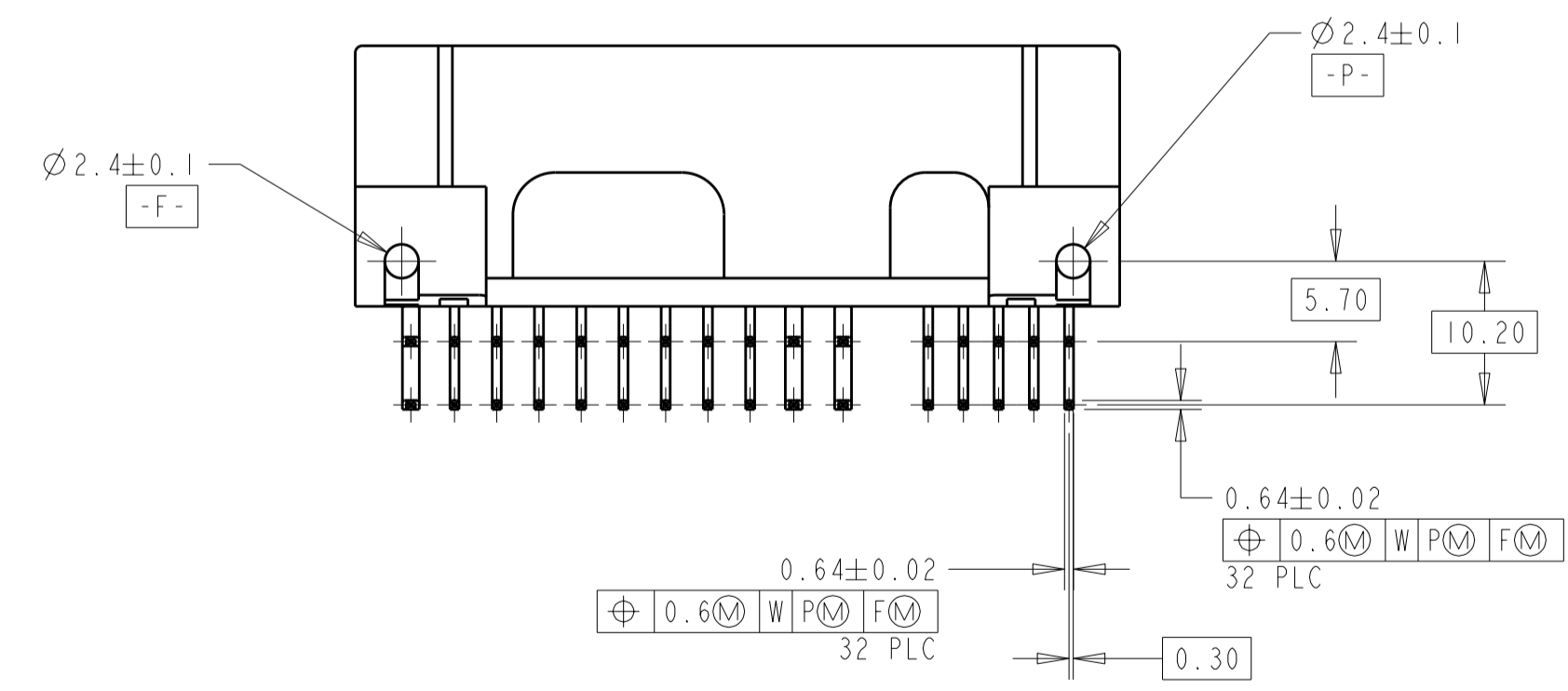
1. DIMENSION MUST BE HELD BETWEEN $-X-$ AND 2.0 FROM $-X-$
2. RECOMMENDED MOUNTING SCREW, 3mm DIA X 6mm LG, PAN HEAD, CLASS 2 TAPPING SCREW AS SPECIFIED IN JIS B1115 AND B1112.
3. DATUMS AND BASIC DIMENSIONS ESTABLISHED BY CUSTOMER.
4. MATING PLUGS: 22 POS 917989-1 THRU -6
10 POS 638207-6
5. DATE CODE



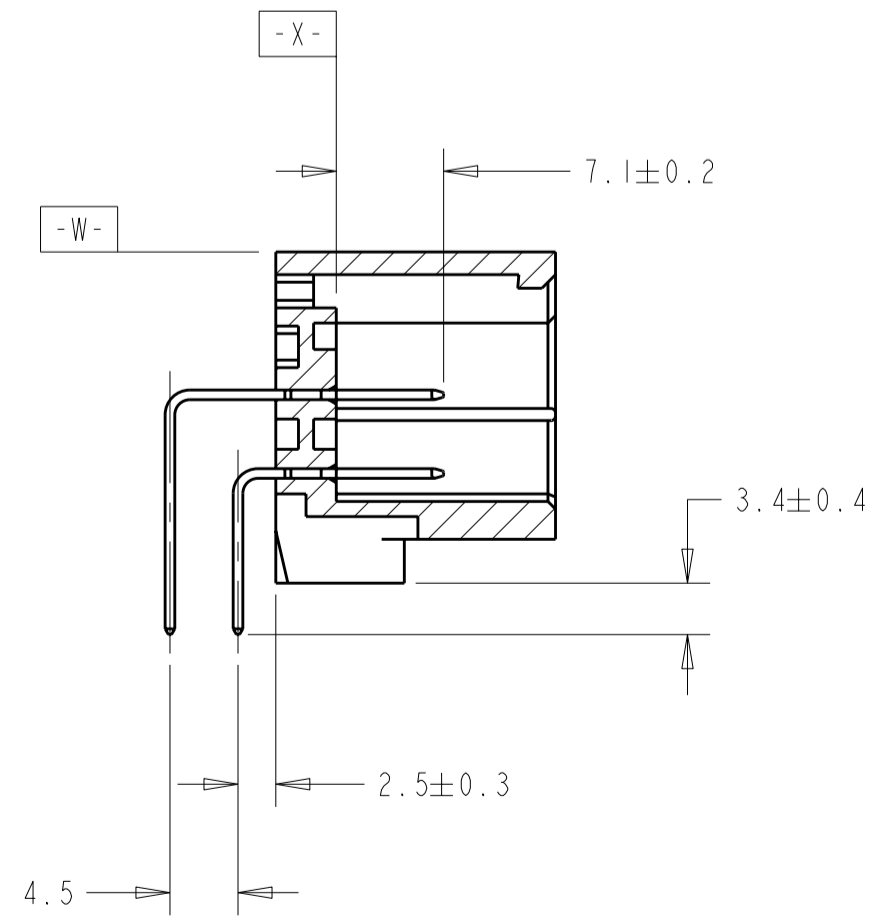
DETAIL D
SCALE 4:1



DETAIL E
SCALE 4:1



SECTION A-A
SCALE 2:1
(.070 TABS)

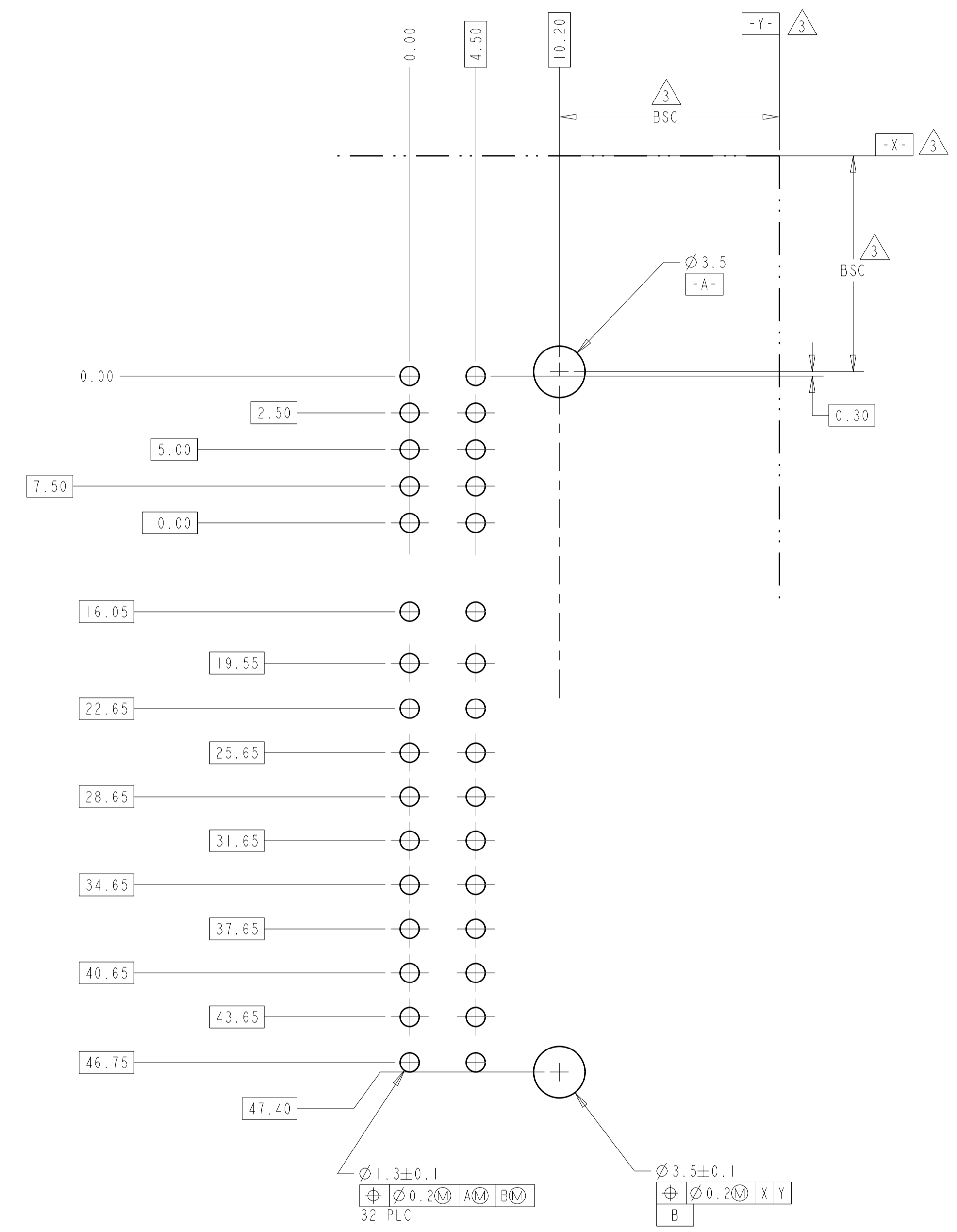


SECTION B-B
SCALE 2:1
(.040 TABS)

THIS AMP PROPRIETARY INFORMATION IS CONFIDENTIAL AND IS DISCLOSED TO YOU ON CONDITION THAT NO FURTHER DISCLOSURE IS MADE BY YOU TO ANYONE OTHER THAN AMP PERSONNEL WITHOUT WRITTEN AUTHORIZATION FROM AMP INCORPORATED, HARRISBURG, PA.

BRASS	TIN OVER NICKEL GOLD OVER NICKEL	PBT	GRAY	2-638211-6
MATERIAL	FINISH	MATERIAL	COLOR	PART NO
CONTACT		HOUSING		
DMN	R. VESTAL	28FEB2005	tyco Tyco Electronics Harrisburg, PA 17105-3608	
CHK	R. COOPER	28FEB2005	NAME	
APVD	R. COOPER	28FEB2005	040/070 32 POSITION CAP ASSEMBLY 11, HORIZONTAL	
DIMENSIONS:		TOLERANCES UNLESS OTHERWISE SPECIFIED:		
mm	0 PLC ±	1 PLC ±0.3	2 PLC ±0.15	3 PLC ±
	4 PLC ±	5 PLC ±	6 PLC ±	ANGLES ±
MATERIAL	SEE TABLE	FINISH	SEE TABLE	WEIGHT
CUSTOMER DRAWING		SIZE	CAGE CODE	DRAWING NO
		A11	00779	638211
		SCALE	2:1	SHEET 1 OF 2
		REV	F	

LOC	DIST	REVISIONS			
P	LTH	DESCRIPTION	DATE	DMN	APVD
-	-	SEE SHEET 1	-	-	-



P.C. BOARD LAYOUT
 SCALE 4:1

<small>THIS DRAWING IS UNPUBLISHED. IT IS THE PROPERTY OF TYCO ELECTRONICS CORPORATION. IT IS TO BE USED ONLY FOR THE PURPOSES AND IN THE MANNER SPECIFIED BY THE DRAWING. IT IS TO BE RETURNED TO TYCO ELECTRONICS CORPORATION IF IT IS NOT TO BE USED FOR THE PURPOSES AND IN THE MANNER SPECIFIED BY THE DRAWING.</small>		DWN R. VESTAL 28FEB2005 CHK R. COOPER 28FEB2005 APVD R. COOPER 28FEB2005	tyco Electronics Tyco Electronics Harrisburg, PA 17105-3608
DIMENSIONS: mm 		TOLERANCES UNLESS OTHERWISE SPECIFIED: 0 PLC ± 1 PLC ±0.3 2 PLC ±0.15 3 PLC ± 4 PLC ± ANGLES ±1°	NAME 040/070 32 POSITION CAP ASSEMBLY 11, HORIZONTAL PRODUCT SPEC - APPLICATION SPEC - SIZE CAGE CODE DRAWING NO RESTRICTED TO A 00779 C=638211 -
MATERIAL - FINISH -		WEIGHT - CUSTOMER DRAWING	SCALE 2:1 SHEET 2 OF 2 REV F