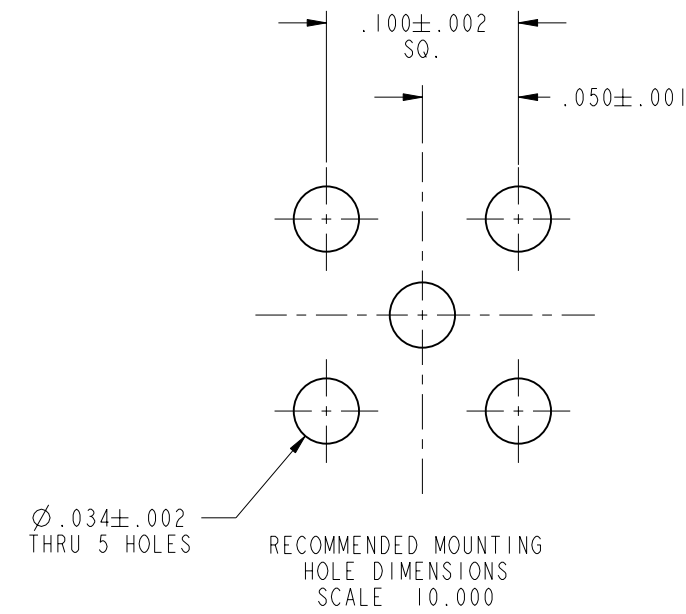
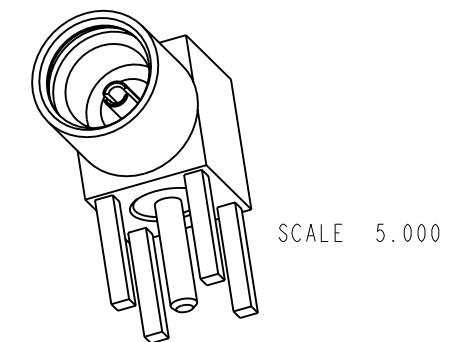
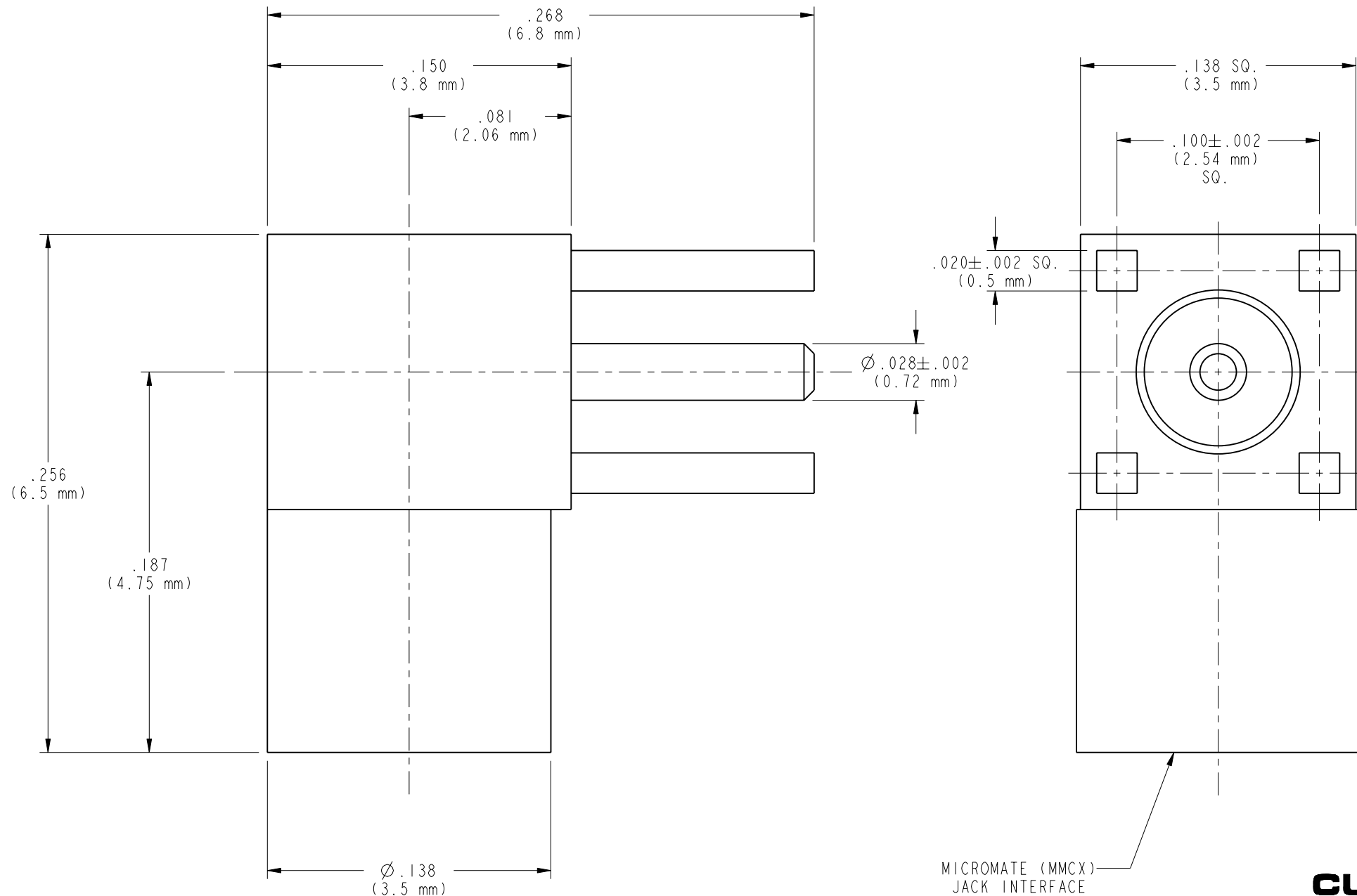


NOTES:

1. MATERIALS AND FINISHES:

- BODIES - BRASS, GOLD PLATED
- CONTACT - BERYLLIUM COPPER, GOLD PLATED
- INSULATORS - TFE FLUOROCARBON

908-24100		REVISIONS			
DRAWING NO.	REV	DESCRIPTION	DATE	ECO	APPR
THIRD ANGLE PROJ.	A	ENGINEERING RELEASE	7/25/97	42082	BCG/
	B	ADD MOUNTING HOLE REF	1/27/06	45895	CPM
	C	MOUNTING HOLES (5) WERE $\varnothing .031$	3/6/06	45920	CPM



MICROMATE (MMCX)
JACK INTERFACE

CUSTOMER OUTLINE DRAWING
ALL OTHER SHEETS ARE FOR INTERNAL USE ONLY

UNLESS OTHERWISE SPECIFIED, DIMENSIONS ARE IN INCHES AND TOLERANCES ARE: 2 PLACE DECIMAL ±.015 (0,381 mm) 3 PLACE DECIMAL ±.005 (0,127 mm) ANGLES ± 1°	MATERIAL	DRAWN B. GLEISSNER	DATE 04-Mar-97	TITLE MICROMATE JACK, RIGHT ANGLE, PCB MOUNT	Amphenol RF Danbury, CT, USA Tainan, Taiwan Shenzhen, China www.amphenolrf.com				
	REFERENCE	ENGINEER B. GLEISSNER	DATE 04-Mar-97						
NOTICE - These drawings, specifications, or other data (1) are, and remain the property of Amphenol Corp. (2) must be returned upon request; and (3) are confidential and not to be disclosed to any person other than those to whom they are given by Amphenol Corp. The furnishing of these drawings, specifications, or other data by Amphenol Corp., or to any other person to anyone for any purpose is not to be regarded by implication or otherwise in any manner licensing, granting rights or permitting such holder or any other person to manufacture, use or sell any product, process or design, patented or otherwise, that may in any way be related to or disclosed by said drawings, specifications, or other data.	EAR 966287-0 615X-1447-100 GEN# ASSYF4_MMCX	APPROVED T. AUBIN	DATE 7/25/97	CODE ID 74868	DWG SIZE B	DRAWING NO. 908-24100	SCALE: 15.0:1	SHEET 2 OF 2	REV C