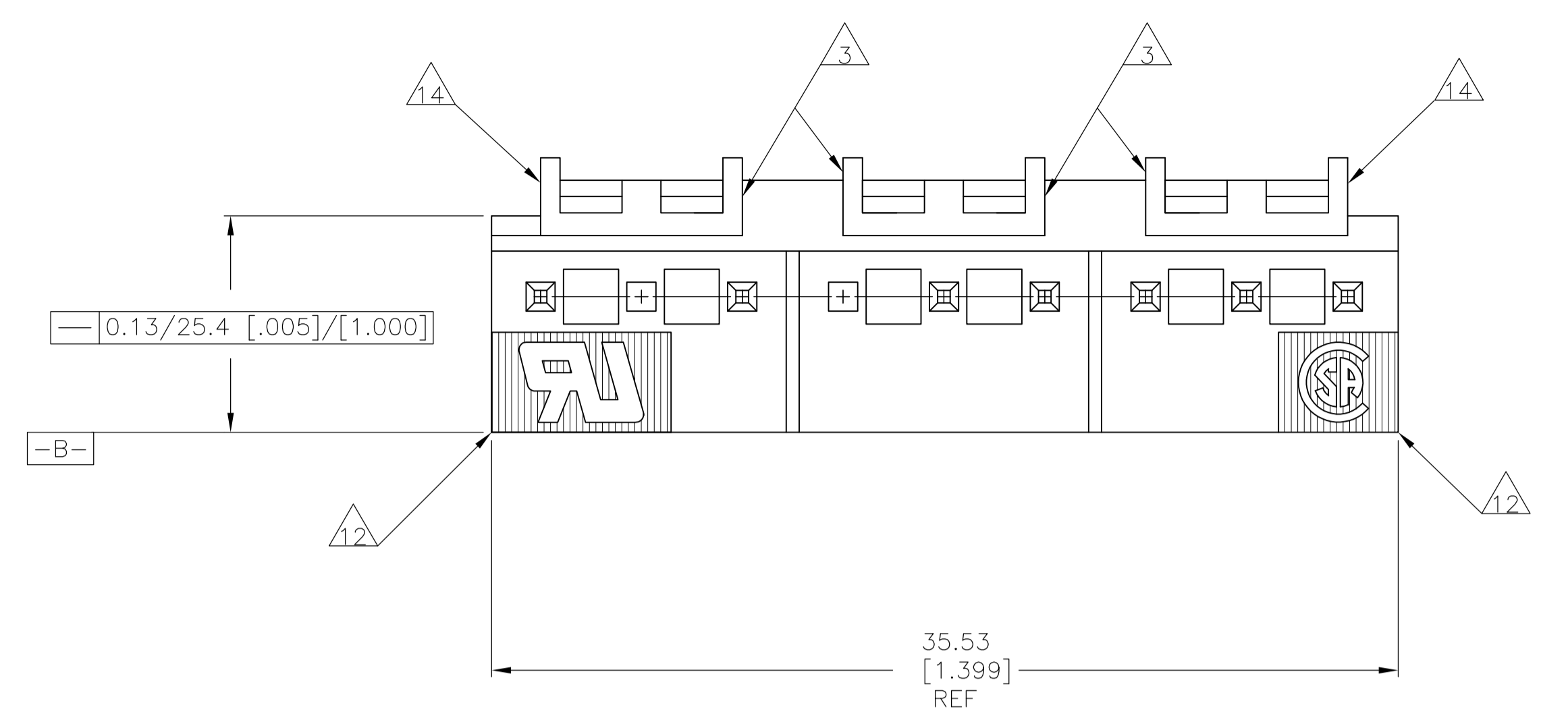
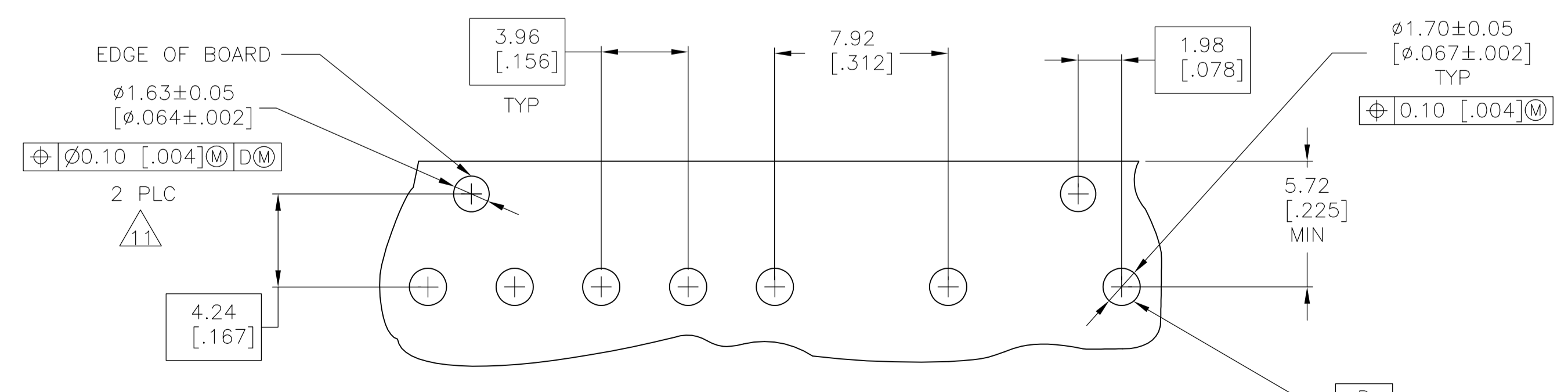
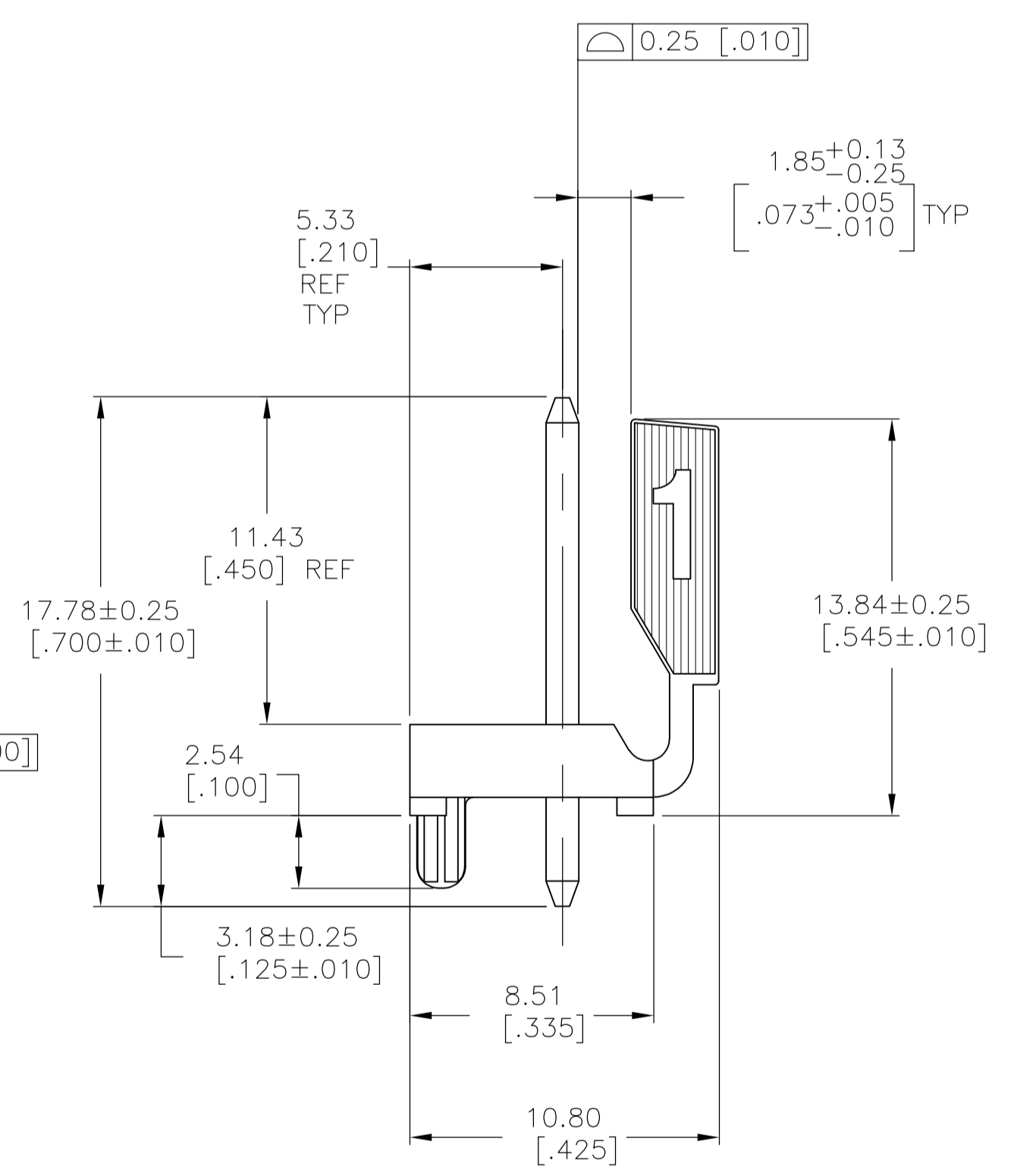
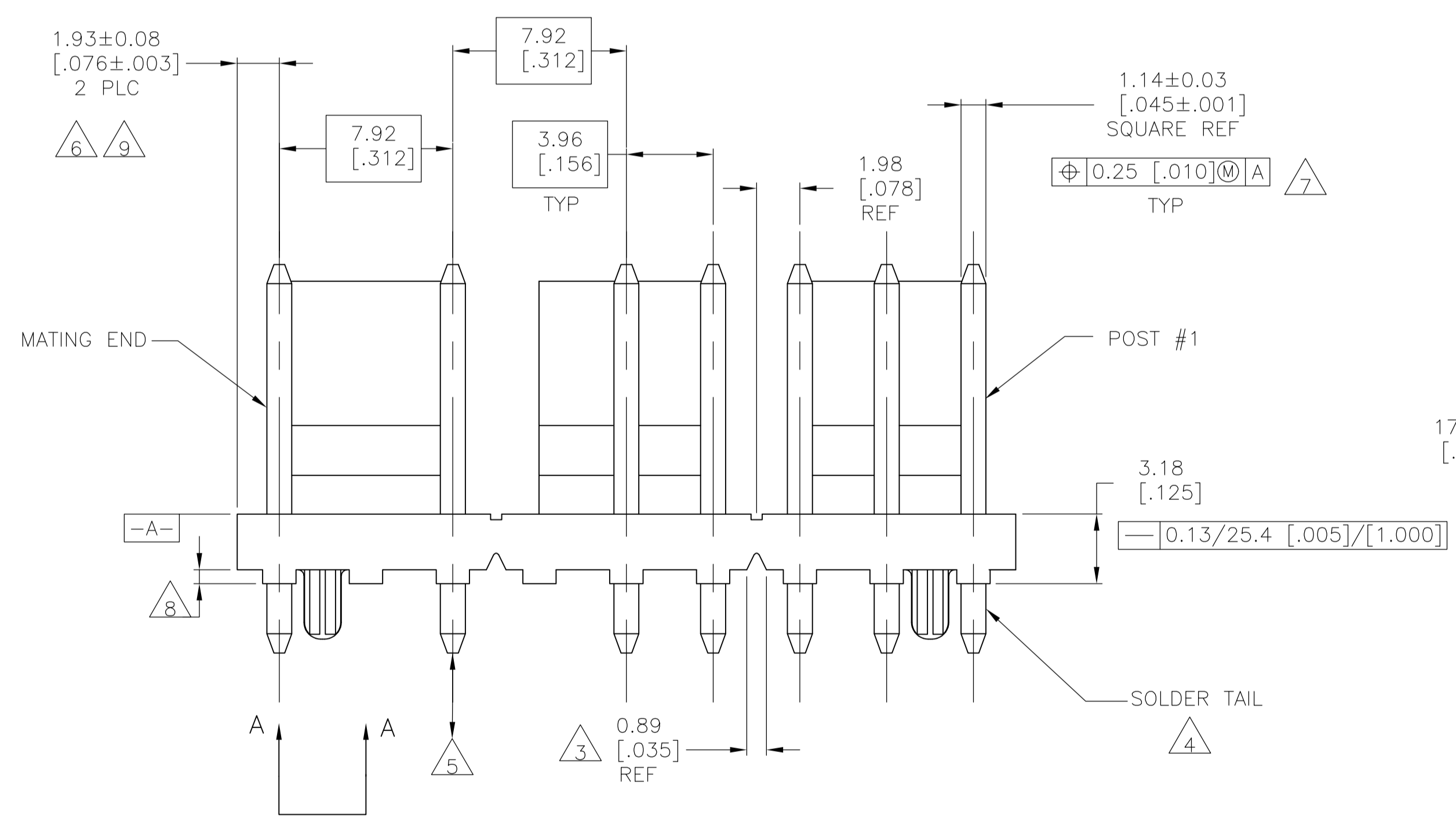


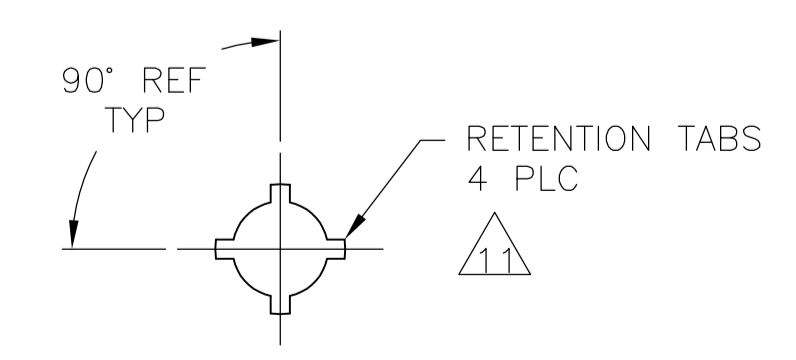
LOC		DIST		REVISIONS			
P	LTR	DESCRIPTION	DATE	DMN	APVD		
A		ECO-08-002027	23JAN2008	KW	DB		



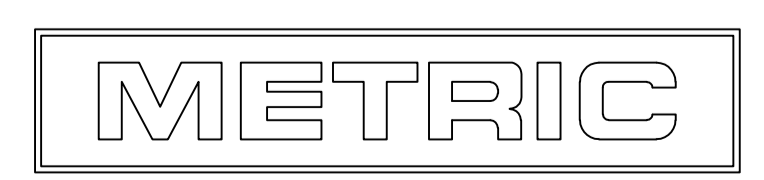
- 1 MATERIAL
 HOUSING: THERMOPLASTIC POLYESTER, GLASS FILLED, UL94V-0.
 POST: COPPER ALLOY
- 2 FINISH
 HOUSING: NATURAL
 POST: MATTE TIN PLATE, .000150" MIN THICK OVER NICKEL.
- 3 NOTCH SHOWN MAY OR MAY NOT APPEAR.
- 4 POST SOLDER TAILS COMPLY WITH AMP SOLDERABILITY SPEC 109-11-2.
- 5 POST WITHSTANDS 13.34N (3 LB) MIN AXIAL FORCE IN EITHER DIRECTION WITHOUT DISLODGING.
- 6 APPLIES AT -A-
- 7 APPLIES WHEN THE HEADER IS STRAIGHT.
- 8 PLASTIC PROJECTIONS PERMITTED IN THIS ZONE.
- 9 COORDINATE DIMENSIONS APPLIES FROM THE CENTER OF THE ACTUAL FEATURE.
- 10 SOLDER SIDE OF BOARD IS SHOWN.
- 11 THE RETENTION TABS PROVIDE A ONE-TIME INTERFERENCE FIT IN THE 1.63[.064] DIAMETER BOARD HOLE FOR HEADER ASSEMBLY RETENTION DURING SOLDERING. FOUR TABS PER PEG, TWO PEGS PER HEADER ASSEMBLY.
- 12 UL MARKING MAY NOT APPEAR ON THE 2 OR 3 POSITION SIZES. CSA MARKING MAY NOT APPEAR ON THE 2 POSITION SIZE.
- 13. DIMENSIONS IN BRACKETS ARE IN INCHES.
- 14 EDGE OF POLARIZING LOCK WALL TO BE IN LINE WITH CENTERLINE OF ADJACENT POST WITHIN ±0.13 [.005].



RECOMMENDED MOUNTING HOLE PATTERN FOR 1.57[.062] THICK P.C. BOARD 10
 2 PLC (END HOLES ONLY)



VIEW A-A SCALE 10:1



2	6 & 8	9	3-1744319-9
FINISH	POST NO OMITTED	NO. OF CIRCUITS	PART NUMBER

THIS DRAWING IS A CONTROLLED DOCUMENT.		DIN K WHITAKER 23JAN2008		Tyco Electronics Corporation	
DIMENSIONS: mm [INCHES]		CHK D BOSSI 23JAN2008		Harrisburg, Pa 17105-3608	
TOLERANCES UNLESS OTHERWISE SPECIFIED:		APVD D BOSSI 23JAN2008		NAME	
0 PLC	± -	PRODUCT SPEC		MTA-156 HEADER ASSEMBLY, POLARIZED LOCK, STRAIGHT .045 SQUARE POST, TIN PLATED W/RETENTION PEGS, OMITTED POSTS	
1 PLC	± -	APPLICATION SPEC		SIZE CAGE CODE DRAWING NO	
2 PLC	± -	WEIGHT		A1 00779 C=1744319	
3 PLC	± -	CUSTOMER DRAWING		SCALE 5:1 SHEET 1 OF 1 REV A	
4 PLC	± -				
ANGLES	± -				