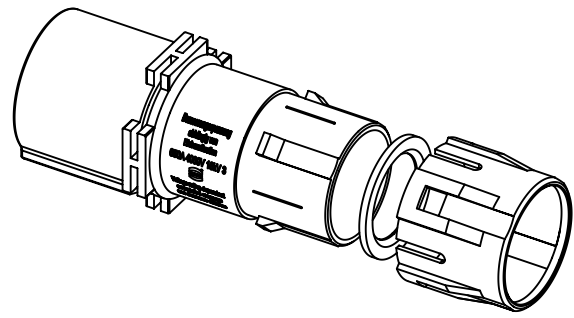
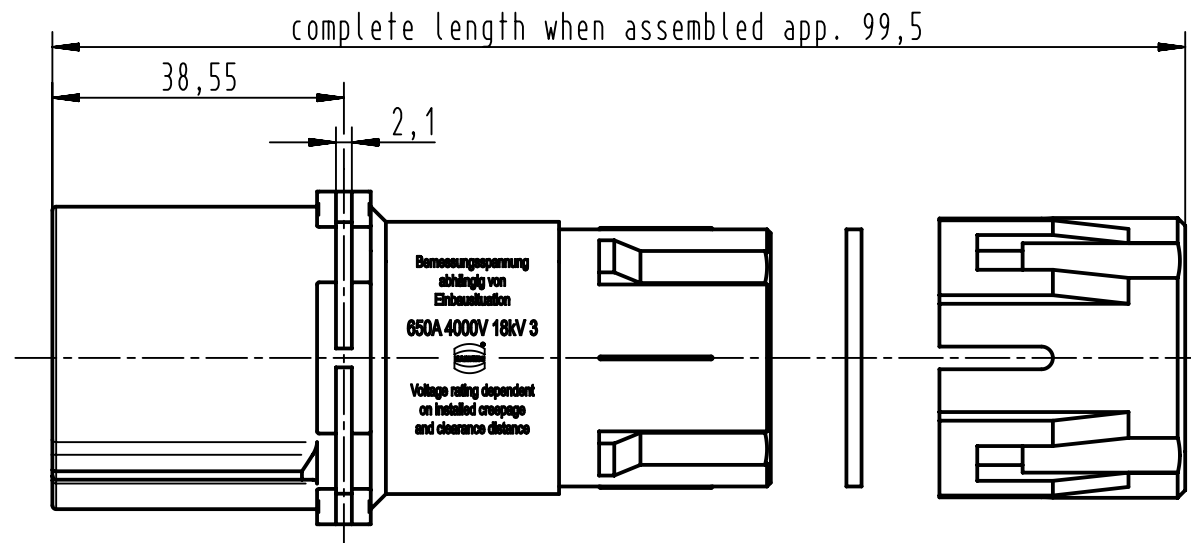
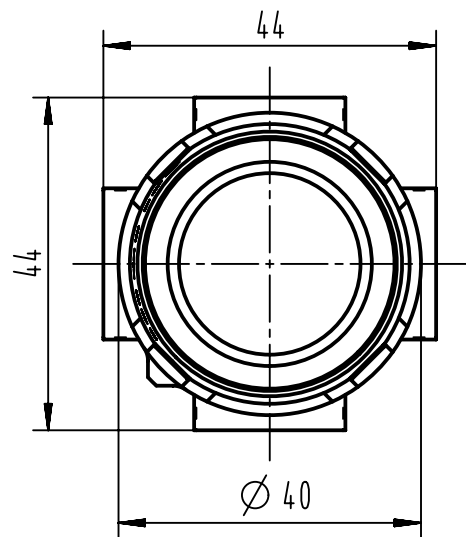



A

B

C

D



	All rights reserved Department EL PD - DE	All Dimensions in mm Original Size DIN A4			Scale 1:1	Free size tol.	Ref.
		HARTING Electric GmbH & Co. KG D-32339 Espelkamp	Created by GRUBES	Inspected by BEISCHER	Standardisation SCHMIDTM	Date 2012-11-16	State Final Release
Title Han 1HC-M-TC650							Doc-Key / ECM-Nr. 100172973/UGD/004/C
Type TB					Number 09 11 001 3011		Rev. C
							Page 1/1