

AMPAMP INCORPORATED
Harrisburg, Pa. 17105AMP ★ RELEASE TOOL 91251-1
FOR
AMPLIMITE ★ CASSETTES

Instruction Sheet

IS 6809

RELEASED 7-26-83

REDUCED FOR PACKAGING

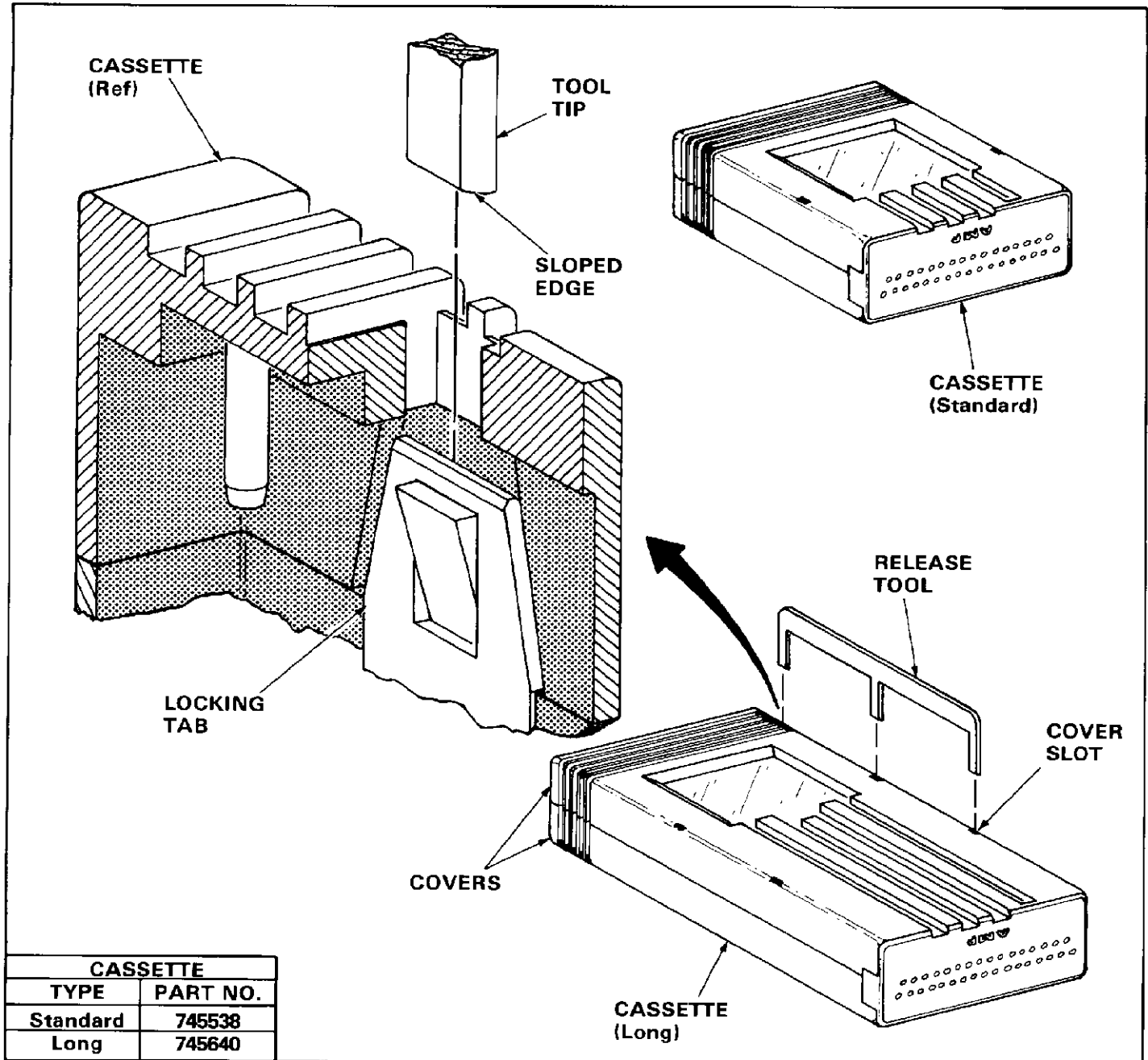


Fig. 1

1. INTRODUCTION

This instruction sheet (IS) covers the AMP Release Tool 91251-1 which is used with AMPLIMITE Cassettes listed in Figure 1. Read these instructions carefully before using the tool.

NOTE

All dimensions on this instruction sheet are in inches.

2. DESCRIPTION (Figure 1)

The release tool features three tool tips which are used to release the two cassette covers. The tool tips, when inserted into the cover slots, release the locking tabs to allow the two cassette covers to be separated.

3. RELEASING PROCEDURES (Figure 1)

1. Align release tool with cover slots so that

Copyright 1983 by AMP Incorporated, Harrisburg, PA. All International Rights Reserved. AMP Incorporated products covered by U.S. and Foreign patents and/or patents pending.

sloped edge of tool tips is facing towards center of cassette.

2. Insert tool until tool bottoms in cover slots.
3. Pull two covers apart, and remove release tool from cover.

4. TOOL CERTIFICATION

AMP Release Tool 91251-1 should be certified with

the information provided in Figure 2. We recommend that you inspect the tool immediately upon its arrival in your factory, and at regularly scheduled intervals to ensure that the tool has not been damaged.

Additional tools can be purchased from:

AMP Incorporated
 Eisenhower Boulevard
 Harrisburg, PA 17105

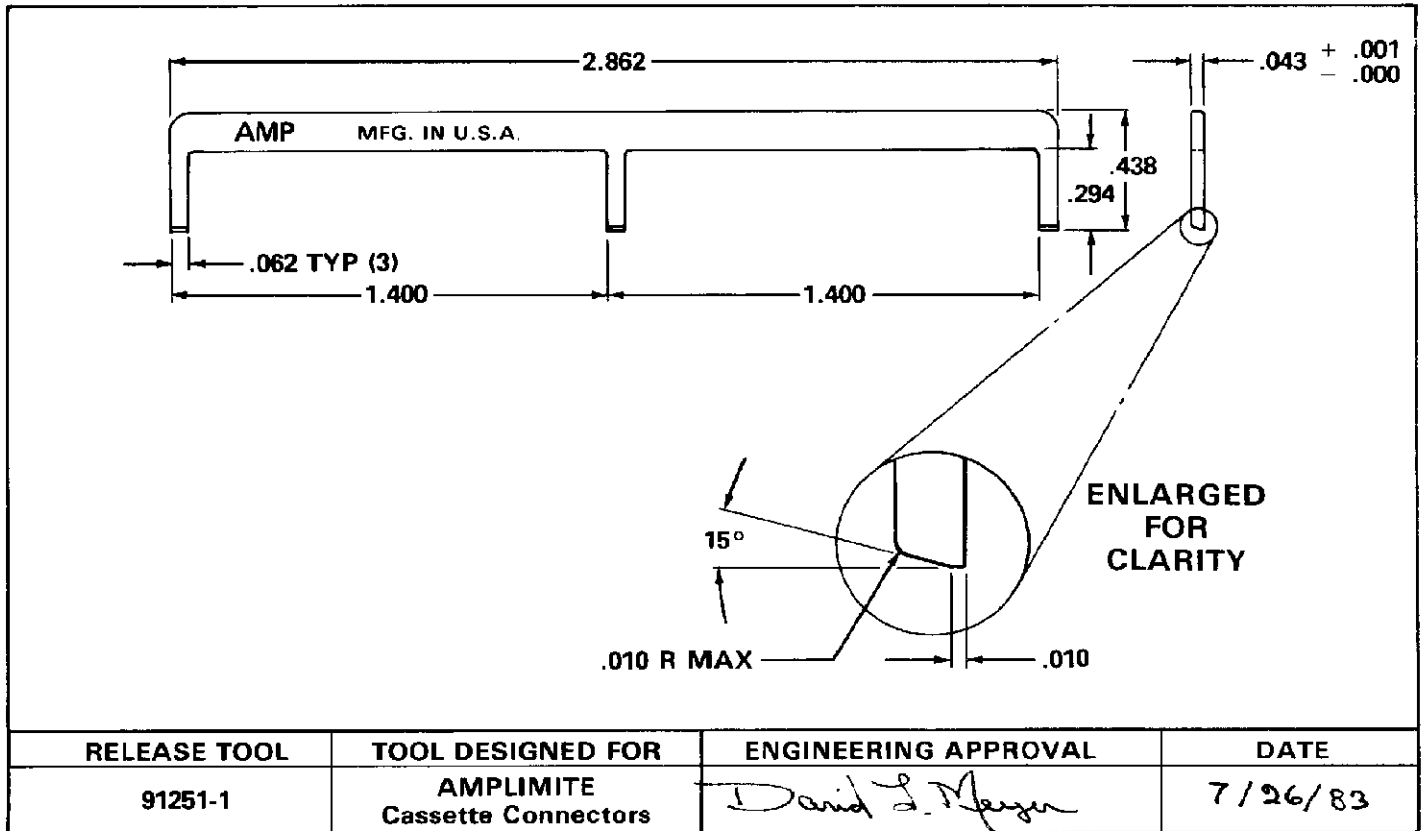


Fig. 2