

Subminiature Fuse, 10 x 10 mm, 125 VAC, 125 VDC



UL 248-14 · 125 VAC · 125 VDC · Quick-Acting F



Description

- Low Breaking Capacity

Standards

- UL 248-14
- CSA C22.2 no. 248.14

Approvals

- UL File Number: E42088

References

Corresponding Fuseholder [231651](#)
Last order date: 30.06.2014

Weblinks

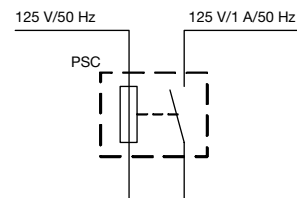
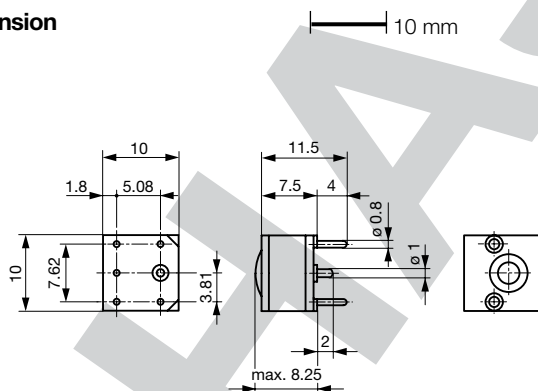
[pdf datasheet](#), [html-datasheet](#), [General Product Information](#), [Packaging details](#), [Approvals](#), [CE declaration of conformity](#), [RoHS](#), [CHINA-RoHS](#), [REACH](#), [Distributor-Stock-Check](#), [Detailed request for product](#)

Technical Data

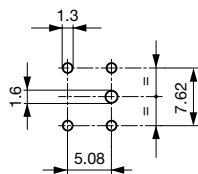
Rated Voltage	125 VAC, 125 VDC	Soldering Methods	Iron, Iron
Rated current	1 - 5 A		Soldering Profile
Breaking Capacity	50 A	Solderability	235 °C / 2 sec acc. to IEC 60068-2-20, Test Ta, method 1
Characteristic	Quick-Acting F	Resistance to Soldering Heat	260 °C / 5 sec acc. to IEC 60068-2-20, Test Tb, method 1A
Mounting	PCB, Through hole mounting		
Admissible Ambient Air Temp.	-55 °C to 125 °C		
Climatic Category	55/125/56 acc. to IEC 60068-1		
Unit Weight	2 g		
Storage Conditions	0 °C to 60 °C, max. 70% r.h.		
Product Marking	Type, Rated current, Circuits		

Detailed information on product approvals, code requirements, usage instructions and detailed test conditions can be looked up in [General Product Information](#)

Dimension



The PSC has a colour indication which facilitates a rapid localisation of the fault



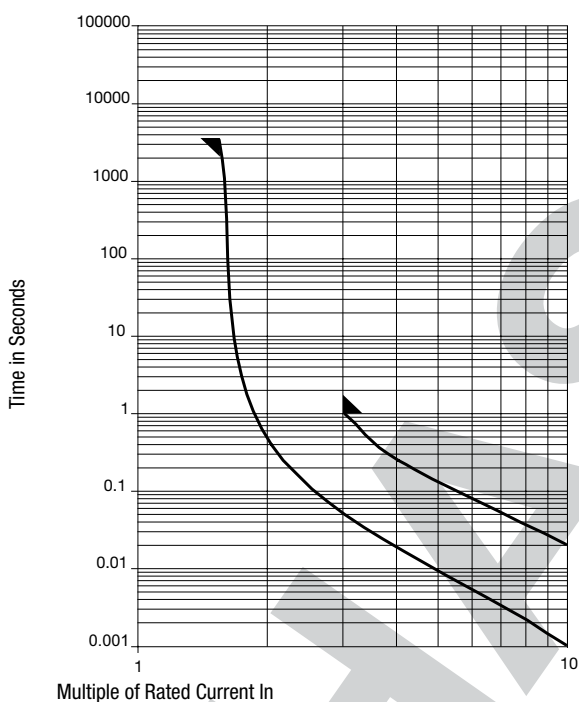
Drilling diagram

Pre-Arcing Time

Rated Current I_n 1.5 x I_n min. 3.0 x I_n max.

1 A - 5 A	60 min	1 s
-----------	--------	-----

Time-Current-Curves



All Variants

Rated Current [A]	Rated Voltage [VAC]	Rated Voltage [VDC]	Breaking Capacity	Voltage Drop 1.0 I_n typ. [mV]	Order Number
1	125	125	1)	100	● 7100.0160.71
2	125	125	1)	80	● 7100.0170.71
3	125	125	1)	70	● 7100.0180.71
4	125	125	1)	70	● 7100.0190.71
5	125	125	1)	70	● 7100.0200.71

Availability for all products can be searched real-time: <http://www.schurter.com/en/Stock-Check/Stock-Check-SCHURTER>

Rated Current [A]	Rated Voltage [VAC]	Rated Voltage [VDC]	Breaking Capacity	Voltage Drop 1.0 In typ. [mV]	Order Number
-------------------	---------------------	---------------------	-------------------	-------------------------------------	--------------



1) 50 A @ 125 VAC/DC

Packaging Unit .xx = .71 Magazine (10 pcs.)