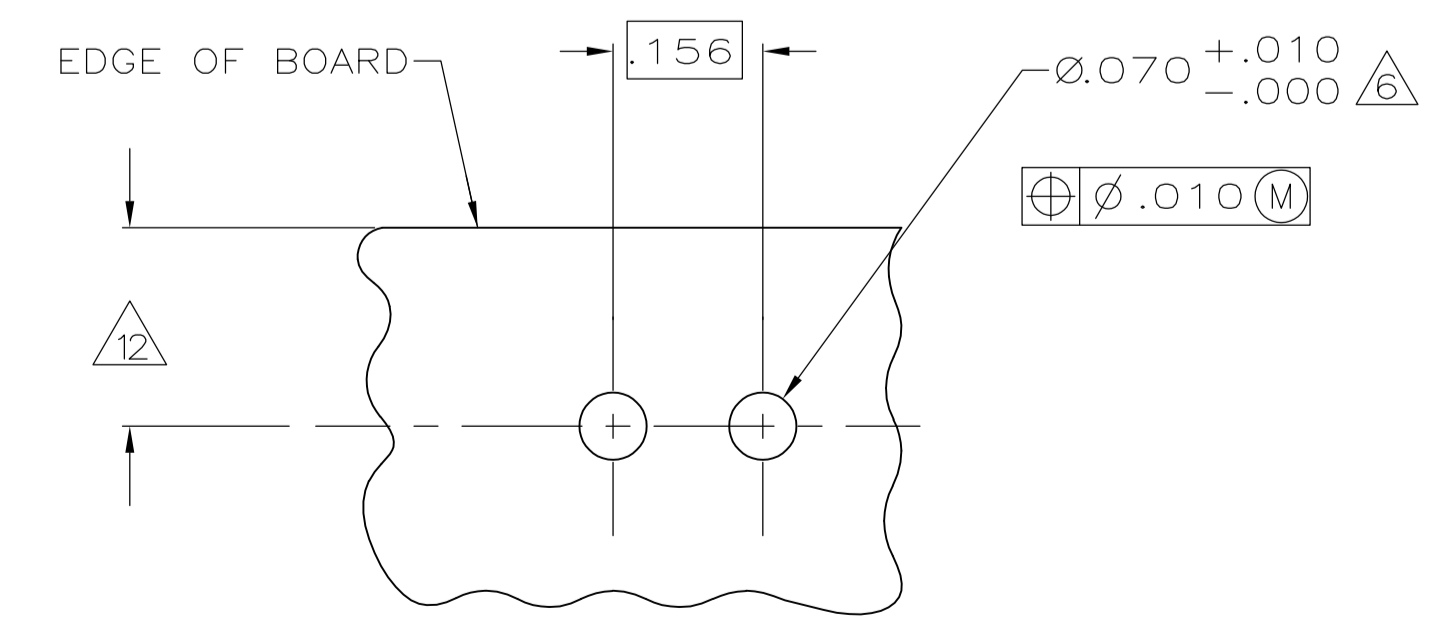
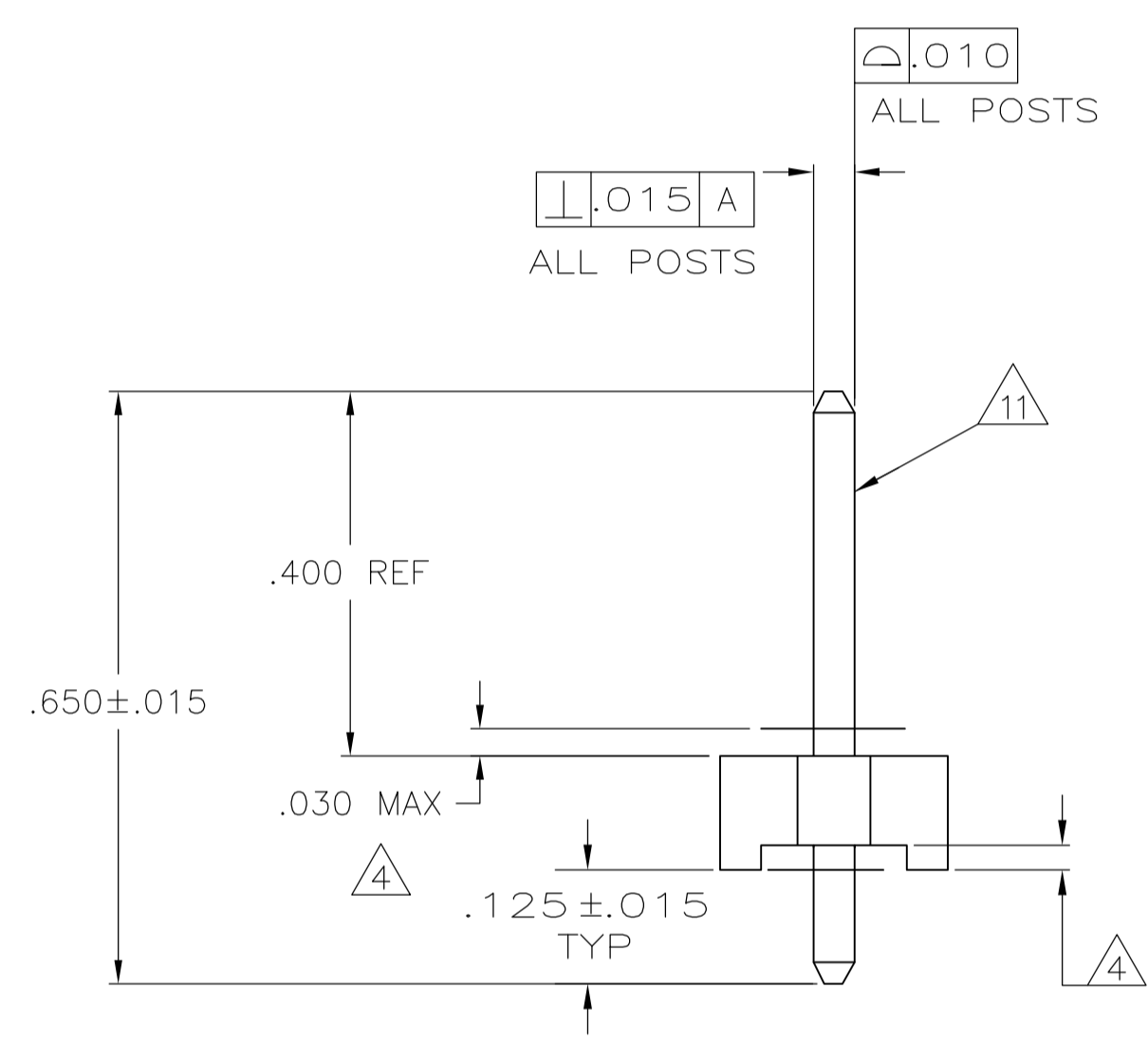
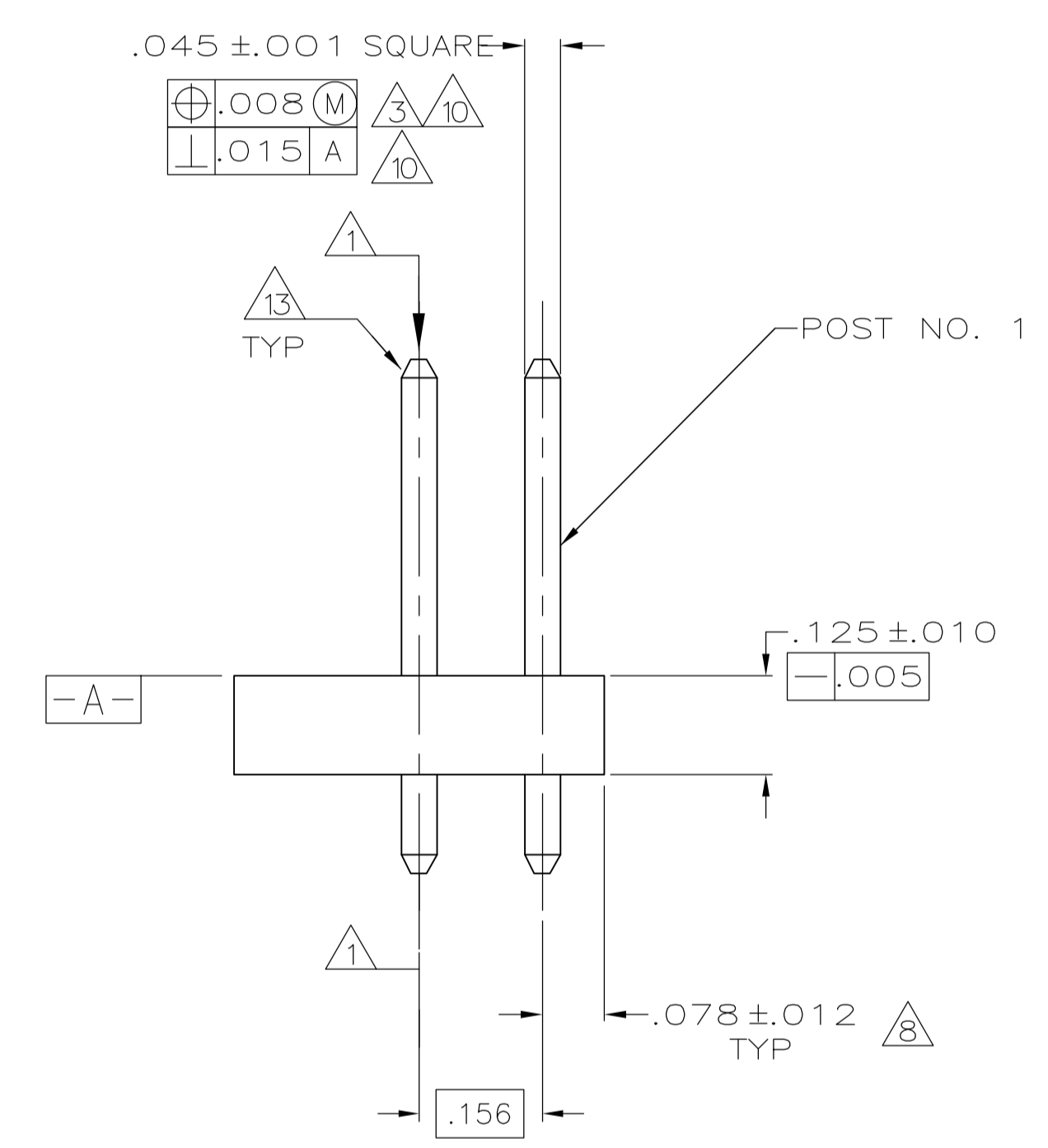
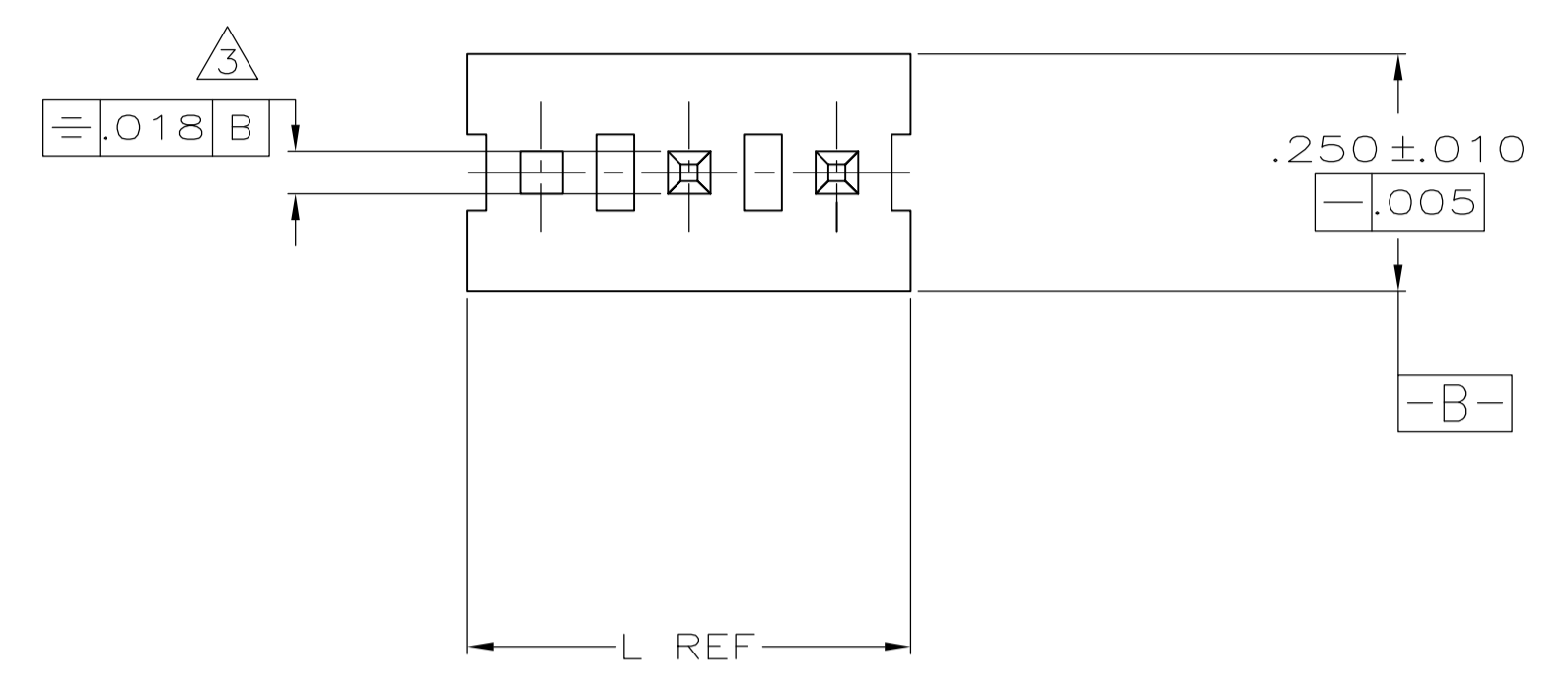


LOC	DIST	REVISIONS				
CM	0	REV	DESCRIPTION	DATE	BY	APPV
		D	REVISED PER ECO-12-016930	05OCT12	KH	SM



RECOMMENDED MOUNTING HOLE PATTERN FOR .063 THICK P.C. BOARD

- 1 POST TO WITHSTAND 13 NEWTONS (3LBS.) MIN. AXIAL FORCE IN BOTH DIRECTIONS SHOWN WITHOUT DISLODGING.
- 2 TOLERANCES APPLY TO SOLDER SIDE OF BOARD.
- 3 MEASURED AT SURFACE $\overline{-A-}$
- 4 PLASTIC FLASH PERMITTED IN THIS AREA.
- 5 PARTS COMPLY WITH AMP SOLDERABILITY SPEC. NO. 109-11-2.
- 6 ONE HOLE MAY BE UNDERSIZED (.065/.060 DIA.) FOR ASSEMBLY RETENTION DURING WAVE SOLDERING.
- 7 MATERIAL: HEADER-THERMOPLASTIC POLYESTER GLASS-FILLED 94V-0(NATURAL) POST-COPPER ALLOY (TIN PLATED)
- 8 COORDINATE DIMENSION APPLIES FROM CENTER OF ACTUAL FEATURE.
- 9 PLASTIC BURRS CAUSED BY CUT-OFF TOOLING ARE PERMITTED WITHIN THE MAXIMUM TOLERANCE ENVELOPE.
- 10 POST TO BE MEASURED WHEN STRIP IS HELD FLAT.
- 11 POST MUST WITHSTAND TWO 90° BENDS AGAINST EXTRUSION WITHOUT BREAKING.
- 12 DIMENSION SHOULD BE .140 MIN WHEN MATING WITH A MTA-156 CONNECTOR ASSEMBLY OR A SL-156 CONNECTOR ASSEMBLY.
- 13 PIN BURR OF .005 MAX. VERTICAL AND .003 MAX. HORIZONTAL PERMITTED AT POST TIPS ON BOTH ENDS.

IN	MM	IN	MM
.045	1.14	-	-
.030	0.76	.700	17.78
.018	0.46	.450	11.43
.015	0.38	.250	6.35
.012	0.30	.156	3.96
.010	0.25	.140	3.56
.008	0.20	.125	3.18
.005	0.13	.078	1.98
.004	0.10	.070	1.78
.003	0.08	.065	1.65
.001	0.03	.063	1.60
.000	0.00	.060	1.52
IN	MM	IN	MM

CONVERSION TABLE

POST NO.(S) OMITTED	IN	MM	NUMBER OF POSITIONS	PART NUMBER
2	.468	11.89	3	647290-2
3	.468	11.89	3	647290-1

THIS DRAWING IS A CONTROLLED DOCUMENT.

DIMENSIONS: INCHES	TOLERANCES UNLESS OTHERWISE SPECIFIED:	0 PLC ± -	1 PLC ± -	2 PLC ± -	3 PLC ± .005	4 PLC ± -	ANGLES ± 0°30'
--------------------	--	-----------	-----------	-----------	--------------	-----------	----------------

DIN 9-29-98 B. LEWIS CHK 9-29-98 R. SWING C. JONES 9-29-98 NAME PRODUCT SPEC APPLICATION SPEC WEIGHT CUSTOMER DRAWING	9-29-98 9-29-98 9-29-98 MTA-156 HEADER ASSEMBLY, PLAIN, .045 SQUARE STRAIGHT POST, TIN-POST, 3 POSITION, OMITTED POST SIZE A1 CAGE CODE 00779 DRAWING NO. 647290 SCALE 5:1	9-29-98 R. SWING C. JONES NAME MTA-156 HEADER ASSEMBLY, PLAIN, .045 SQUARE STRAIGHT POST, TIN-POST, 3 POSITION, OMITTED POST DRAWING NO. 647290 SHEET 1 OF 1 REV D
--	---	---

STE TE Connectivity