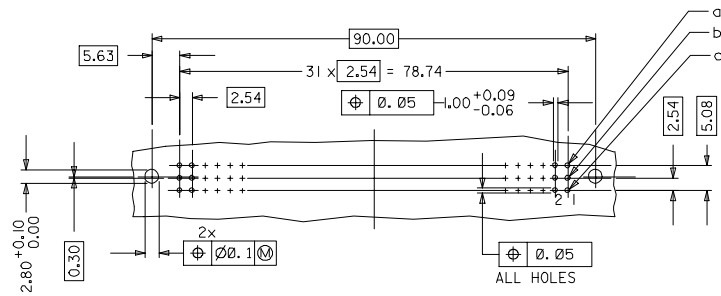
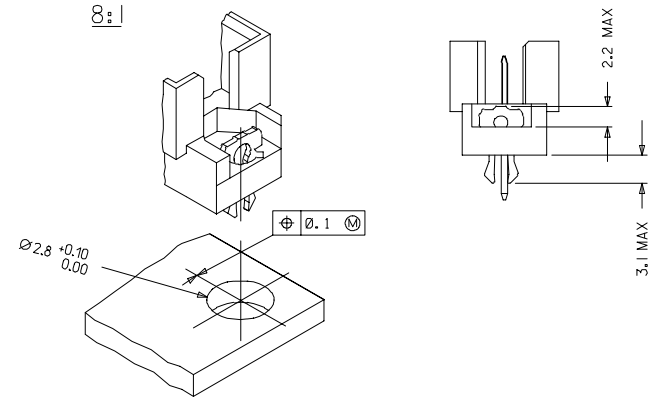


RECOMMENDED PCB LAYOUT
COMPONENT SIDE



WITH MOUNTING CLIPS



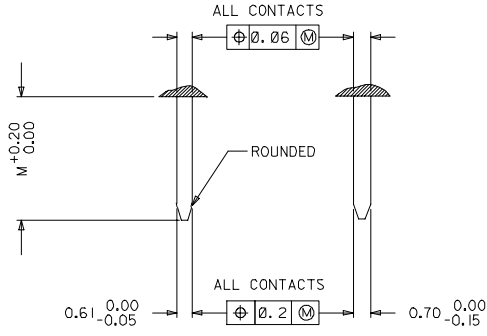
- NOTES:
- MATERIALS: THERMOPLASTIC POLYESTER, GLASS FILLED, UL94-V0
COLOUR: PEBBLE GREY RAL 7032
TERMINAL - PHOSPHOR BRONZE
MOUNTING CLIP: STEEL
 - FINISH: TERMINAL:-
CONTACT AREA :
I. PERFORMANCE LEVEL 2: SELECTIVE GOLD (AU), THICKNESS = 0.6 MICROMETER
OVER NICKEL, THICKNESS = 1.25 MICROMETER MIN
PRESS-IN AREA :
AU FLASH, OVER NICKEL, THICKNESS = 1.25 MICROMETER MN OVERALL
WIRE WRAP AREA :
I. PERFORMANCE LEVEL 2: SELECTIVE GOLD (AU), THICKNESS = 0.6 MICROMETER
OVER NICKEL, THICKNESS = 1.25 MICROMETER MIN
 - MOUNTING CLIP:-
TIN (Sn), THICKNESS = 5-10 MICROMETER,
OVER NICKEL (Ni), THICKNESS = 2.5 MICROMETER
 - FOR NON MOUNTING CLIP OPTION, CONNECTOR TO BE SECURED WITH
RIVETS: 2 TUBULAR RIVETS 2.5 x 0.3 ... DIN 7340
SCREWS: 2 CHEESEHEAD SCREWS M2.5 x ... DIN 84 AND 2 HEXAGONAL NUTS M2.5 DIN 934
 - MATERIAL NUMBER, BATCH CODE, UL AND CSA MARKING
TO BE PRINTED ON THE CONNECTOR
 - CUT FACES OF TIP WITHOUT PLATING IS PERMITTED
 - PRODUCT SPECIFICATION PS : 36515-001

RoHS COMPLIANT

EC No: 2007-0044 DRWSATTI/MAR/D 2006/10/10 CHK/SS/SUB/IR 2006/10/10 APPR/SS/SUB/IR 2006/10/10	QUALITY SYMBOLS ▽=0 ▽=0	GENERAL TOLERANCES (UNLESS SPECIFIED)		DIMENSION STYLE MM ONLY		SCALE 2:1	DESIGN UNITS METRIC	THIRD ANGLE PROJECTION
		4 PLACES ± --- ± --- 3 PLACES ± 0.05 ± --- 2 PLACES ± 0.1 ± --- 1 PLACE ± 0.15 ± ---	INCH ± --- ± --- ± --- ± ---	DRAWN BY NS	DATE 2001/07/30	CHECKED BY GJLOWE	DATE 2001/07/30	ASSEMBLY, DIN 41612 R MALE, 96 POS PRESS-IN, WIRE WRAP
C1	DESCRIPTION DRAFT WHERE APPLICABLE MUST REMAIN WITHIN DIMENSIONS	ANGULAR ± 2°		APPROVED BY GJLOWE	DATE 2001/07/30	MOLEX INCORPORATED		
		MATERIAL NO. SEE CHART		DOCUMENT NO. SD-36515-026		SHEET NO. 1 OF 2		
THIS DRAWING CONTAINS INFORMATION THAT IS PROPRIETARY TO MOLEX INCORPORATED AND SHOULD NOT BE USED WITHOUT WRITTEN PERMISSION								

MATERIAL No.	PERF LEVEL	FINISH		CONTACT SEQUENCE/ROW	DIM "L" MM	MOUNTING CLIP	FMLB
36515-0487	2	CONTACT AREA	TERMINATION AREA	a1-13, a15-27, a29-32, b1-32, c1-32	13.25	NO	a14, a28
		Au + Ni	Au + Ni				

DETAILY DETAILX



PRE MATING CONTACTS	5.4
NORMAL CONTACTS	4.8
	M

RoHS COMPLIANT

EC No: 2007-0044 DRAWING AUTHOR: 2006/10/10 CHECKED BY: 2006/10/11 APPROVED BY: 2006/10/16	QUALITY SYMBOLS	GENERAL TOLERANCES (UNLESS SPECIFIED)	DIMENSION STYLE	SCALE	DESIGN UNITS	THIRD ANGLE PROJECTION															
	$\nabla=0$ $\nabla=0$	<table border="1"> <tr> <th></th> <th>mm</th> <th>INCH</th> </tr> <tr> <td>4 PLACES</td> <td>± 0.15</td> <td>± 0.006</td> </tr> <tr> <td>3 PLACES</td> <td>± 0.05</td> <td>± 0.002</td> </tr> <tr> <td>2 PLACES</td> <td>± 0.1</td> <td>± 0.004</td> </tr> <tr> <td>1 PLACE</td> <td>± 0.15</td> <td>± 0.006</td> </tr> </table>		mm	INCH	4 PLACES	± 0.15	± 0.006	3 PLACES	± 0.05	± 0.002	2 PLACES	± 0.1	± 0.004	1 PLACE	± 0.15	± 0.006	MM ONLY	2:1	METRIC	
		mm	INCH																		
	4 PLACES	± 0.15	± 0.006																		
3 PLACES	± 0.05	± 0.002																			
2 PLACES	± 0.1	± 0.004																			
1 PLACE	± 0.15	± 0.006																			
DESCRIPTION	DRAWN BY: NS	DATE: 2001/07/30	TITLE	ASSEMBLY, DIN 41612 R MALE, 96 POS PRESS-IN, WIRE WRAP																	
REV	<table border="1"> <tr> <td>C1</td> <td>DESCRIPTION</td> <td>DATE</td> </tr> </table>	C1	DESCRIPTION	DATE	CHECKED BY: G.J. LOWE	DATE: 2001/07/30	APPROVED BY: G.J. LOWE	DATE: 2001/07/30													
C1	DESCRIPTION	DATE																			
	DRAFT WHERE APPLICABLE MUST REMAIN WITHIN DIMENSIONS	ANGULAR $\pm 2^\circ$	MATERIAL NO. SEE CHART	DOCUMENT NO. SD-36515-026	SHEET NO. 2 OF 2																
			THIS DRAWING CONTAINS INFORMATION THAT IS PROPRIETARY TO MOLEX INCORPORATED AND SHOULD NOT BE USED WITHOUT WRITTEN PERMISSION																		