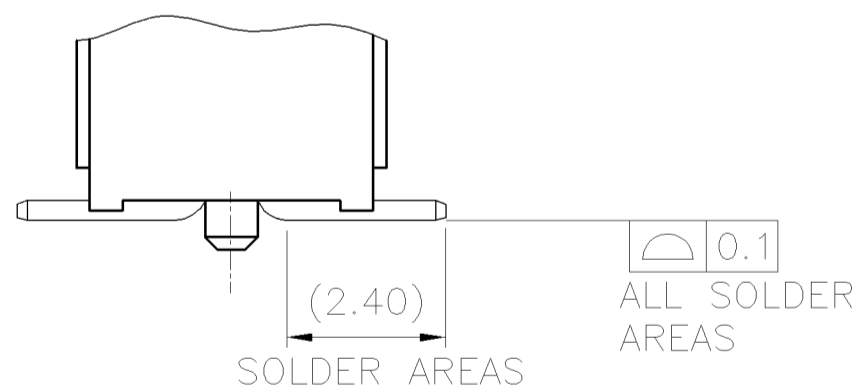
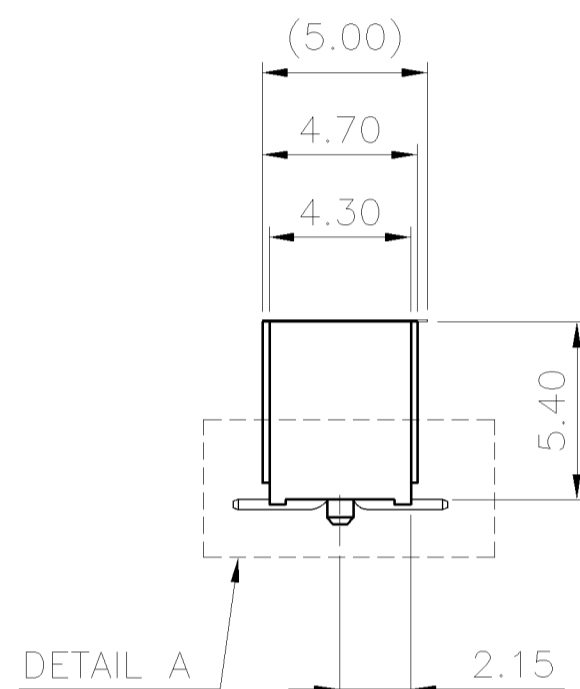
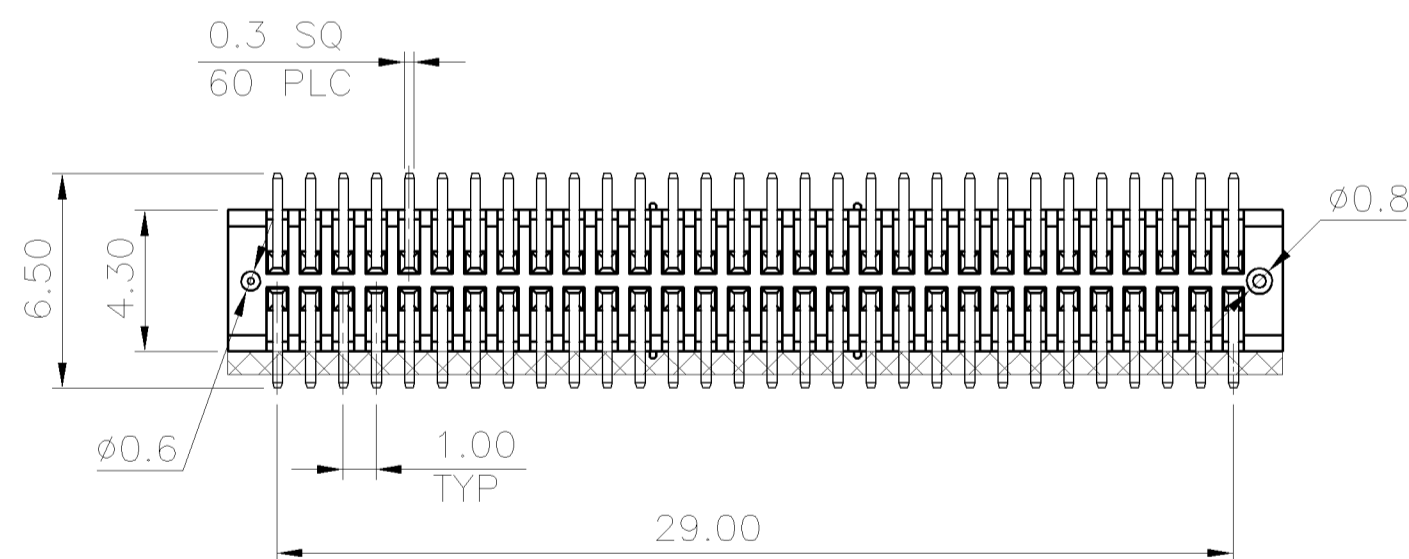
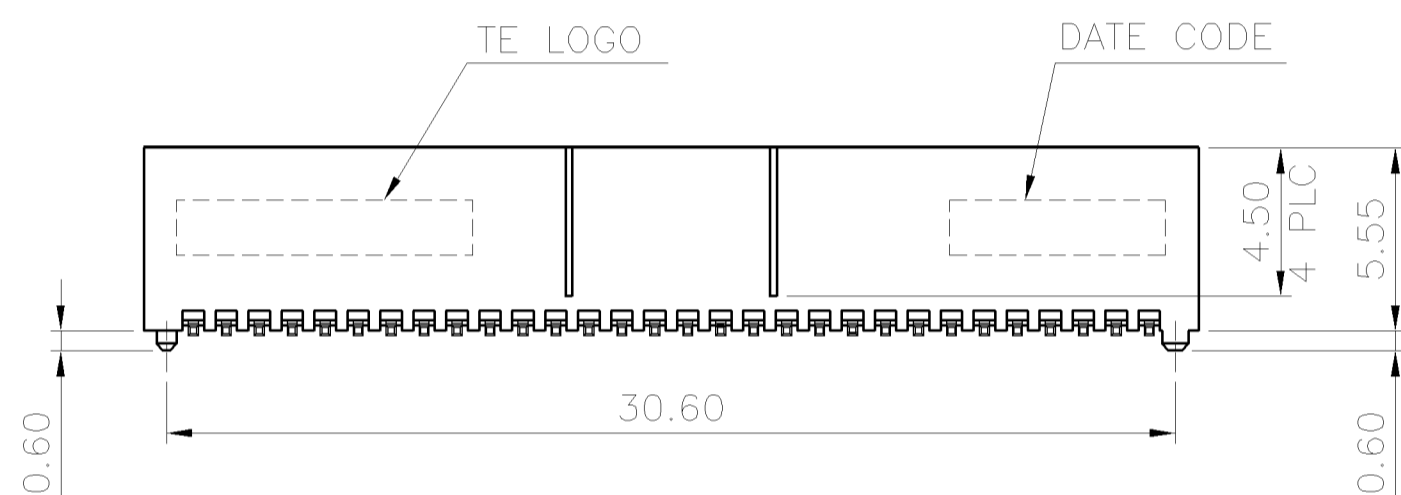
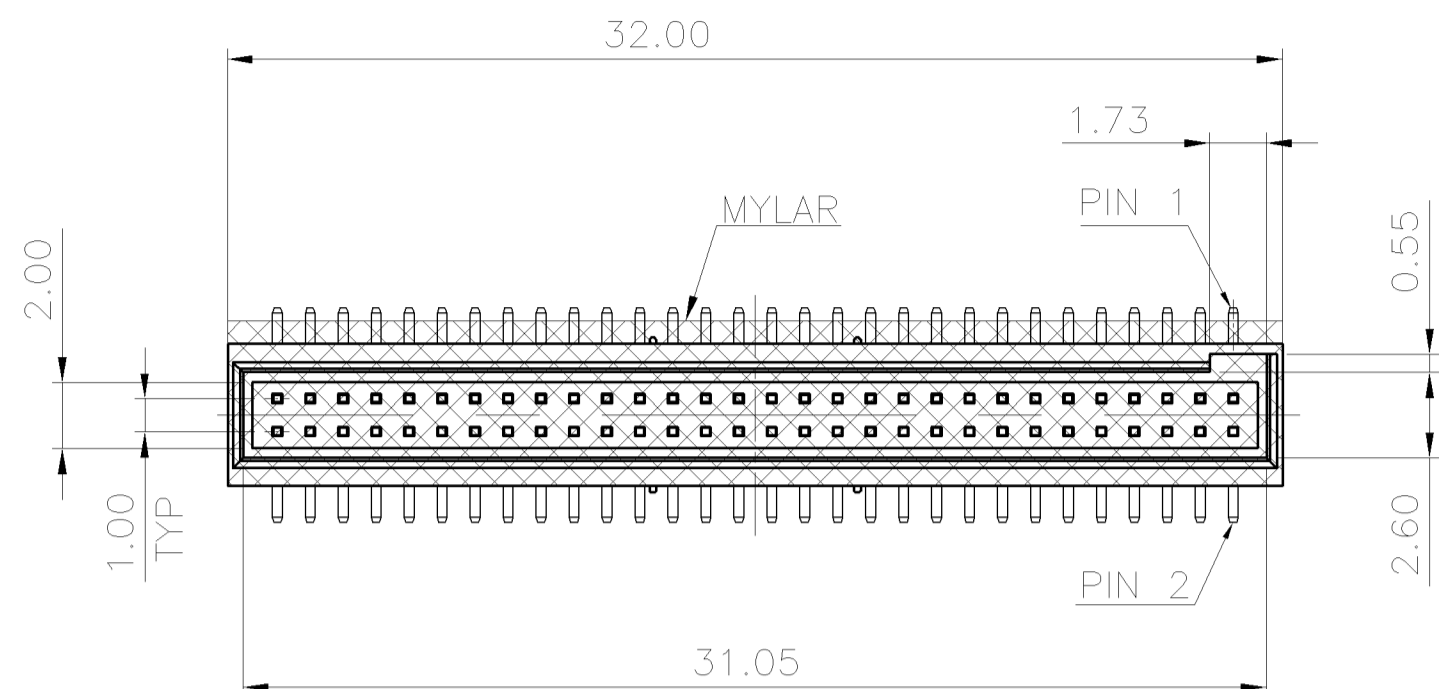


THIS DRAWING IS UNPUBLISHED. RELEASED FOR PUBLICATION
 © COPYRIGHT BY TYCO ELECTRONICS CORPORATION. ALL RIGHTS RESERVED.

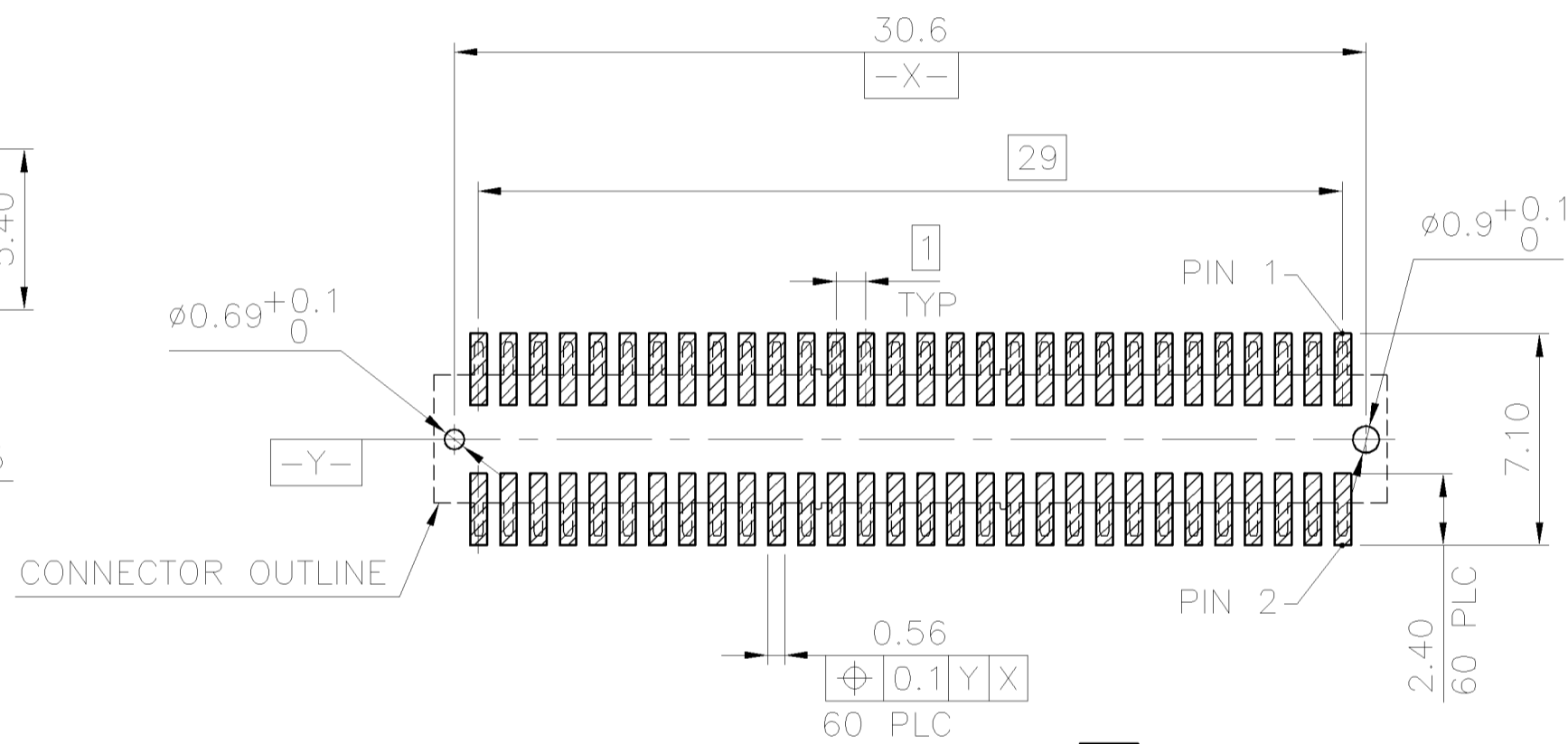
LOC		DIST		REVISIONS					
DW				P	LTR	DESCRIPTION	DATE	DWN	APVD
				A		RELEASED	04SEP08	AW	WK

NOTE:

- MATERIAL:
HOUSING: PA9T WITH 33% GF, UL 94V-0, BLACK COLOR.
CONTACTS: BRASS.
MYLAR: PI.
- FINISH:
CONTACTS: GOLD FLASH OVER 1.27μm [50μ"] MIN. NICKEL ON ENTIRE CONTACT.
- PART NUMBER OF MATING RECEPTACLE: 1775731-1.
- REFLOW SOLDER CAPABLE TO 260°C PER TE TEST SPEC. 109-201, CONDITION B.



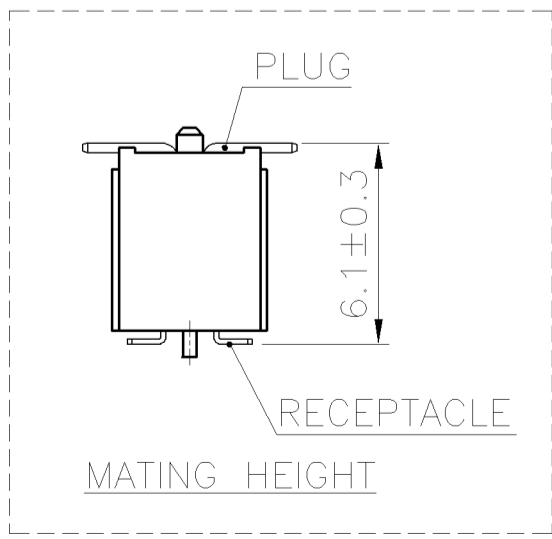
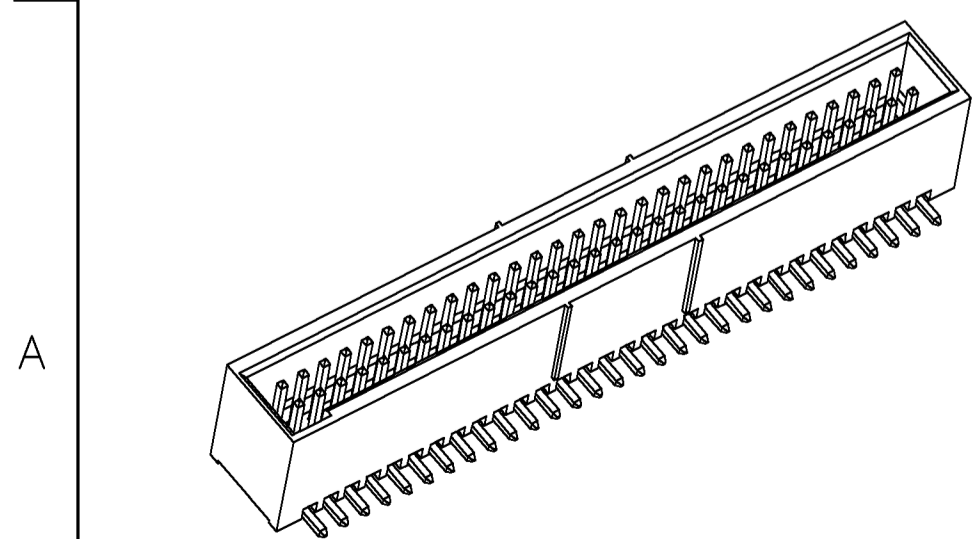
DETAIL A
SCALE 2:1



TOLERANCE: ±0.05, THICKNESS: 1.2mm
RECOMMENDED PCB LAYOUT
 (TOP VIEW)

SOLDER AREAS

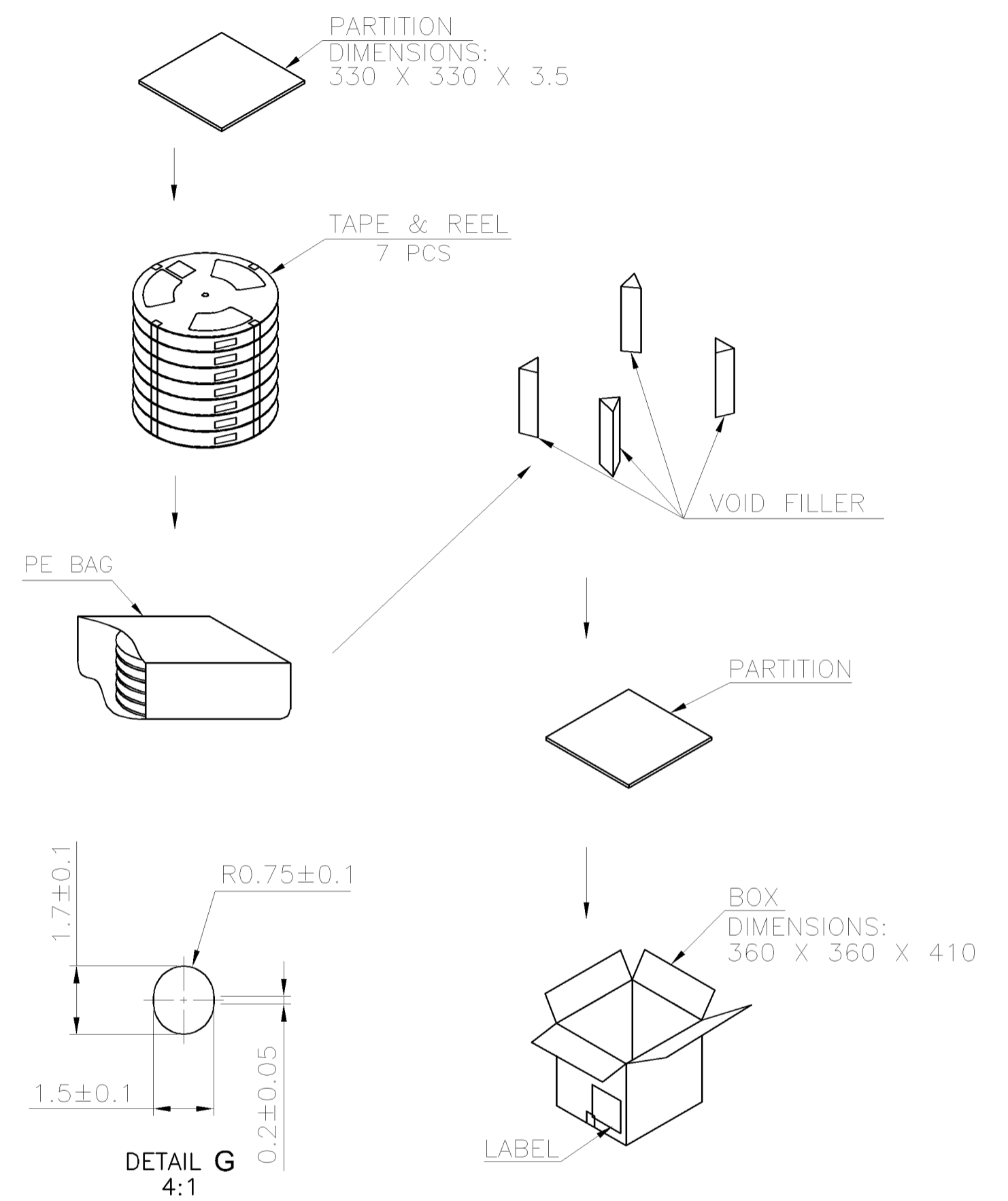
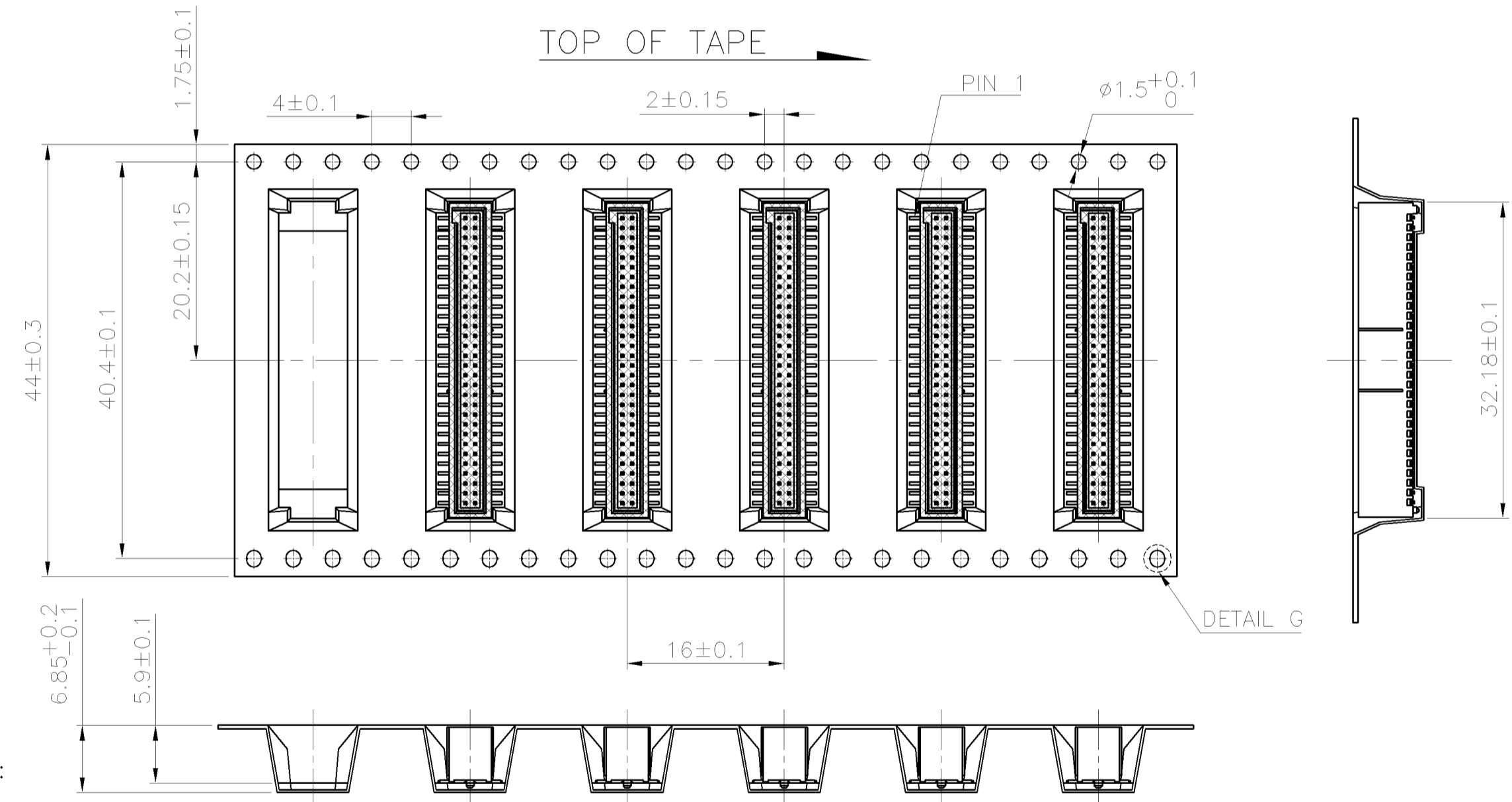
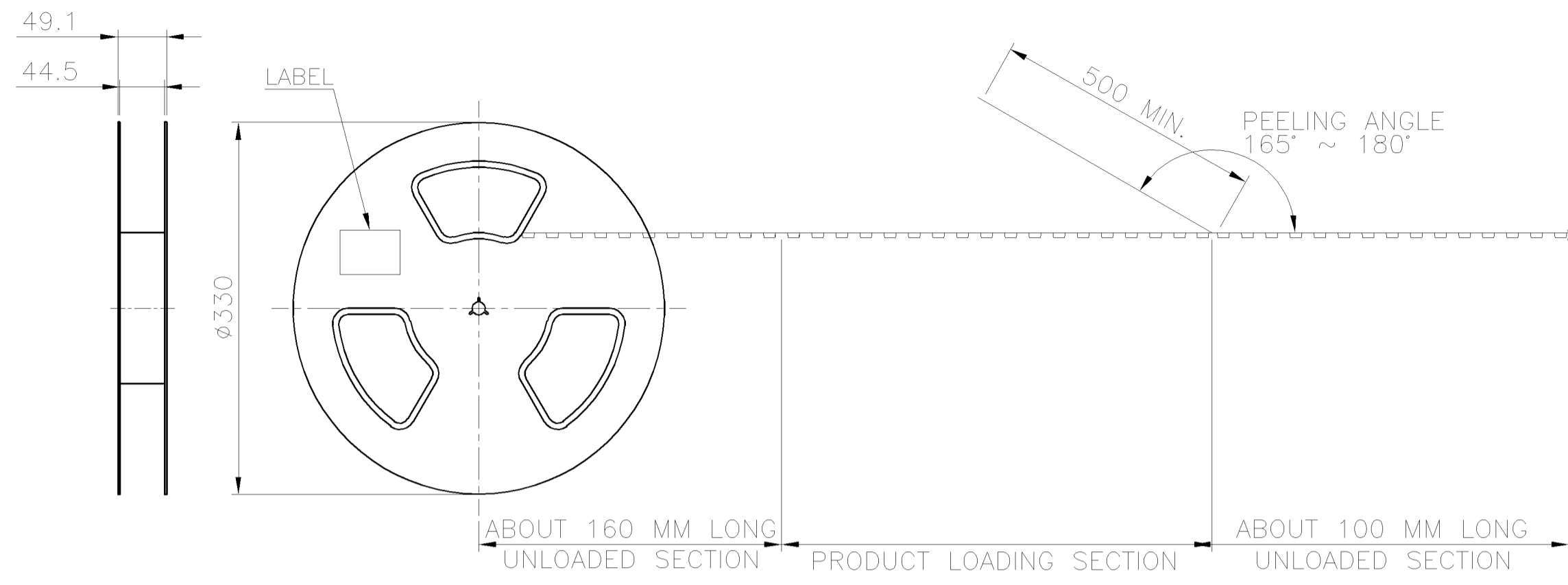
1775730-1
 PART NUMBER



THIS DRAWING IS A CONTROLLED DOCUMENT.		DWN A. WU	04SEP2008	Tyco Electronics Corporation Taipei, Taiwan	
DIMENSIONS: MM		CHK S. CHIEN	04SEP2008	NAME	
TOLERANCES UNLESS OTHERWISE SPECIFIED:		APVD W. KODAMA	04SEP2008	108-57708	
0 PLC ± -		PRODUCT SPEC		APPLICATION SPEC	
1 PLC ± 0.3		108-57708		SIZE	
2 PLC ± 0.25		APPLICATION SPEC		CAGE CODE	
3 PLC ± 0.2		-		DRAWING NO	
4 PLC ± -		-		RESTRICTED TO	
ANGLES ± 3°		WEIGHT 0.98 GRAMS		A300779	
MATERIAL SEE NOTE		FINISH SEE NOTE		C=1775730	
CUSTOMER DRAWING		SCALE -		SHEET 1 OF 2	
				REV A	

THIS DRAWING IS UNPUBLISHED. RELEASED FOR PUBLICATION
 © COPYRIGHT BY TYCO ELECTRONICS CORPORATION. ALL RIGHTS RESERVED.

LOC	DIST	REVISIONS					
DW	—	P	LTR	DESCRIPTION	DATE	DWN	APVD
				SEE SHEET 1.			



- NOTE:
- MATERIAL:
 BOX: FIBREBOARD, CORRUGATED, DOUBLE WALL.
 TAPE: POLYSTYRENES, HEAT-RESISTANT TEMPERATURE: 120°C, BLACK COLOR.
 REEL: POLYSTYRENES, HEAT-RESISTANT TEMPERATURE: 70°C, BLUE COLOR.
 BAG: POLYETHYLENE, HEAT-RESISTANT TEMPERATURE: 100°C.
 - PEELING STRENGTH: 0.1 ~ 1.3 N (10 ~ 130 GRAMS)
 - PEELING SPEED: 300 mm/min.
 - EACH BAG SHALL BE INCLUDED: DESICCANT.

600	7	4200 PCS	9.39 KG	4.12 KG
PCS/TAPE	REELS/BOX	QUANTITY	GROSS WEIGHT	NET WEIGHT

THIS DRAWING IS A CONTROLLED DOCUMENT.		DWN	A. WU	04SEP2008	Tyco Electronics Corporation Taipei, Taiwan			
		CHK	S. CHIEN	04SEP2008				
		APVD	W. KODAMA	04SEP2008				
		PRODUCT SPEC						
		APPLICATION SPEC			NAME			
		WEIGHT			1.0 PITCH BOX HEADER, TWO-ROW, 60 POSITION, SMT, 6.1 MATING HEIGHT, PLUG			
		CUSTOMER DRAWING	SIZE	A3	CAGE CODE	00779		
			DRAWING NO	G-1775730		RESTRICTED TO	—	
			SCALE	—	SHEET	2 OF 2	REV	A