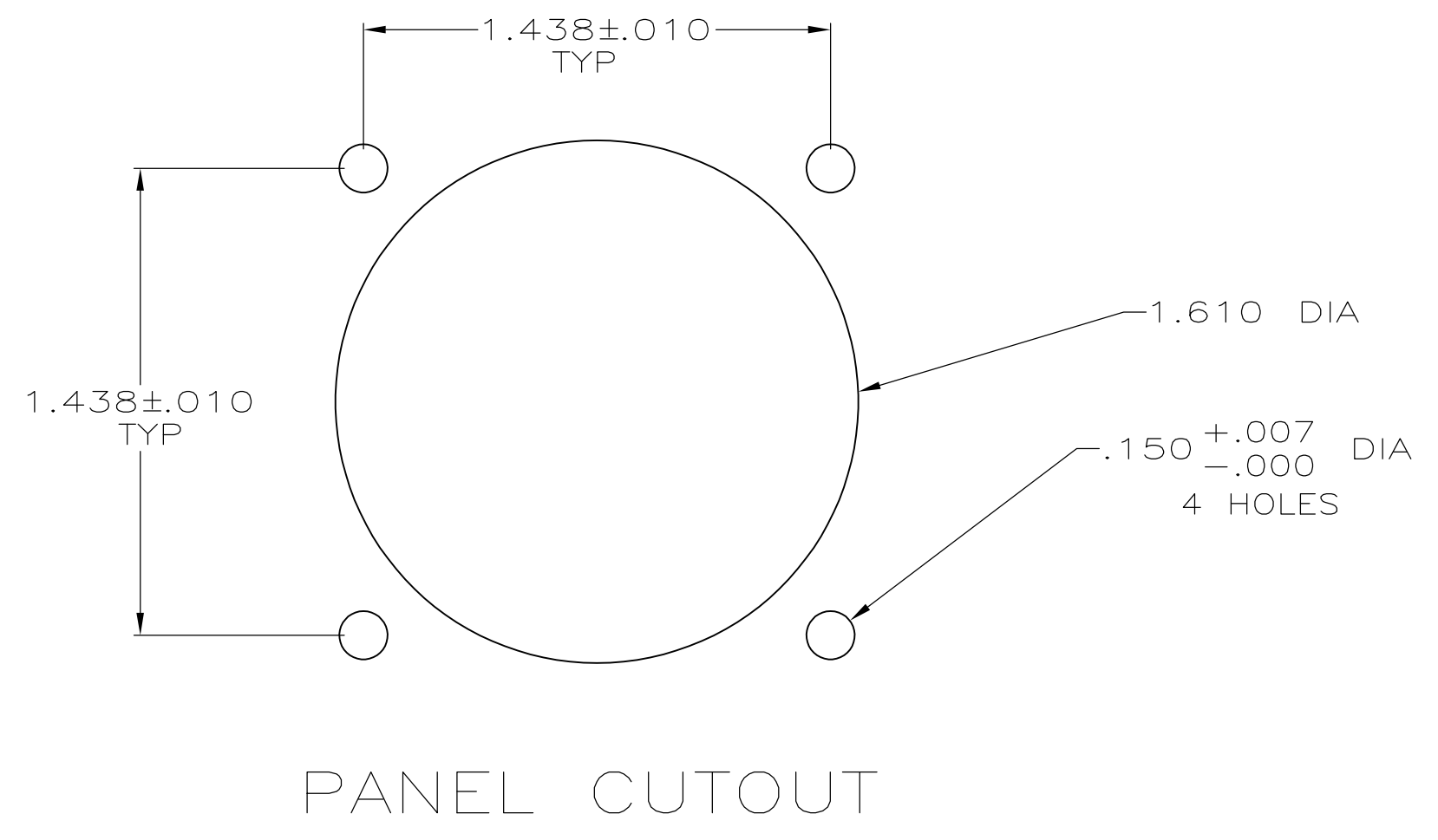
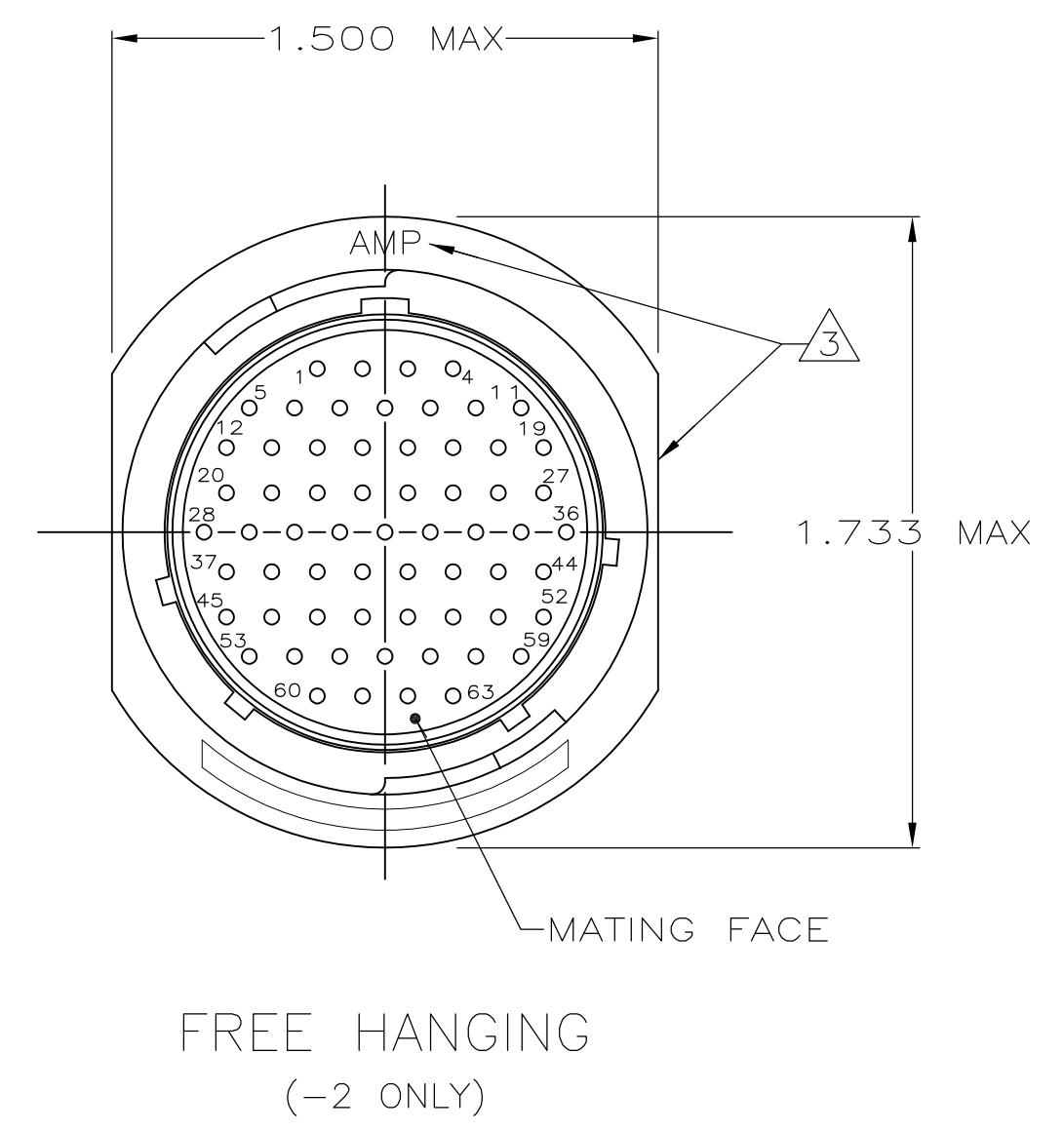
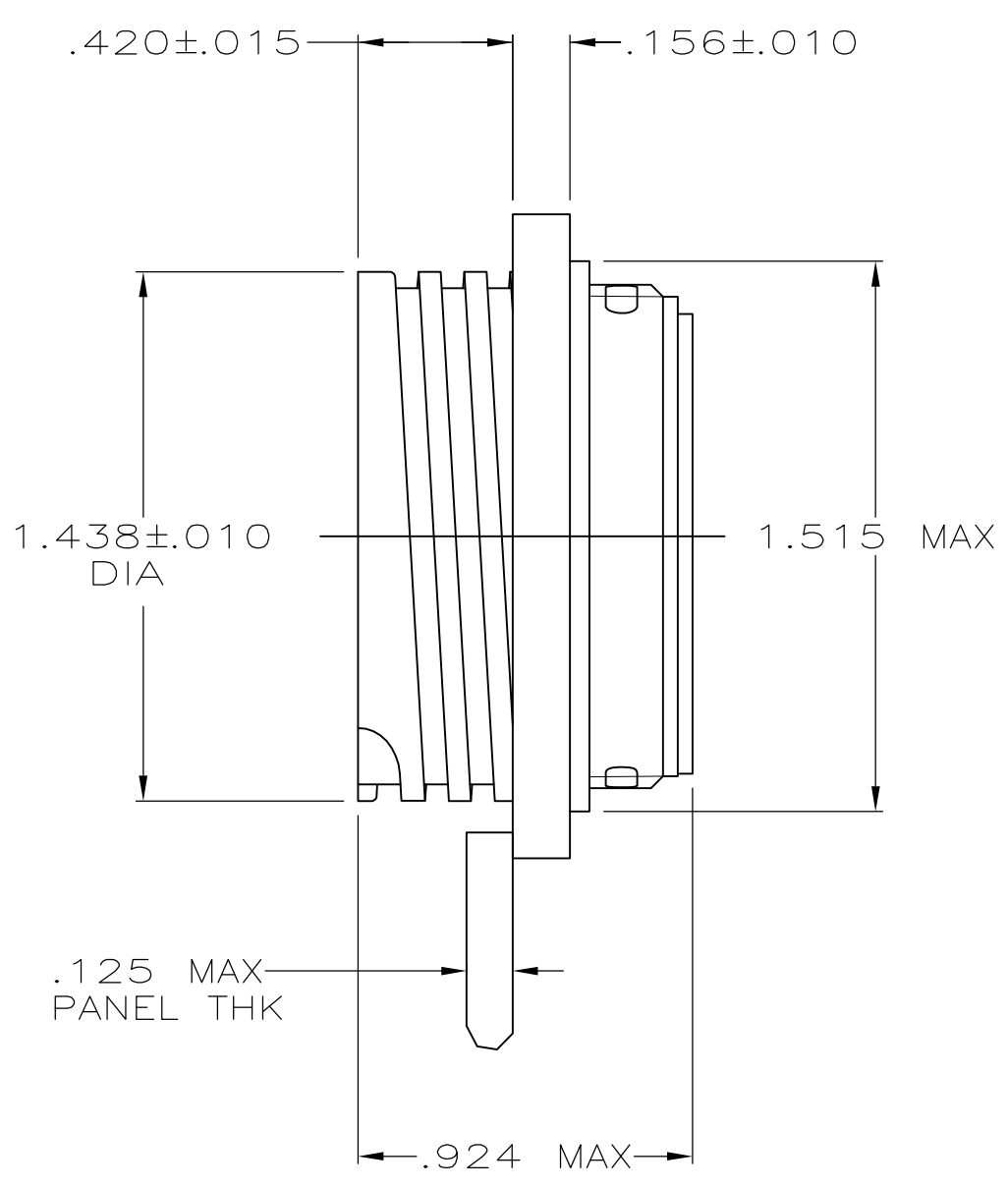
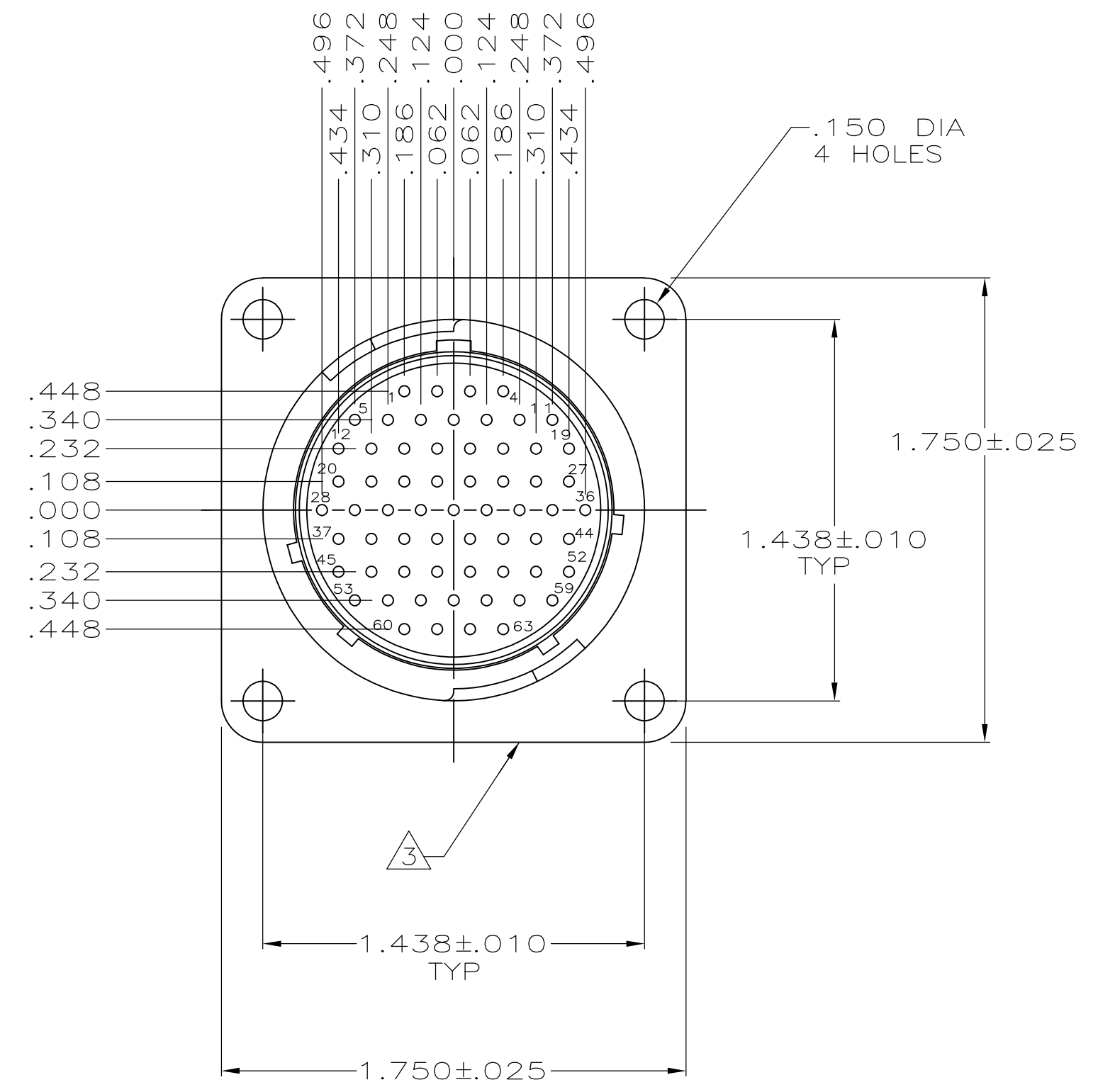


LOC	DIST	REVISIONS					
BD	35	P	LTR	DESCRIPTION	DATE	DWN	APVD
		F1		REVISED PER ECO-11-004917	11MAR11	RK	HMR



- CONTACT CAVITIES IDENTIFIED BY CHARACTERS ON FRONT AND REAR FACES OF CONNECTOR.
- WILL ACCEPT (63) SIZE 20 PIN CONTACTS.
- AMP AND PART NUMBER THIS AREA.
- #4 FASTENER RECOMMENDED FOR MOUNTING.

205843-2
205843-1
PART NUMBER

THIS DRAWING IS A CONTROLLED DOCUMENT.		DWN A.STAUB BG 4/3/91	TE Connectivity					
DIMENSIONS: INCHES		CHK W.G.LENKER 7-24-92						
TOLERANCES UNLESS OTHERWISE SPECIFIED:		APVD K.BEAVER 7-24-92	NAME RECEPTACLE ASSEMBLY, STD SEX, SERIES 2, 23-63, CPC					
0 PLC ± - 1 PLC ± - 2 PLC ± - 3 PLC ± .005 4 PLC ± - ANGLES ± -		PRODUCT SPEC 108-10024	SIZE A2	CAGE CODE 00779	DRAWING NO C-205843	RESTRICTED TO -		
MATERIAL THERMOPLASTIC, BLACK		FINISH -	WEIGHT -		CUSTOMER DRAWING	SCALE 2:1	SHEET 1 OF 1	REV F1

205843